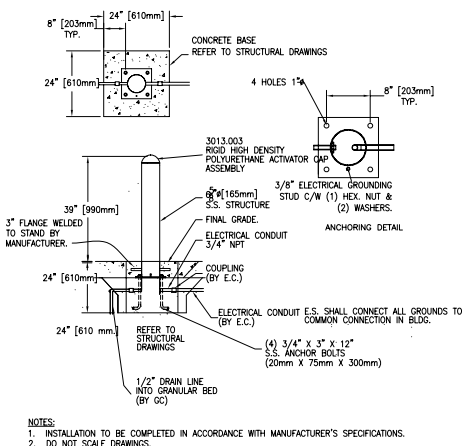
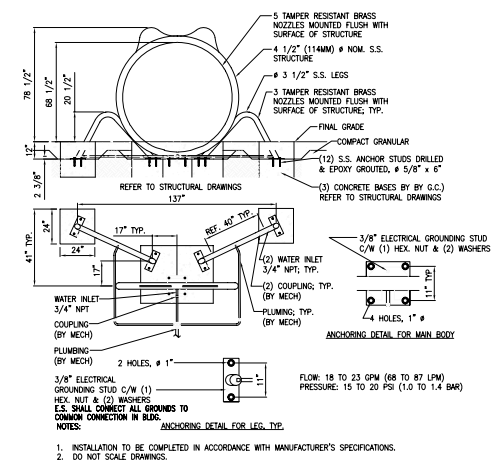


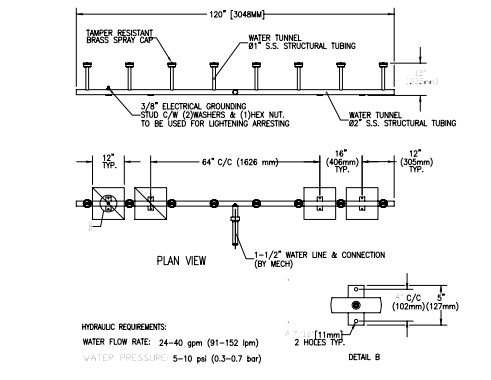
1 BUCKET TRIO
M-2 INSTALLATION DRAWING



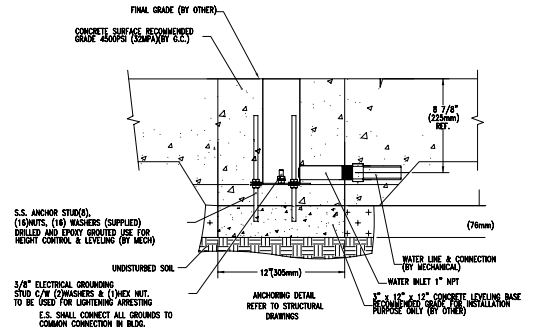
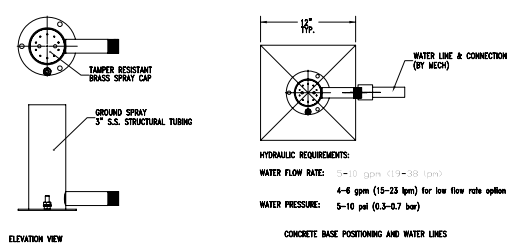
2 MAGIC TOUCH BOLLARD
M-2 INSTALLATION DRAWING



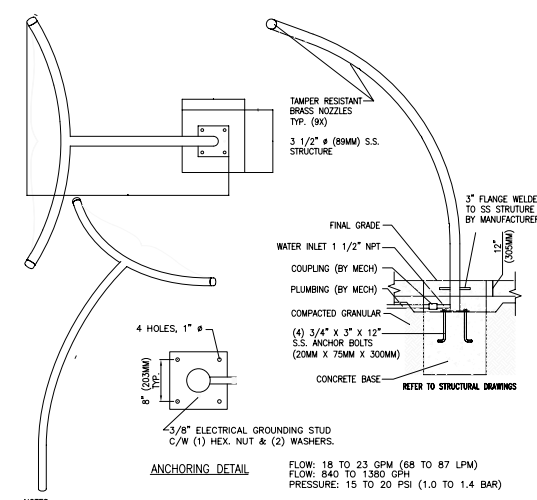
3 BULLFROG
M-2 INSTALLATION DRAWING



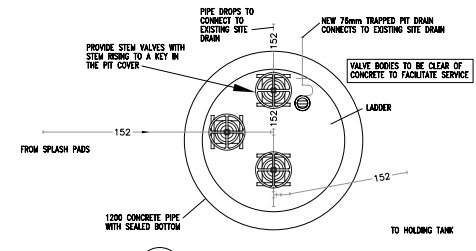
3 WATER TUNNEL VOR-0304.000
M-2 INSTALLATION DRAWING



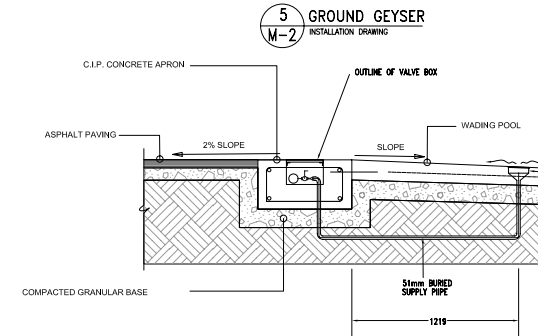
5 GROUND GEYSER
M-2 INSTALLATION DRAWING



6 WHALE TAIL
M-2 INSTALLATION DRAWING

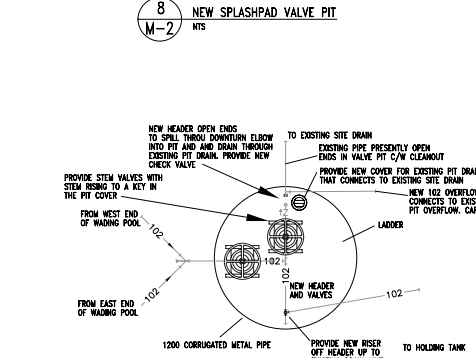


8 NEW SPLASHPAD VALVE PIT
M-2 NTS

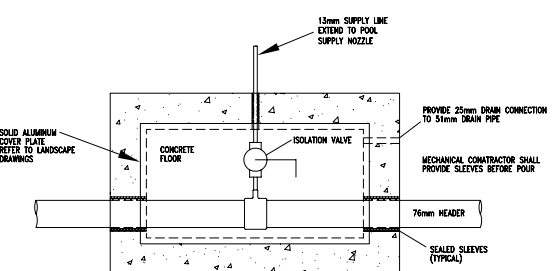


5 GROUND GEYSER
M-2 INSTALLATION DRAWING

7 RETURN FITTING NEAR ZERO ENTRY POOL EDGE
SCALE: N.T.S.



9 EXISTING WADING POOL VALVE PIT
M-2 NTS



10 VALVE BOX FOR POOL SUPPLY NOZZLES (BY OTHERS)
M-2 NTS

THIS DRAWING NOT BE USED.
THE CONTRACTOR SHALL VERIFY ALL DIMENSIONS, SPACING AND LEVELS FROM TO CORROBORATION OF WORK. ALL ERRORS AND OMISSIONS TO BE REPORTED IMMEDIATELY TO THE DESIGNER.
INDICATING A MODIFICATION TO WORK DRAWING OR THESE QUANTITIES SHALL NOT BE CONSIDERED FOR ANY PURPOSES.
THIS DRAWING IS THE EXCLUSIVE PROPERTY OF THE DESIGNER AND NOT BE REPRODUCED OR COPIED WITHOUT THE WRITTEN PERMISSION OF THE DESIGNER. IN NO CASE THE REPRODUCTION MUST BEAR THEIR NAME AS ENGINEERS.

VIMY RIDGE MEMORIAL PARK PLAYGROUND AREA

Product Title

HILDERMAN THOMAS FRANK CRAM

Landscaping Architectures • Planning
504-212-1111
100-1000-1000

FARACI ENGINEERING LTD.
19 MAISON DE W. WINDFALL, MONTREAL, CANADA H3K 0H6
Tel: (514) 948-1000 E-mail: faraciengineering@bell.net

APENM
Certificate of Authorization
Faraci Engineering Ltd.
No. 998 Expiry: April 30, 2006



DETAILS

Drawn By	EJF	Approved	EJF
Scale	1:100	Date	03/03/06
Job No.	0441	Drawn by	M-2