

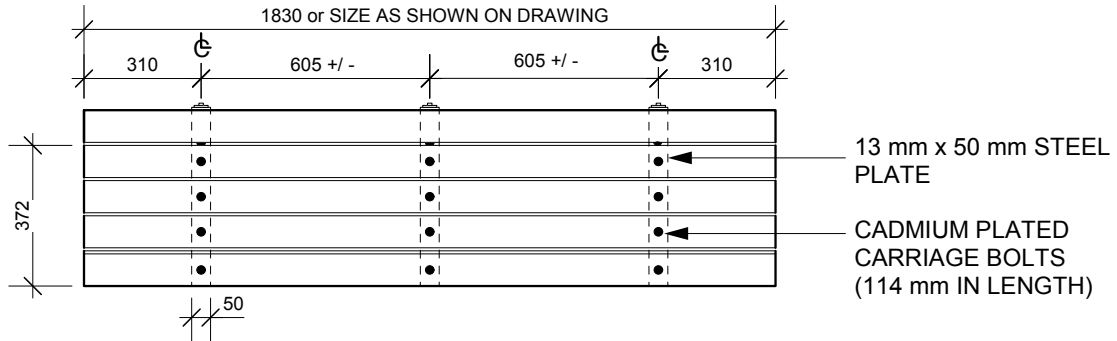
MATERIALS

- BOARDS - 100 X 100 MM RECYCLED BOARD PRODUCT
- METAL FINISH - PRIME WITH RUSTOLEUM no.769. FINISH WITH SAPOLIN BLACK WROUGHT FINISH

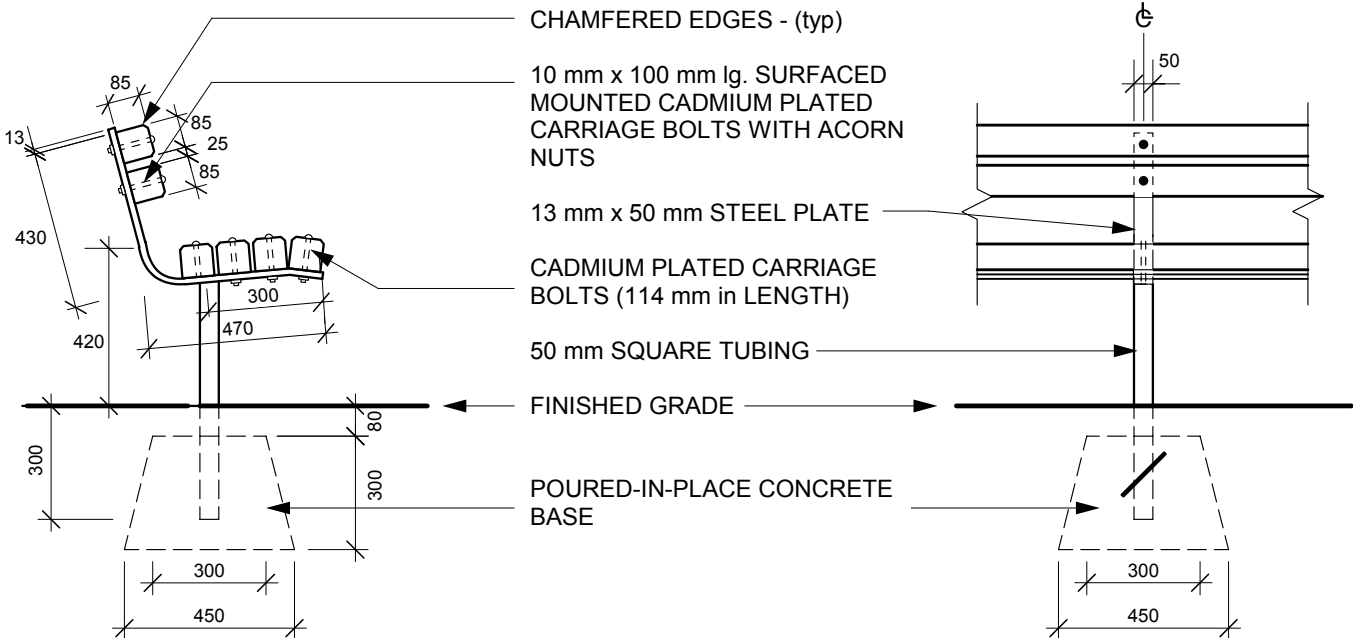
TITLE

TACHE STYLE BENCH - RECYCLED BOARDS

SCDP - 1



PLAN VIEW



SIDE ELEVATION

FRONT ELEVATION

NOTE: ALL DIMENSIONS SHOWN ARE IN MILLIMETERS

1:20
DATE : JUNE 2005
DRAWN BY: SV/DB

THE CITY OF WINNIPEG
Planning, Property and Development Department
Planning and Land Use Division
Unit 15 - 10 Fort Street, Winnipeg, MB, R3C 4X5

