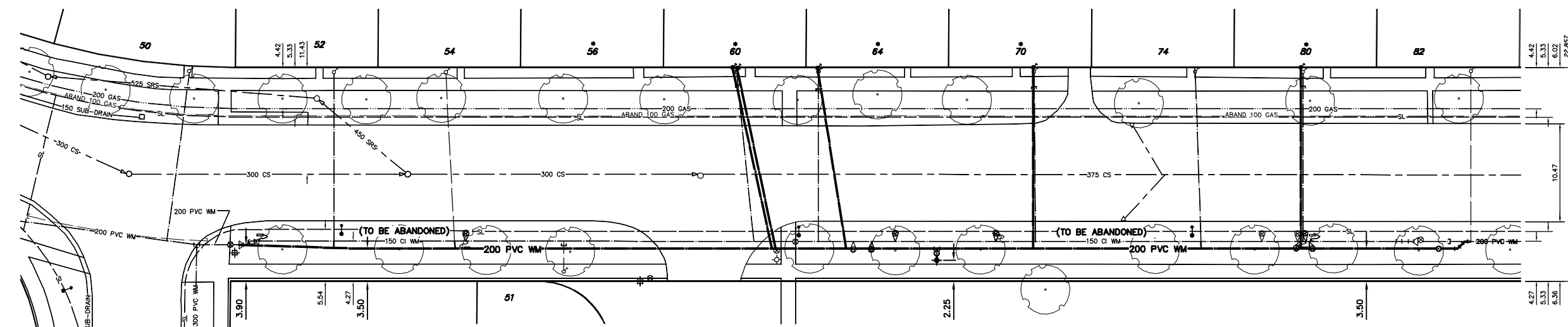


CONSTRUCTION NOTES

1. EXPOSE EXISTING WATERMAIN & CONFIRM INVERTS PRIOR TO CONSTRUCTION.
2. CONFIRM LOCATION OF ALL SERVICES IN THE FIELD.
3. INSTALL WATERMAIN BY TRENCHLESS METHODS.
4. TRENCHES AND EXCAVATIONS WITHIN 1 METRE OF A PAVED AREA INCLUDING SIDEWALKS SHALL BE CLASS 3 BACKFILL.
5. ALL MATERIALS SHALL CONFORM TO THE CITY OF WINNIPEG STANDARD CONSTRUCTION SPECIFICATIONS.
6. MINIMUM COVER TO TOP OF WATERMAIN SHALL BE 2.4 m.
7. REPLACE ALL EXISTING LEAD SERVICES FROM PROPOSED WATERMAIN TO R.
8. NOTIFY ALL AFFECTED RESIDENTS AND BUSINESSES 24 HOURS IN ADVANCE OF ANY WATER SHUTDOWNS OR DISRUPTION OF SERVICE.

NOTE: CHAINAGES SHOWN ARE ALONG E. R. OF BALMORAL ST.

BALMORAL STREET



WATER SERVICE INFORMATION

ADDRESS	SIZE(mm) & TYPE (STREET)	SIZE(mm) & TYPE (PROP)	SHORT & LONG MEASUREMENT	CORP. LOCATION	REMARKS
50 BALMORAL ST RESIDENTIAL	20 COPPER	13 LEAD	3.96 SNL HSE	OPP S/C	SEWER JCT MEAS 49.38 S 2ND MH S BROADWAY
51 BALMORAL ST RESIDENTIAL	20 COPPER	13 LEAD	5.79 NSL HSE	OPP S/C	SEWER JCT MEAS 10.67 S 2ND MH S BROADWAY
52 BALMORAL ST RESIDENTIAL	20 COPPER	13 LEAD	0.61 OFF P	OPP S/C	-
54 BALMORAL ST RESIDENTIAL	20 COPPER	13 LEAD	3.51 SNL HSE	OPP S/C	-
54 BALMORAL ST RESIDENTIAL	20 COPPER	13 LEAD	10.67 NNL MOSTYN	OPP S/C	-
56 BALMORAL ST RESIDENTIAL	20 LEAD	13 LEAD	4.57 NSL HSE	1.83 N OF S/C	SEWER JCT MEAS 19.81 S 2ND MH S BROADWAY
56 BALMORAL ST RESIDENTIAL	20 LEAD	13 LEAD	21.09 SSL WHITEHALL	1.83 N OF S/C	DBL SERV W/ #60 RENEW W/ 20 COPPER
60 BALMORAL ST RESIDENTIAL	20 LEAD	13 LEAD	3.51 NSL OF #60	1.83 N OF S/C	DBL SERV W/ #60 RENEW W/ 20 COPPER
60 BALMORAL ST RESIDENTIAL	20 LEAD	13 LEAD	216.71 SSL BROADWAY	1.83 N OF S/C	DBL SERV W/ #60 RENEW W/ 20 COPPER

WATER SERVICE INFORMATION

ADDRESS	SIZE(mm) & TYPE (STREET)	SIZE(mm) & TYPE (PROP)	SHORT & LONG MEASUREMENT	CORP. LOCATION	REMARKS
64 BALMORAL ST RESIDENTIAL	20 COPPER	20 COPPER	0.30 NSL HSE	OPP S/C	RENEW W/ 20 COPPER
70 BALMORAL ST RESIDENTIAL	13 LEAD	13 LEAD	2.44 NNL OF WHITEHALL	0.15 N OF S/C	RENEW W/ 20 COPPER
70 BALMORAL ST RESIDENTIAL	13 LEAD	13 LEAD	2.74 SNL OF GELLAR	0.15 N OF S/C	RENEW W/ 20 COPPER
74 BALMORAL ST RESIDENTIAL	20 COPPER	20 COPPER	25.45 NNL OF WHITEHALL	43.28 N WHITEHALL	SEWER JCT MEAS 58.06 S 1ST MH S BROADWAY
80 BALMORAL ST RESIDENTIAL	20 COPPER	20 COPPER	167.64 SSL OF BROADWAY	OPP S/C	RENEW W/ 20 COPPER
80 BALMORAL ST RESIDENTIAL	20 LEAD	20 LEAD	3.66 NSL HSE	OPP S/C	RENEW W/ 20 COPPER
82 BALMORAL ST RESIDENTIAL	20 COPPER	20 COPPER	4.21 SNL HSE	OPP S/C	CONN. TO NEW MAIN/56 SEWER JCT MEAS 28.35 S 1ST MH S BROADWAY

*SERVICES TO BE RENEWED TO R. ALL OTHERS TO BE RECONNECTED

*SERVICES TO BE RENEWED TO R. ALL OTHERS TO BE RECONNECTED

METRIC
WHOLE NUMBERS INDICATE MILLIMETRES
DECIMALIZED NUMBERS INDICATE METRES

WARNING
IF POWER EQUIPMENT OR EXPLOSIVES ARE TO BE USED FOR EXCAVATION ON THIS PROJECT THE CONTRACTOR MUST:
1) NOTIFY THE GAS COMPANY OF THE PROPOSED LOCATION OF EXCAVATION.
2) TAKE PRECAUTION TO AVOID DAMAGE TO GAS COMPANY INSTALLATIONS.
SEE PROVINCIAL REGULATION 210/72 FOR DETAILS



200 WM	WATERMAIN	200 WM	SL, HYDRO	150 WM	WATERMAIN	150 WM	LOCATION APPROVED
⊕	HYDRANT	⊕	MTS	⊕	HYDRANT	⊕	UNDERGROUND STRUCTURES
⊙	VALVE	⊙	TRAFFIC SIGNALS	⊙	VALVE	⊙	
525 LDS	LAND DRAINAGE SEWER	525 LDS	GAS	50 GAS	300 LDS	300 LDS	
375 WWS	WASTEWATER SEWER	375 WWS	SURVEY BAR	250 WWS	WASTEWATER SEWER	250 WWS	
○	MANHOLE	●	FENCE	⊗	PROFILE	⊗	
□	CATCH BASIN	■	POLE - HYDRO, MTS	⊘	GROUND ABOVE PIPE	⊘	
▽	CURB INLET	▽	CURB STOP	⊙			
∇	REDUCER	∇	GUY ANCHOR				
X	COUPLING	X	LIGHT STANDARD				
⊕	ANODE	⊕	TREE				
EXISTING	LEGEND-PLAN	PROPOSED	EXISTING	LEGEND-PLAN	PROPOSED	EXISTING	LEGEND-PROFILE

B.M. ELEV.	FIELD BOOK #:
POSTED TO LBS	
SUPV. U/G STRUCTURES COMMITTEE	DATE
NOTE:	
LOCATION OF UNDERGROUND STRUCTURES AS SHOWN ARE BASED ON THE BEST INFORMATION AVAILABLE BUT NO GUARANTEE IS GIVEN THAT ALL EXISTING UTILITIES ARE SHOWN OR THAT THE GIVEN LOCATIONS ARE EXACT. CONFIRMATION OF EXISTENCE AND EXACT LOCATION OF ALL SERVICES MUST BE OBTAINED FROM THE INDIVIDUAL UTILITIES BEFORE PROCEEDING WITH CONSTRUCTION.	
NO. REVISIONS	DATE BY

CITY OF WINNIPEG
WATER AND WASTE
ENGINEERING DIVISION

DESIGNED BY: SC
CHECKED BY: TW
DRAWN BY: CJH/PB
APPROVED BY: KZ

HOR. SCALE: 1:250
VERTICAL: 1:50

RELEASED FOR CONSTRUCTION

DATE: 2005 06 09

ENGINEER'S SEAL
ORIGINAL SIGNED BY K.R. ZUREK 05/06/09

THE CITY OF WINNIPEG
WATER AND WASTE DEPARTMENT

2005 WATERMAIN RENEWALS

BALMORAL STREET
MOSTYN PLACE TO 140 m N OF MOSTYN PLACE

SHEET 1 OF 16
CITY DRAWING NUMBER
D-8722

BID OPPORTUNITY: 244-2005
FILENAME: D-8722_BALMORAL.dwg
PLOT DATE: 2005 06 09