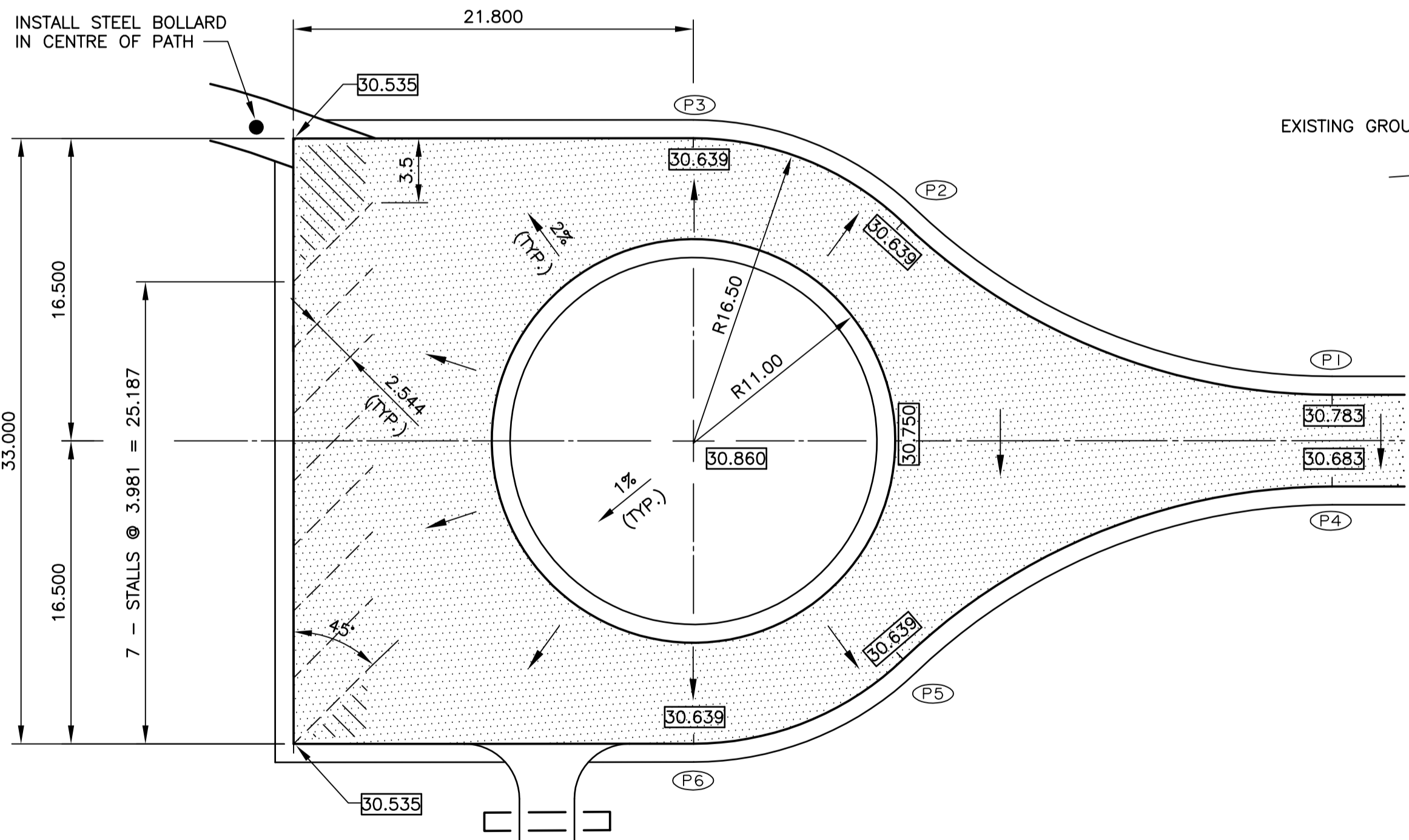
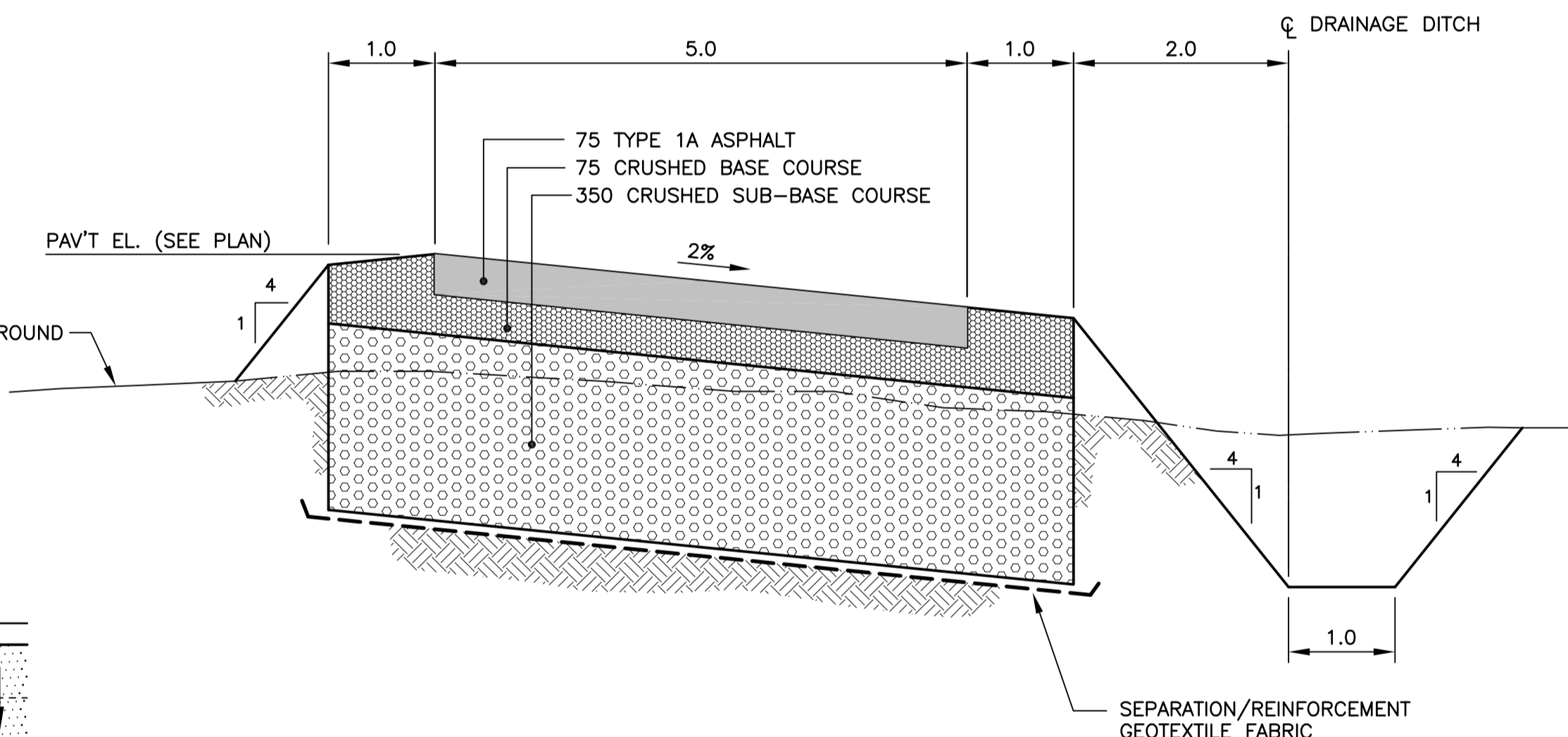


PEDESTRIAN PATH DETAIL
 SCALE 1 : 500

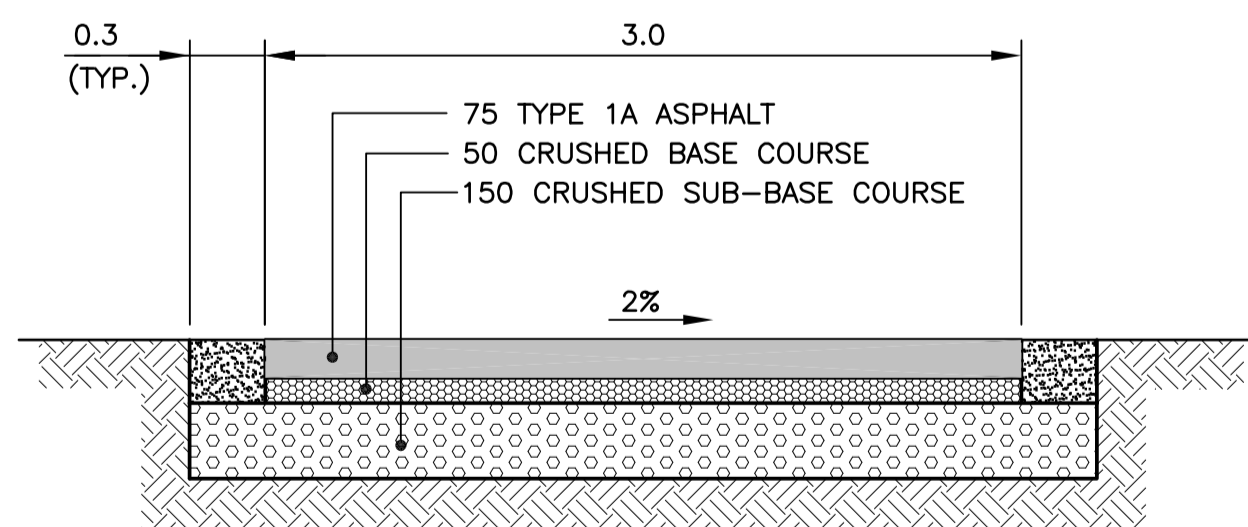
FROM POINT	TO POINT	TYPE	RADIUS (m)	Δ	LENGTH (m)
(P1)	(P2)	ARC	33.796	43d48'33"	25.841
(P2)	(P3)	ARC	16.500	43d48'33"	12.616
(P4)	(P5)	ARC	32.796	43d48'33"	25.076
(P5)	(P6)	ARC	16.500	43d48'33"	12.616



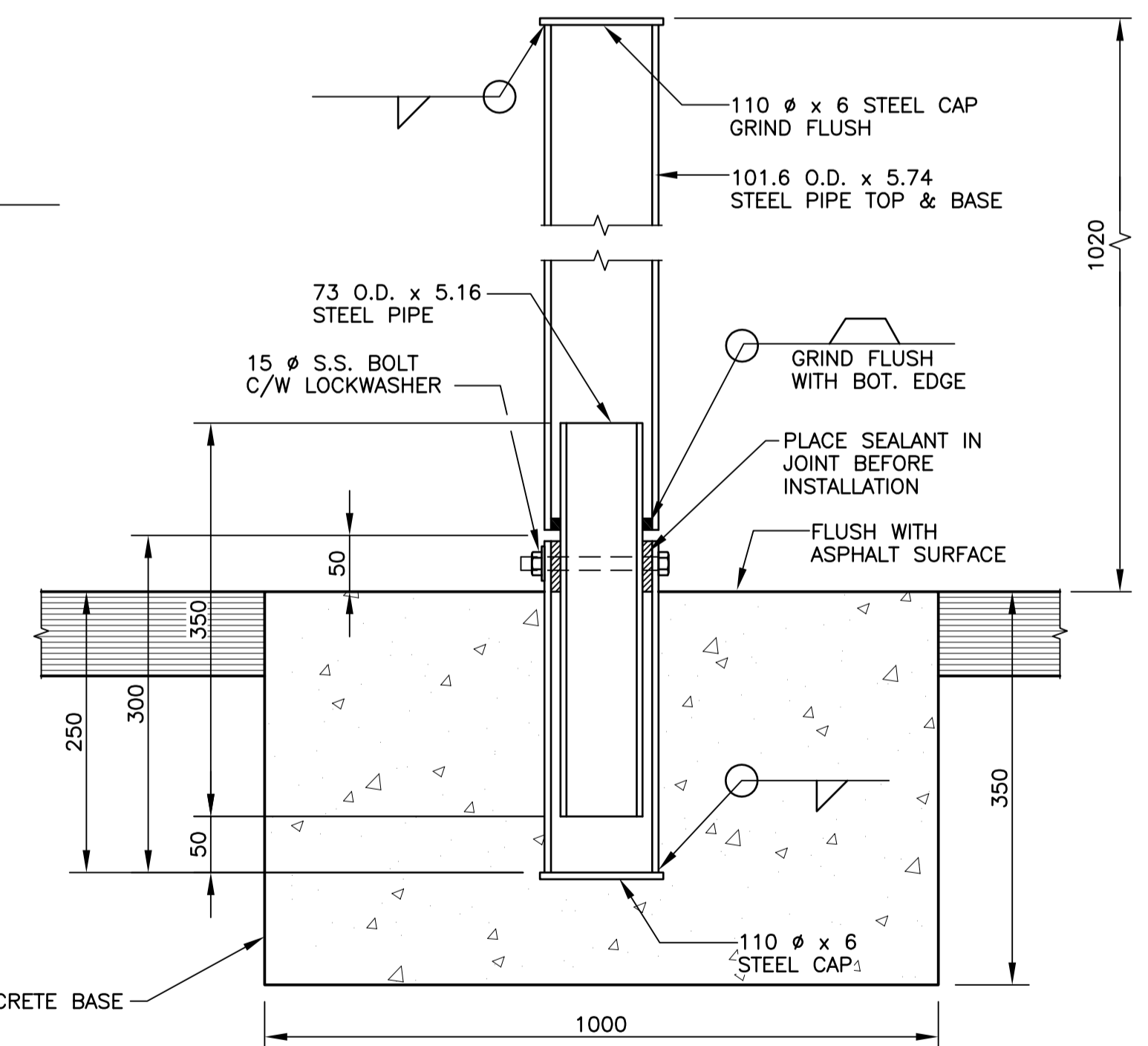
PARKING/TURN AROUND DETAIL
 SCALE 1 : 250



SECTION A-A
 SCALE 1 : 50



SECTION B-B
 SCALE 1 : 50



STEEL BOLLARD DETAIL
 N.T.S.

NOTE:
 ALL STEEL TO BE HOT DIPPED GALVANIZED TO CSA G164.

150 mm W.M.	WATERMAIN	150 mm W.M.	HYDRO	150 mm W.M.	WATERMAIN	150 mm W.M.
⊗	HYDRANT VALVE	⊗	M.T.S.	+	HYDRANT VALVE	+
⊗	LAND DRAINAGE SEWER	⊗	CONCRETE	⊗	LAND DRAINAGE SEWER	⊗
⊗	WASTE WATER SEWER	⊗	ASPHALT	⊗	WASTE WATER SEWER	⊗
○	MANHOLE	●	PROPERTY LINE	⊗	PROPERTY LINE	⊗
□	CATCH BASIN	■	SURVEY BAR	⊗	PROPERTY LINE	⊗
▽	CURB INLET	■	SURVEY VALVE	⊗	PROPERTY LINE	⊗
⊕	JUNCTIONS	⊕	I.P.S.	⊗	PROPERTY LINE	⊗
⊕	CULVERT	⊕	BUILDING	⊗	PROPERTY LINE	⊗
⊕	GAS	⊕	DRAINAGE DITCH	⊗	PROPERTY LINE	⊗
---	EXISTING	---	EXISTING	---	EXISTING	---
---	LEGEND-PLAN	---	PROPOSED	---	LEGEND-PLAN	---
---	---	---	---	---	LEGEND-PROFILE	---
---	---	---	---	---	---	---

UNDERGROUND STRUCTURES
 N/A
 SUPV. U/G STRUCTURES COMMITTEE DATE

NOTE:
 LOCATION OF UNDERGROUND STRUCTURES AS SHOWN ARE BASED ON THE BEST INFORMATION AVAILABLE. BUT NO GUARANTEE IS GIVEN THAT ALL EXISTING UTILITIES ARE SHOWN OR THAT THE GIVEN LOCATIONS ARE EXACT. CONFIRMATION OF EXISTENCE AND EXACT LOCATION OF ALL SERVICES MUST BE OBTAINED FROM THE INDIVIDUAL UTILITIES BEFORE PROCEEDING WITH CONSTRUCTION.

84R714 - S. SIDE ST. MICHAEL RD. E. OF W. LEG
 B.M. OF TRACEY CRES.
 ELEV. 232.735m

NO.	REVISIONS	DATE	BY

DESIGNED BY	D. WIEBE
DRAWN BY	S. BOTTING
CHECKED BY	
APPROVED BY	
HOR. SCALE	AS NOTED
VERTICAL	AS NOTED
DATE	APRIL 1, 2005

DILLON CONSULTING

RELEASED FOR CONSTRUCTION

ENGINEER'S SEAL
 PROVINCE OF MANITOBA
 ORIGINAL STAMPED BY
D.B. WIEBE
 Member
 REGISTERED PROFESSIONAL ENGINEER

CONSULTANT PROJECT NO.
 03-2678-2000

THE CITY OF WINNIPEG
 PLANNING, PROPERTY AND DEVELOPMENT

Winnipeg

ST. VITAL CEMETERY SITE EXPANSION
 PATH LAYOUT AND MISCELLANEOUS DETAILS

CITY DRAWING NUMBER
 SHEET **3** OF **3**
 BID OPPORTUNITY
 250-2005