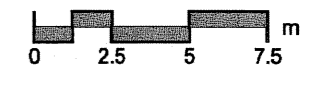
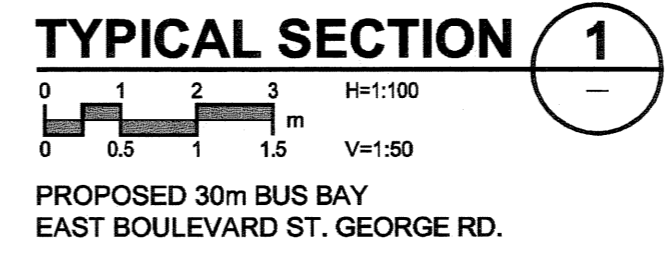
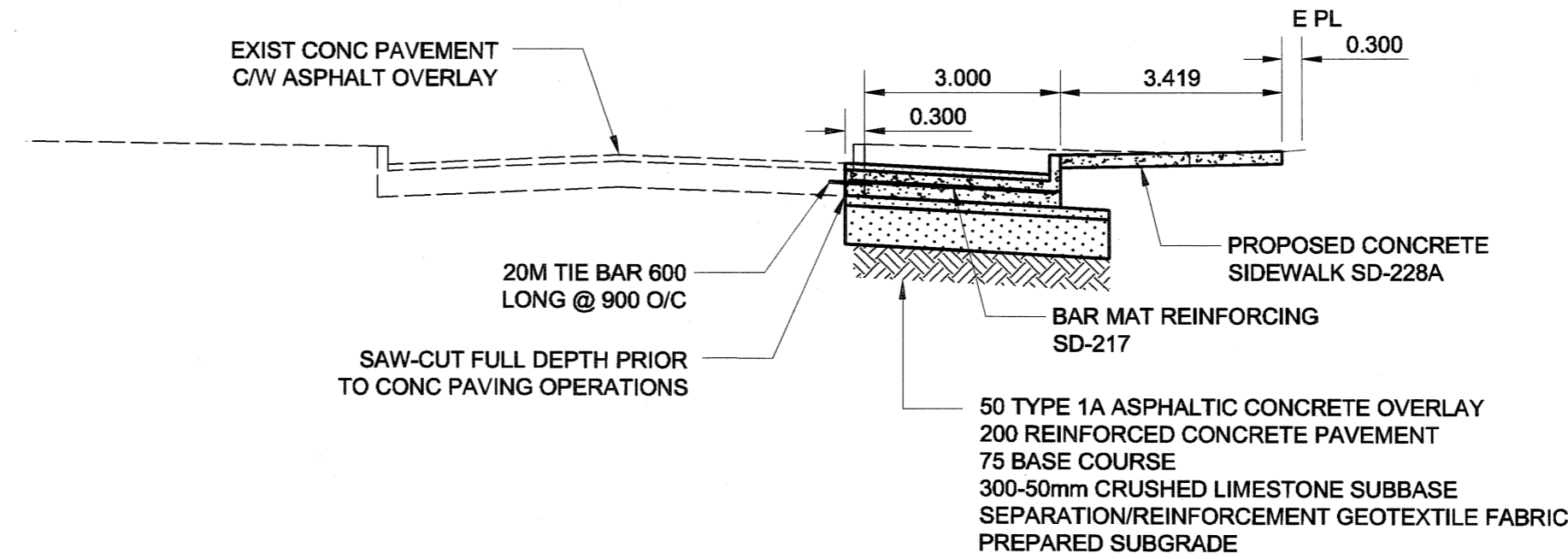


GEOMETRY TABLE			
POINT	DESCRIPTION	STATION	OFFSET
1	PC	0+901.736	0.000
2	PRC	0+905.705	1.500R
3	PT	0+909.673	3.000R
4	PC	0+939.673	3.000R
5	PRC	0+943.642	1.500R
6	POT	0+947.611	0.000

CIRCULAR CURVE DATA				
CURVE	LENGTH	RADIUS	DELTA	TANGENT
C1	4.336	6.000	41°24'35"	2.268
C2	4.336	6.000	41°24'35"	2.268
C3	4.336	6.000	41°24'35"	2.268
C4	4.336	6.000	41°24'35"	2.268

LOCAL PROJECT COORDINATE CONTROL				
DESCRIPTION	STATION	OFFSET	NORTHING	EASTING
Control Line	0+890	0.000	10559.0386	10094.5676
Control Line	0+960	0.000	10627.8738	10081.8512
Survey Bar	1+000	-14.086	10664.6494	10060.7331
Survey Bar	1+067.942	6.276	10735.1604	10068.4139

NOTE:
 1. CONTROL LINE SITUATED ALONG EXISTING EAST B.O.C. ST. GEORGE RD.
 2. DRAWING HAS A SCALE FACTOR OF 1.040818 APPLIED TO LBIS INFORMATION TO MATCH LOCAL PROJECT COORDINATES.



APEGM
 Certificate of Authorization
 UMA Engineering Ltd.
 No. 256 Expiry: April 30, 2006

BID OPPORTUNITY NO. 252-2005

METRIC
 WHOLE NUMBERS INDICATE MILLIMETRES
 DECIMALIZED NUMBERS INDICATE METRES

NO.	REVISIONS	DATE	BY
B	ISSUED FOR CONSTRUCTION	05/06/30	DID
A	ISSUED FOR CLIENT REVIEW	05/04/25	DID

DESIGNED BY	CHECKED BY	APPROVED BY	RELEASED FOR CONSTRUCTION
JGK	[Signature]	[Signature]	[Signature]
DRAWN BY	DID		
HOR. SCALE	1:250		
VERT. SCALE	N/A		
DATE	05/06/30		DATE June 27/05

PROFESSIONAL'S SEAL
 PROVINCE OF MANITOBA
 J.G. KENNEDY
 Member
 22326
 JUN 23/05
 REGISTERED PROFESSIONAL ENGINEER
 CONSULTANT DRAWING NO. 01
 0265-372-00

PLANNING, PROPERTY & DEVELOPMENT DEPARTMENT
 CITY OF WINNIPEG
PEDESTRIAN SAFETY ENHANCEMENT PROJECT
 ST. GEORGE SCHOOL BUS BAY

CITY DRAWING NUMBER N/A
 SHEET 1 OF 1
 REV 01 B

EXISTING	LEGEND - PLAN	NEW	EXISTING	LEGEND - PLAN	NEW	EXISTING	LEGEND - PLAN	NEW
	GAS		MANHOLE		CONCRETE PAVEMENT		LOCATION APPROVED	
	MTS		CATCH BASIN / CATCH PIT		ASPHALT PAVEMENT		UNDERGROUND STRUCTURES	
	HYDRO		C & G INLET WITH BOX		CONC. SIDEWALK/MED. SLAB		SUPR. U/G STRUCTURES	DATE COMMITTEE
	CATV		TREE		PAVING STONE		NOTE:	LOCATION OF UNDERGROUND STRUCTURES AS SHOWN ARE BASED ON THE BEST INFORMATION AVAILABLE. BUT NO GUARANTEE IS GIVEN THAT ALL EXISTING UTILITIES ARE SHOWN OR THAT THE GIVEN LOCATIONS ARE EXACT. CONFIRMATION OF EXISTENCE AND EXACT LOCATION OF ALL SERVICES MUST BE OBTAINED FROM THE INDIVIDUAL UTILITIES BEFORE PROCEEDING WITH CONSTRUCTION.
	TRAFFIC SIGNALS		TEST HOLE		TOPSOIL & SOD			
	LAND DRAINAGE SEWER		PROPERTY LINE		GRAVEL			
	SANITARY/COMBINED SEWER		SURVEY BAR		RAMP CURB			
	CATCHBASIN LEAD		FENCE		REMOVAL			
	WATERMAIN		BACK OF CURB					
	SUBDRAIN		ELEVATION					
	DITCH							