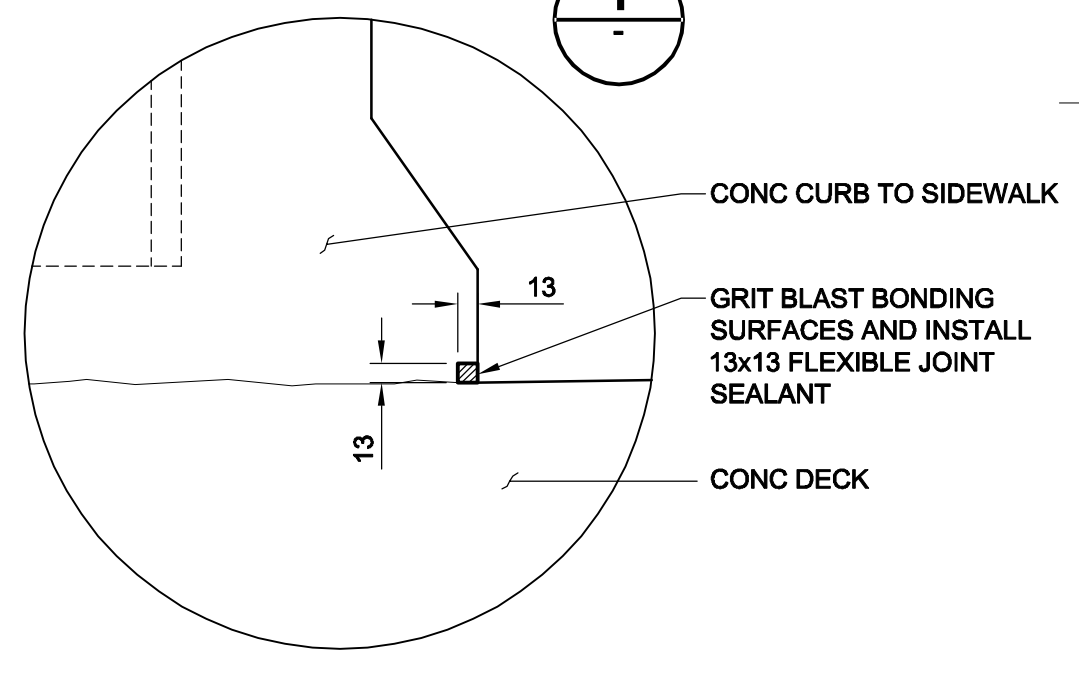
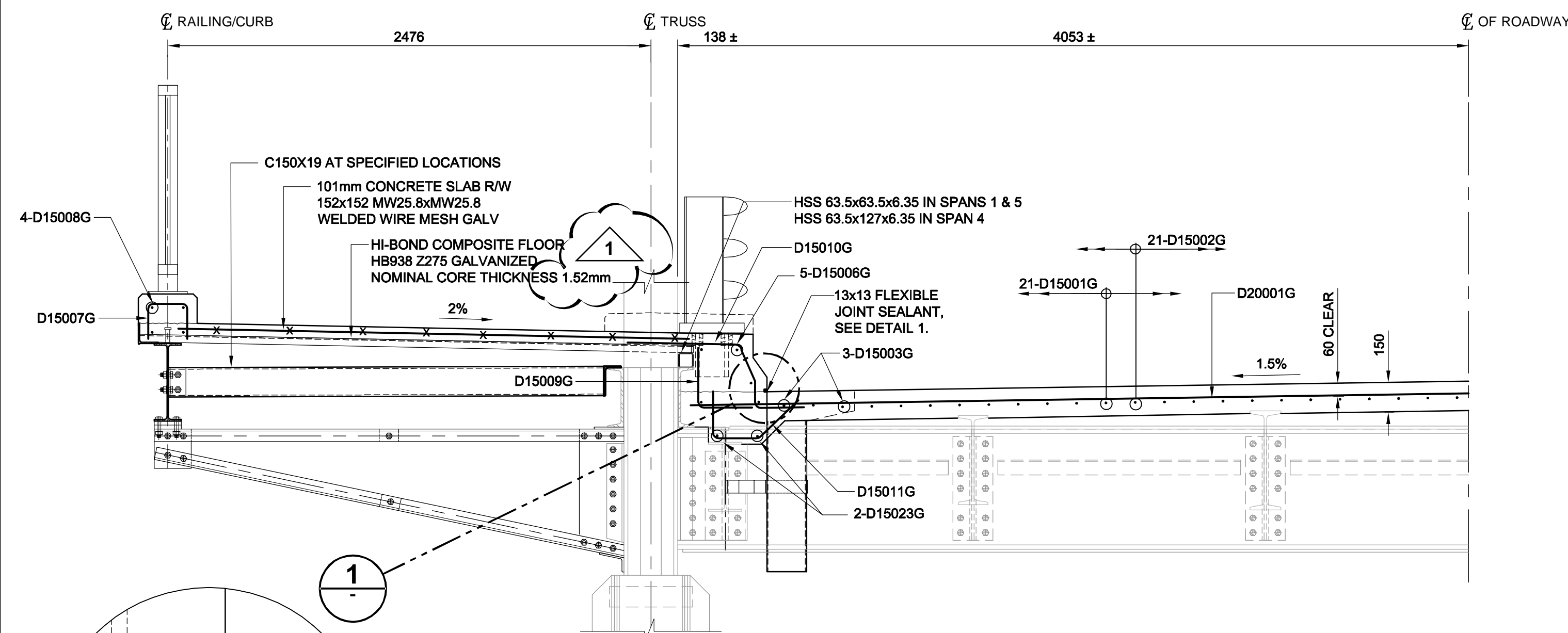
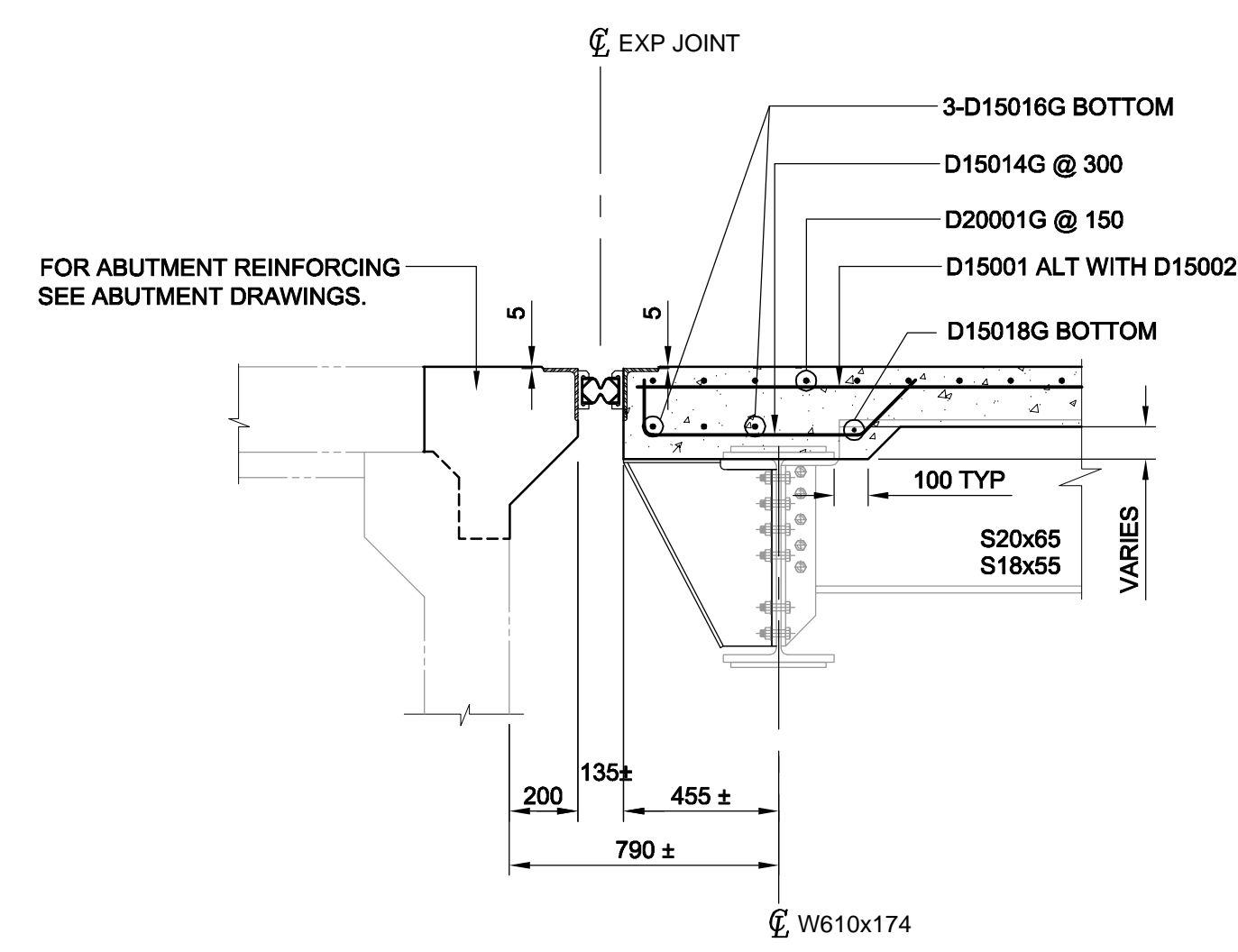


D SIZE 22" x 34" (559mm x 864mm)

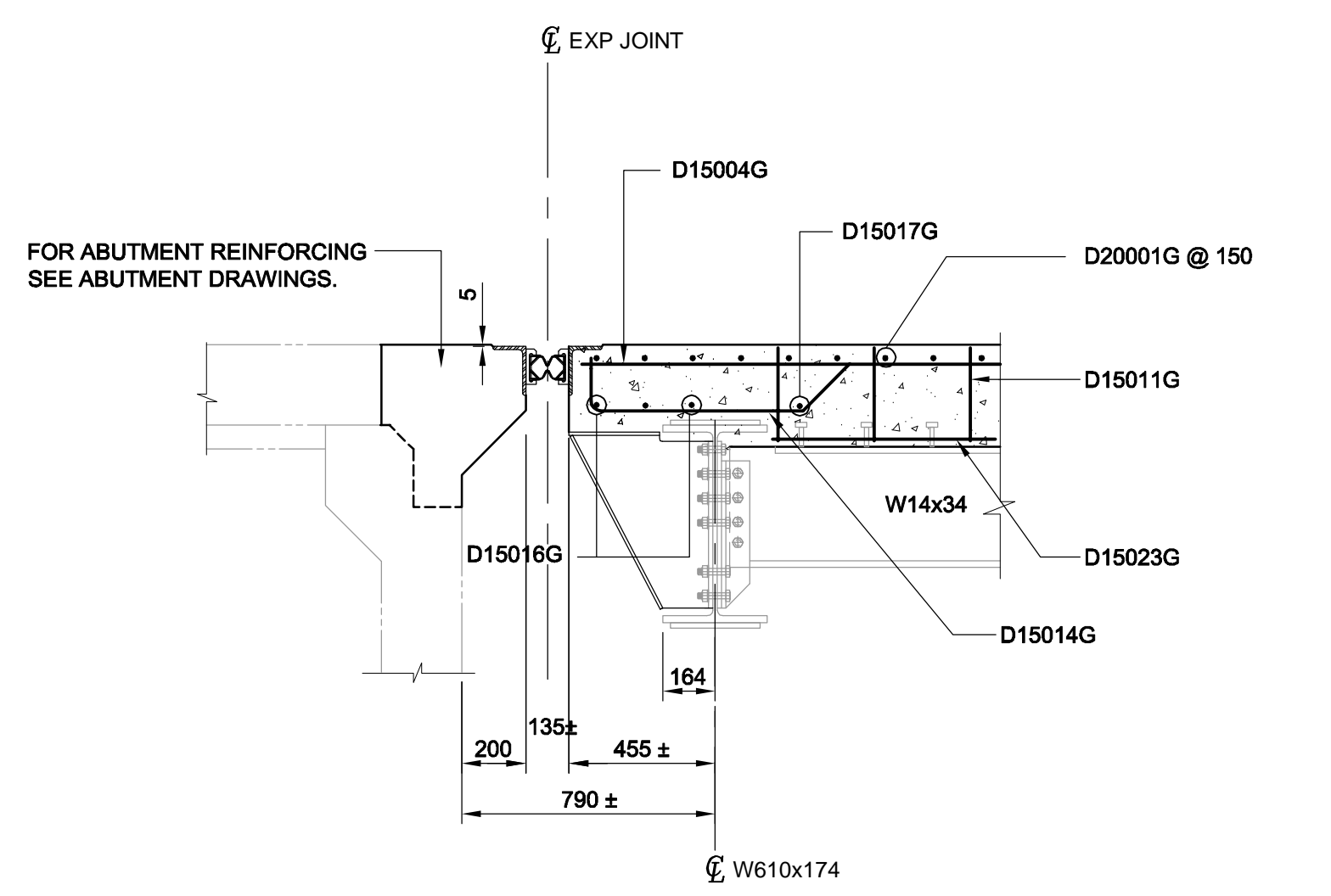


**SECTION A**  
SCALE 1:20  
TYPICAL OF ALL SPANS

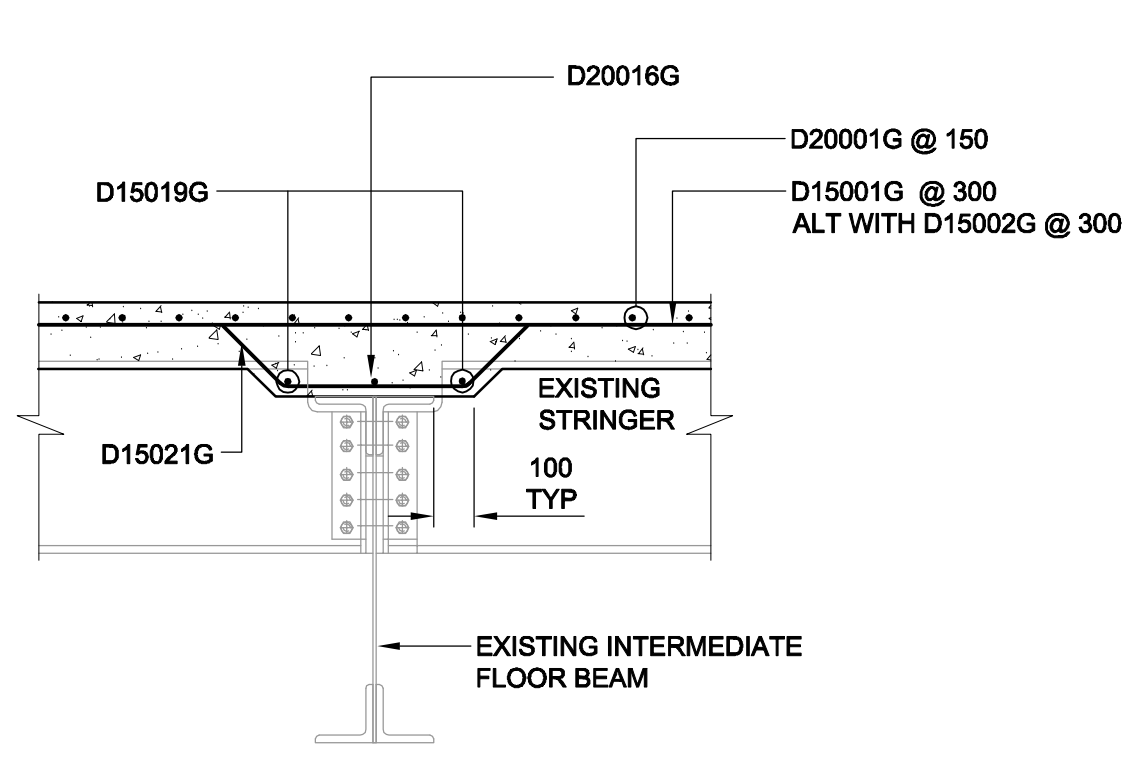
**DETAIL 1**  
SCALE 1:5



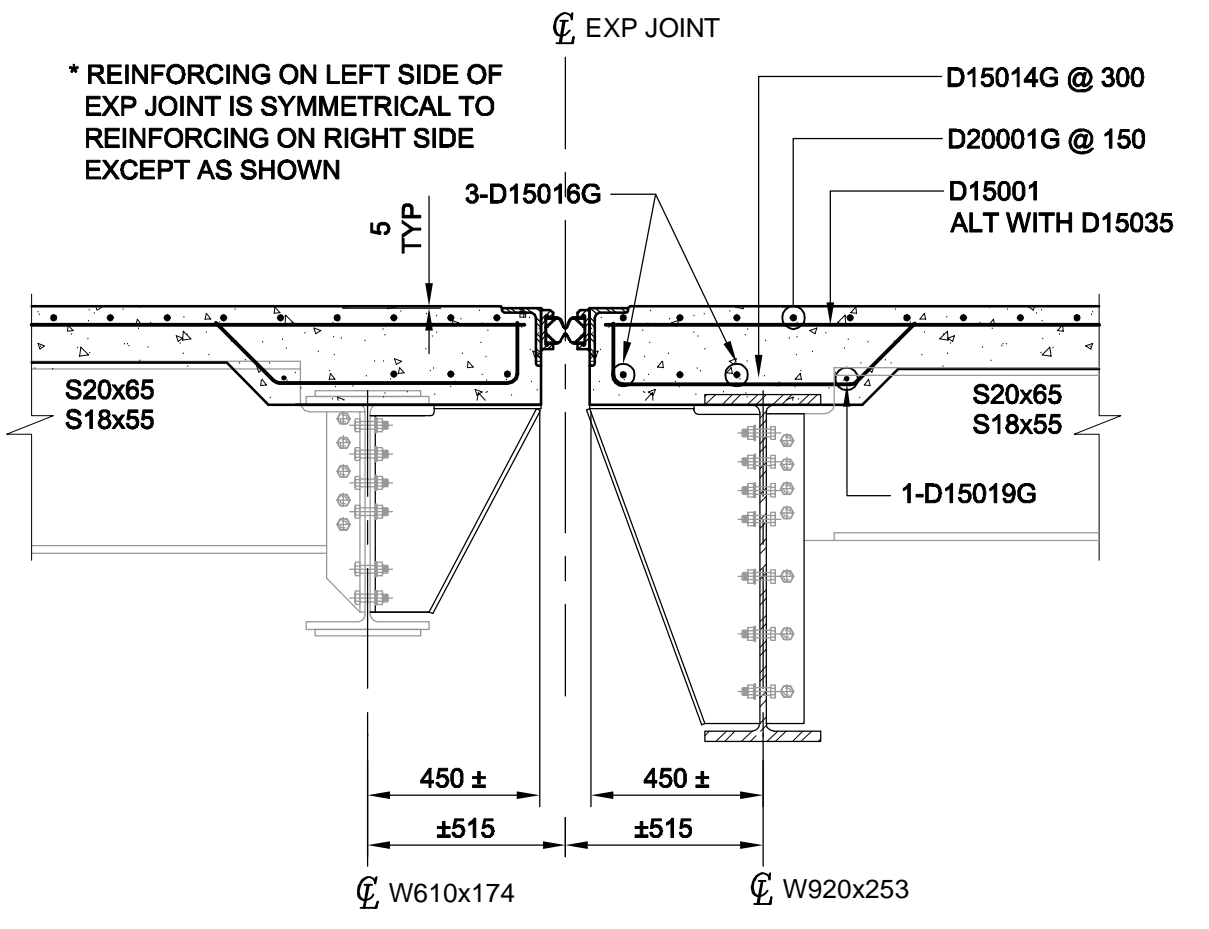
**SECTION B**  
SCALE 1:20  
WEST ABUTMENT  
EAST ABUTMENT SIMILAR  
EXCEPT OPPOSITE HAND



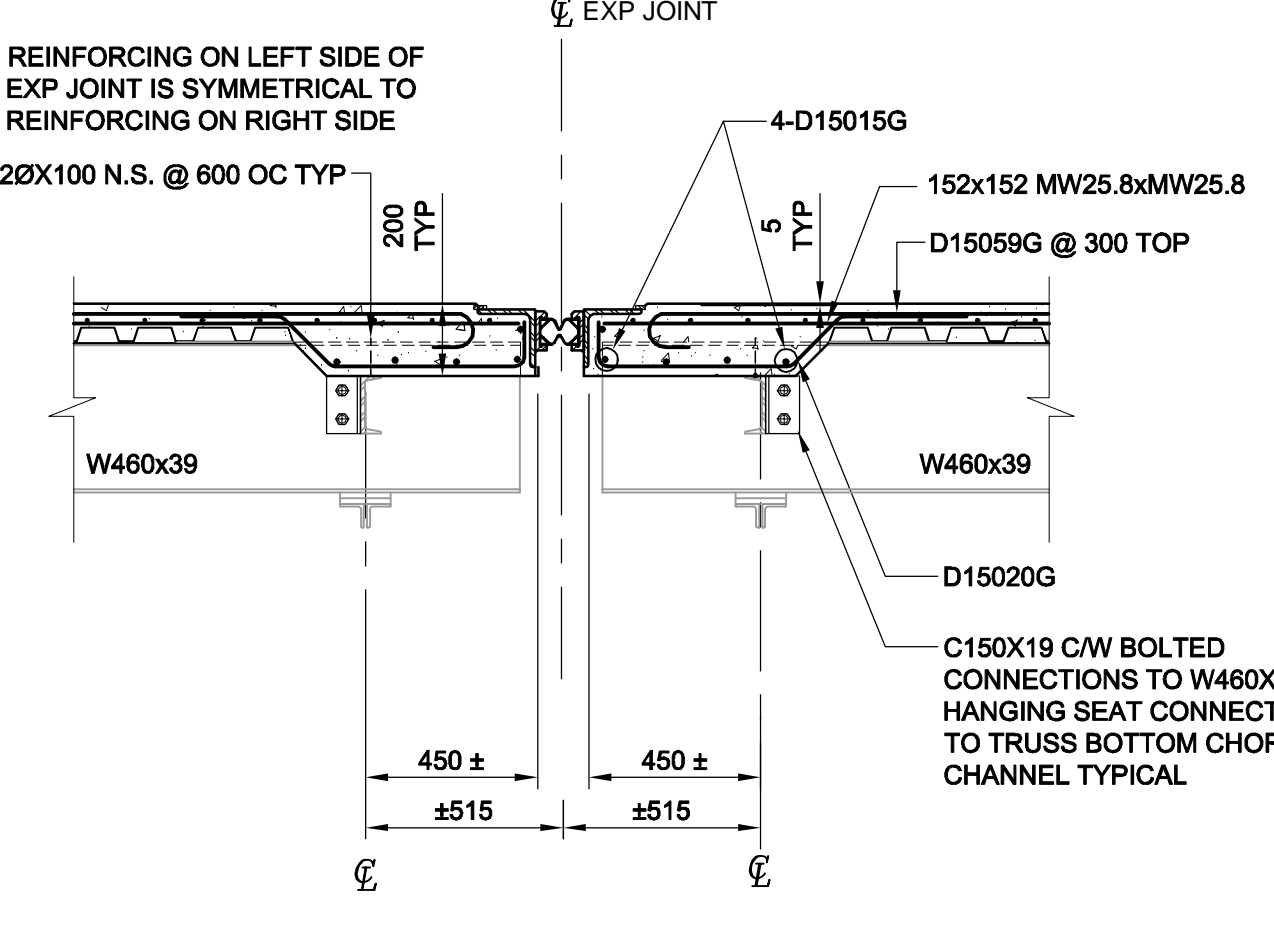
**SECTION C**  
SCALE 1:20  
WEST ABUTMENT  
EAST ABUTMENT SIMILAR  
EXCEPT OPPOSITE HAND



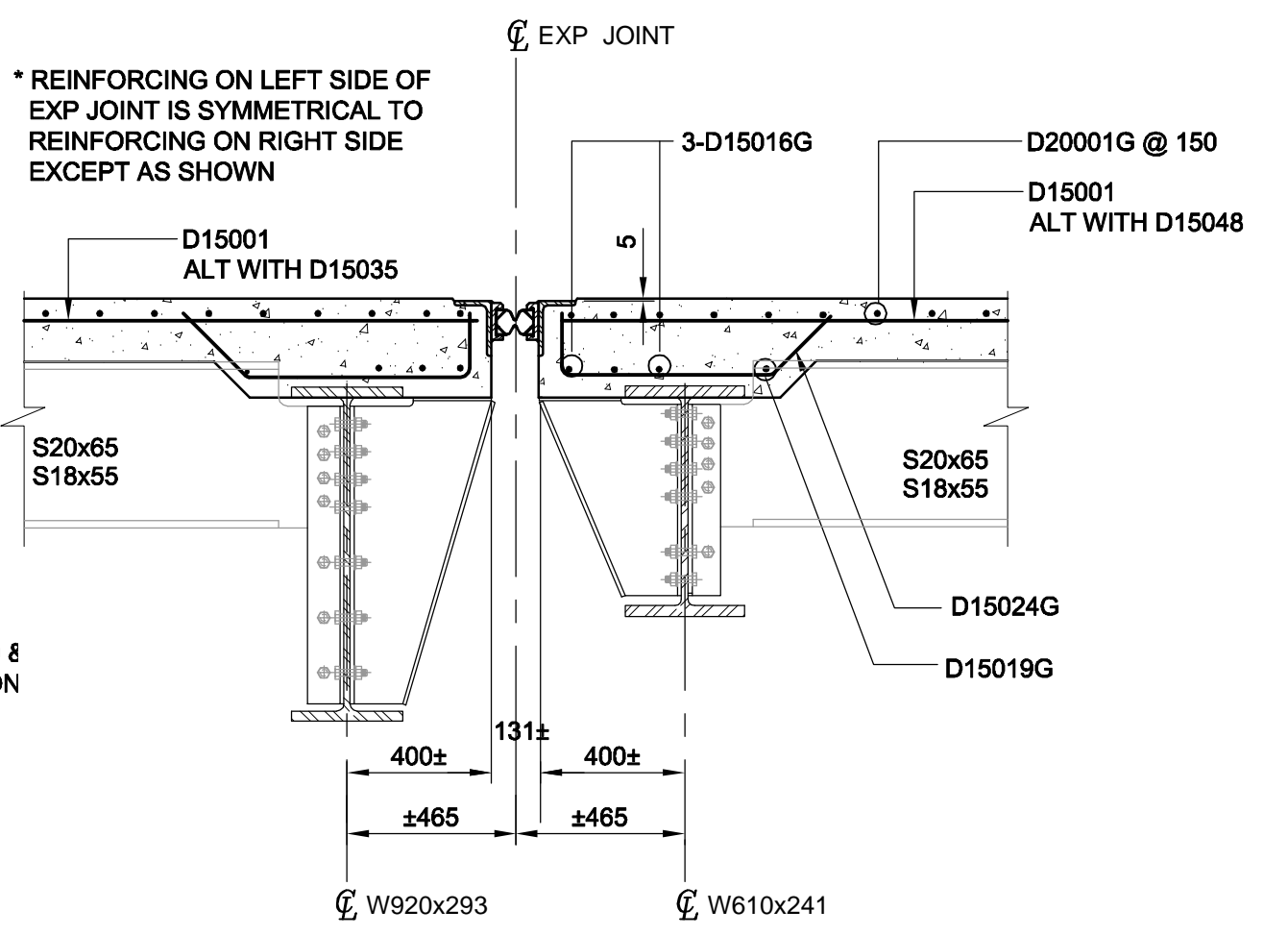
**SECTION D**  
SCALE 1:20  
TYPICAL INTERIOR EXISTING BEAM



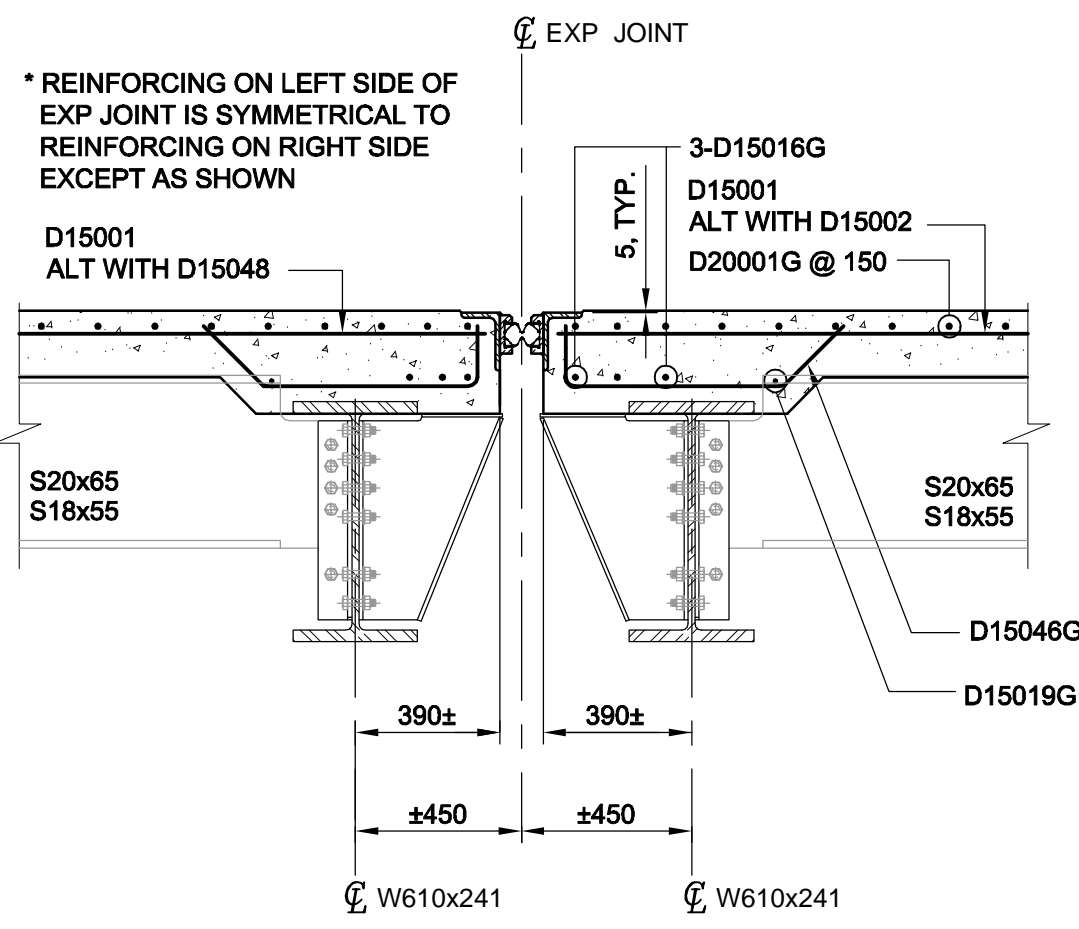
**SECTION E**  
SCALE 1:20  
PIER #2



**SECTION F**  
SCALE 1:20  
SECTION THROUGH SIDEWALK



**SECTION G**  
SCALE 1:20  
PIER #4



**SECTION H**  
SCALE 1:20  
PIER #5

**NOTE:**  
ALL DIMENSIONS SHOWN ON THE DRAWINGS ARE BASED ON AVAILABLE INFORMATION AND RECORD DRAWINGS. THE CONTRACTOR SHALL FIELD MEASURE AND VERIFY ALL DIMENSIONS PRIOR TO COMMENCING CONSTRUCTION OR PRIOR TO PREPARATION OF SHOP DRAWINGS. THE CONTRACTOR SHALL MAKE THE APPROPRIATE ADJUSTMENTS TO THE APPLICABLE DETAILS AND DIMENSIONS ACCEPTABLE TO THE CONTRACT ADMINISTRATOR. THE CONTRACTOR SHALL THEN FABRICATE AND CONSTRUCT THE WORKS IN ACCORDANCE WITH THE CORRECTED DIMENSIONS.

**METRIC**  
WHOLE NUMBERS INDICATE MILLIMETRES  
DECIMALIZED NUMBERS INDICATE METRES



|             |           |             |   |   |  |
|-------------|-----------|-------------|---|---|--|
|             |           |             | <b>UMA Engineering Ltd.</b><br><small>* Consulting * Engineering * Construction * Management Services</small> |   |  |
| DESIGNED BY | BLL       | CHECKED BY  | SBB   | ENGINEER'S SEAL   |  |
| DRAWN BY    | VK        | APPROVED BY |   | REVISION 0, ISSUED FOR CONSTRUCTION WAS SEALED BY B.L. LAU AND DATED 05/07/06 |  |
| HOR. SCALE  | AS SHOWN  | ACCEPTED BY |   | CONSULTANT DRAWING NO. 42   |  |
| VERT. SCALE | AS SHOWN  | DATE        |   | 0265-376-00   |  |
| NO.         | REVISIONS | DATE        | BY  |   |  |

Bid Opportunity No. 257-2005

**THE CITY OF WINNIPEG  
PUBLIC WORKS DEPARTMENT**

**REDWOOD BRIDGE  
REHABILITATIVE MAINTENANCE AND  
RELATED WORKS  
DECK SLAB REINFORCING  
DETAILS I**

CITY DRAWING NUMBER  
B113-05-42

SHEET 42 OF 74

REV 42

PLOT SCALE 1:1  
AutoCAD 15:06 P:\0265\355-03\AutoCAD\5-1\Working Drawings\0265-355-03\_01-5-0042\_RK.dwg 2003-08-20 3:00pm CCC