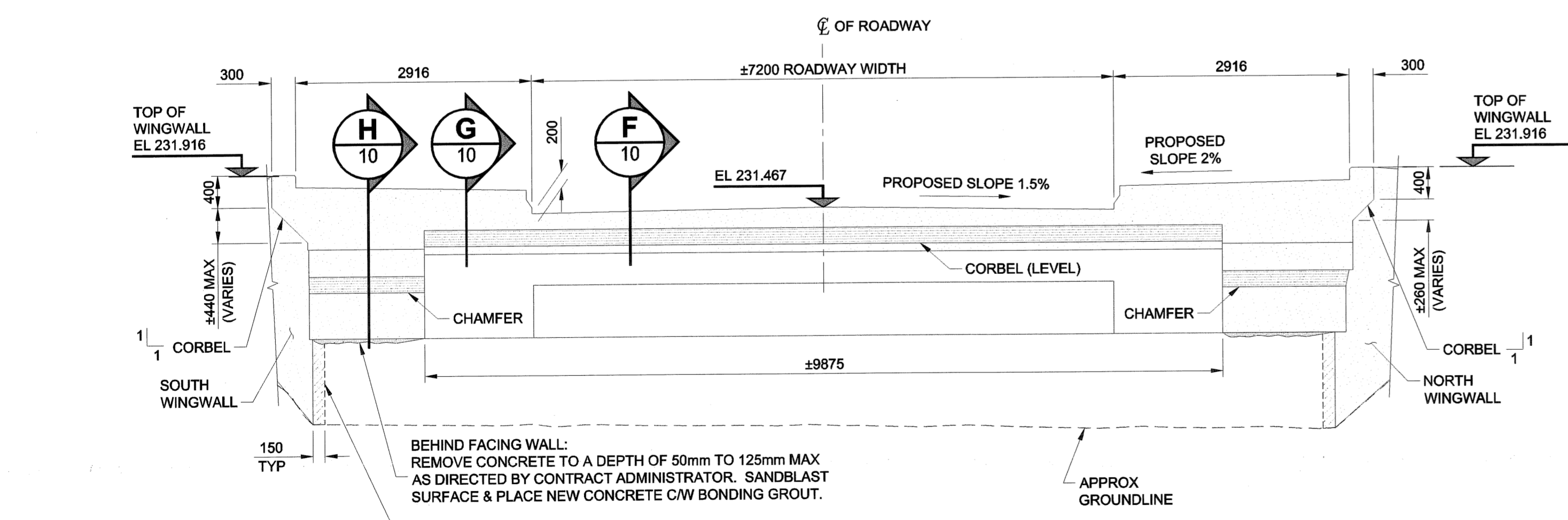


**WEST ABUTMENT PLAN**

SCALE 1:50  
0 500 1000 1500 mm

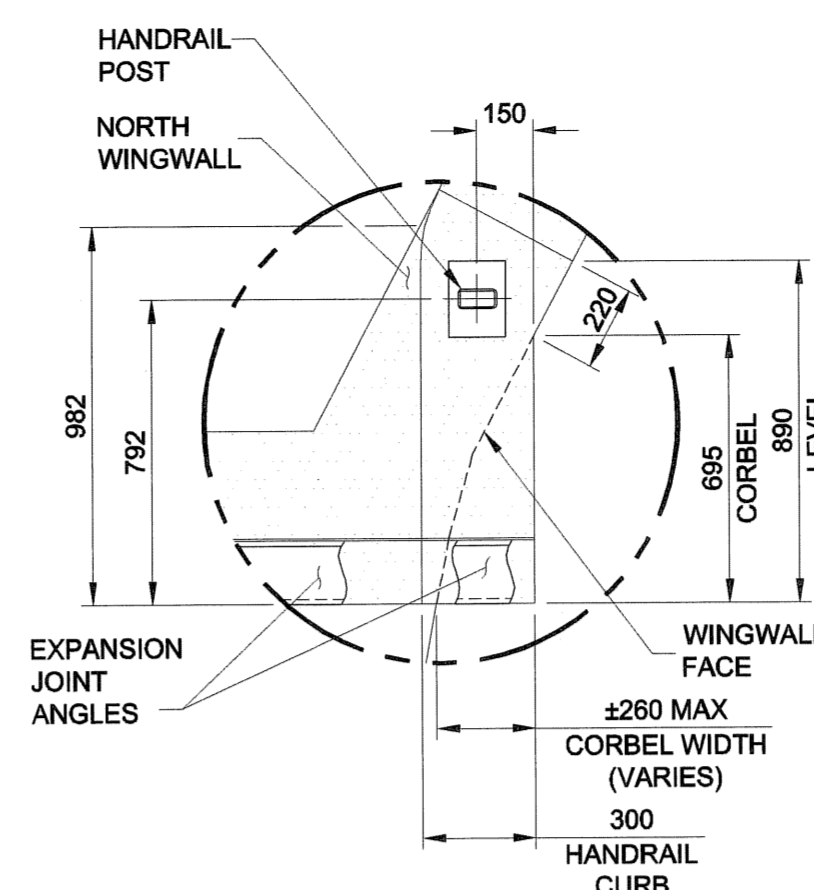
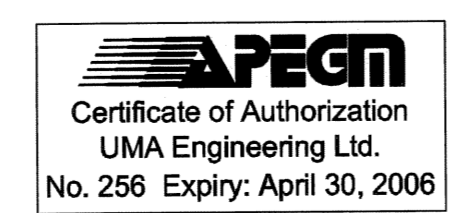


**ELEVATION C**

SCALE 1:50  
0 500 1000 1500 mm

WEST ABUTMENT PROPOSED CONCRETE DETAILS

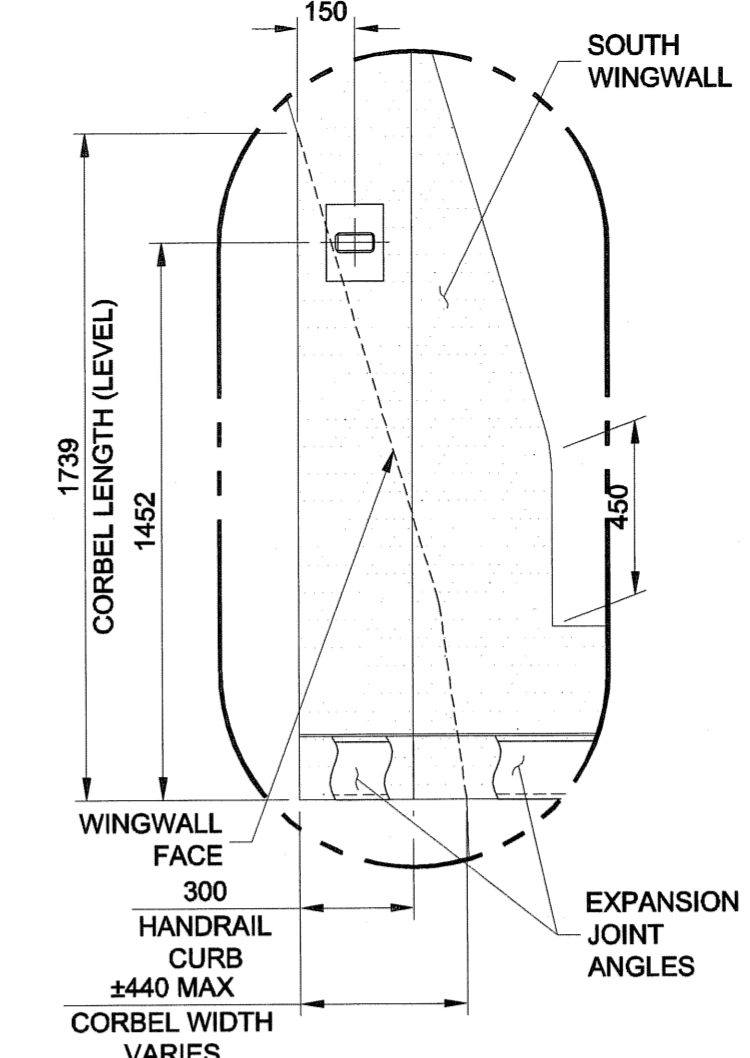
**METRIC**  
WHOLE NUMBERS INDICATE MILLIMETRES  
DECIMALIZED NUMBERS INDICATE METRES



**DETAIL 1**

SCALE 1:20  
0 200 400 600 mm

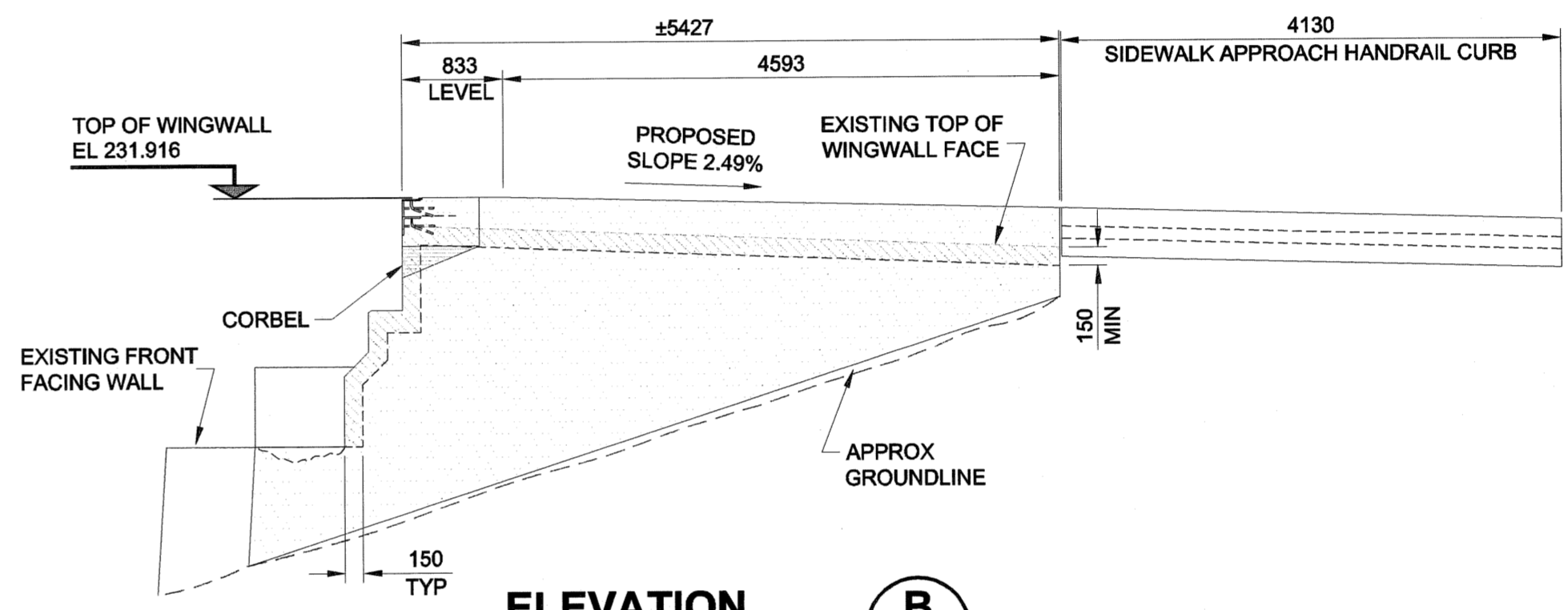
NORTH WINGWALL



**DETAIL 2**

SCALE 1:20  
0 200 400 600 mm

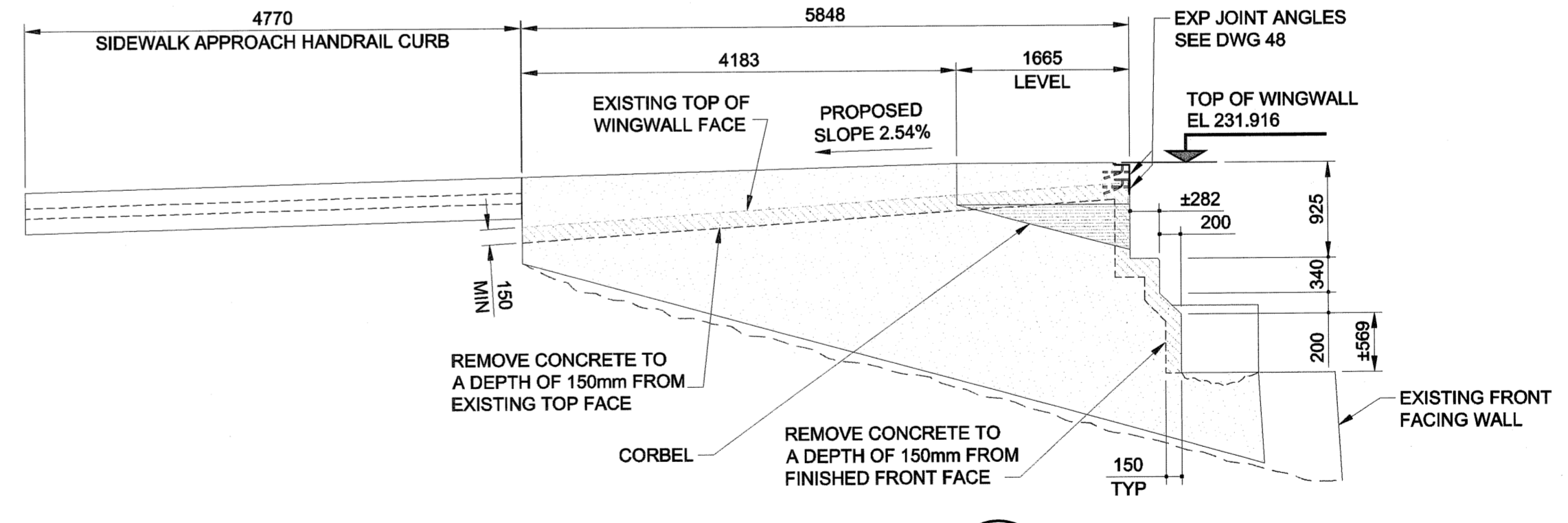
SOUTH WINGWALL



**ELEVATION B**

SCALE 1:50  
0 500 1000 1500 mm

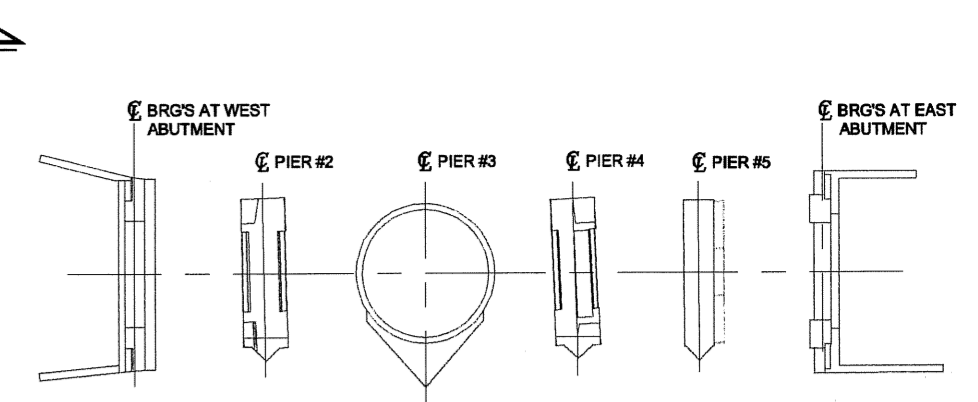
NORTH WINGWALL PROPOSED CONCRETE DETAILS  
DETAILS SAME AS SOUTH WINGWALL UNLESS NOTED.



**ELEVATION A**

SCALE 1:50  
0 500 1000 1500 mm

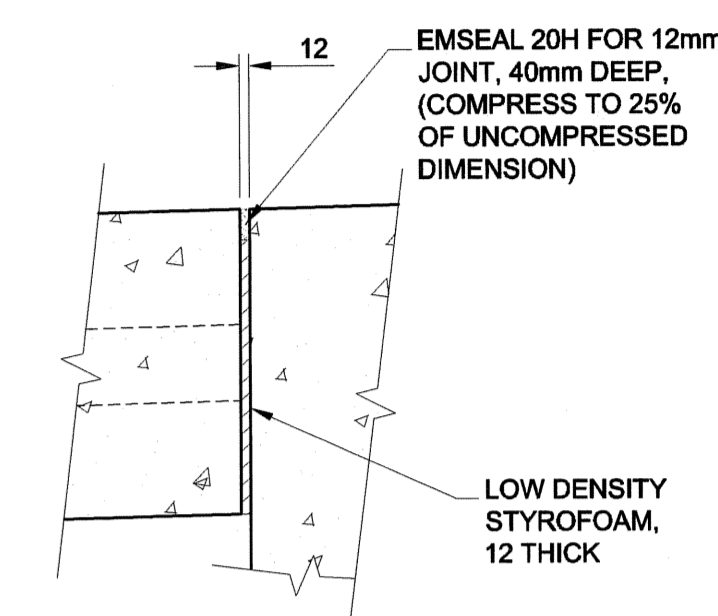
SOUTH WINGWALL PROPOSED CONCRETE DETAILS



**KEY PLAN**

SCALE 1:500  
0 1500 3000 4500 mm

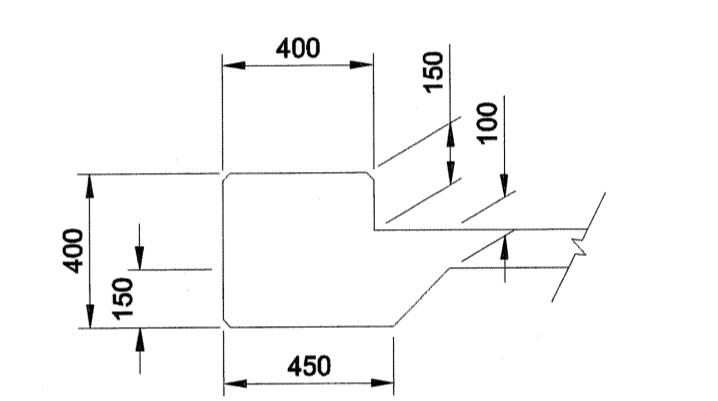
SUBSTRUCTURE - ABUTMENTS & PIERS



**SECTION J**

SCALE 1:10  
0 250 500 750 mm

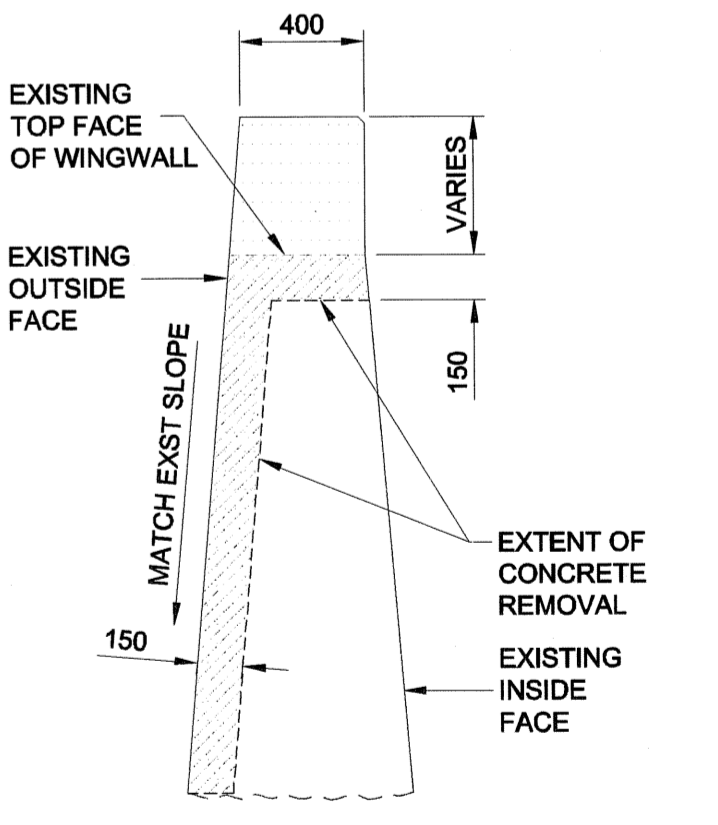
TYPICAL SIDEWALK APPROACH HANDRAIL CURB TO WINGWALL JOINT



**SECTION E**

SCALE 1:20  
0 250 500 750 mm

TYPICAL SIDEWALK APPROACH HANDRAIL CURB CONCRETE DETAILS



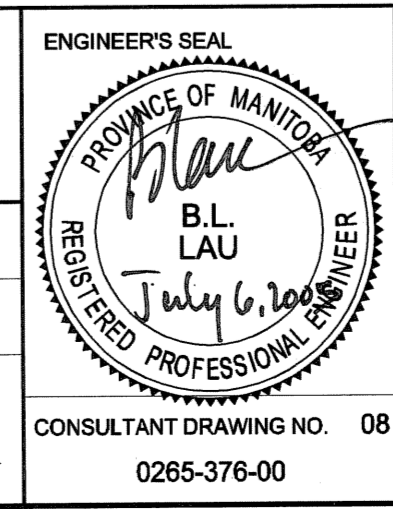
**SECTION D**

SCALE 1:25  
0 250 500 750 mm

TYPICAL WINGWALL SECTION CONCRETE LAYOUT

**NOTE:**  
ALL DIMENSIONS SHOWN ON THE DRAWINGS ARE BASED ON AVAILABLE INFORMATION AND RECORD DRAWINGS. THE CONTRACTOR SHALL FIELD MEASURE AND VERIFY ALL DIMENSIONS PRIOR TO COMMENCING CONSTRUCTION OR PRIOR TO PREPARATION OF SHOP DRAWINGS. THE CONTRACTOR SHALL MAKE THE APPROPRIATE ADJUSTMENTS TO THE APPLICABLE DETAILS AND DIMENSIONS ACCEPTABLE TO THE CONTRACT ADMINISTRATOR. THE CONTRACTOR SHALL THEN FABRICATE AND CONSTRUCT THE WORKS IN ACCORDANCE WITH THE CORRECTED DIMENSIONS.

<b>UMA Engineering Ltd.</b> • Consulting • Engineering • Construction • Management Services			
DESIGNED BY	BLL	CHECKED BY	SBB
DRAWN BY	DL	APPROVED BY	<i>Paul</i>
HOR. SCALE	AS SHOWN	ACCEPTED BY	<i>meil</i>
VERT. SCALE	AS SHOWN	DATE	2005 07 07
NO.	REVISIONS	DATE	BY
0	ISSUED FOR CONSTRUCTION	05/07/05	MP
		YYMMDD	



**THE CITY OF WINNIPEG PUBLIC WORKS DEPARTMENT**

**REDWOOD BRIDGE REHABILITATIVE MAINTENANCE AND RELATED WORKS**

WEST ABUTMENT LAYOUT PROPOSED CONCRETE PLAN, ELEVATIONS, SECTIONS AND DETAILS

CITY DRAWING NUMBER B113-05-08  
SHEET 08 OF 74  
REV 08 0

CONSULTANT DRAWING NO. 08  
0265-376-00