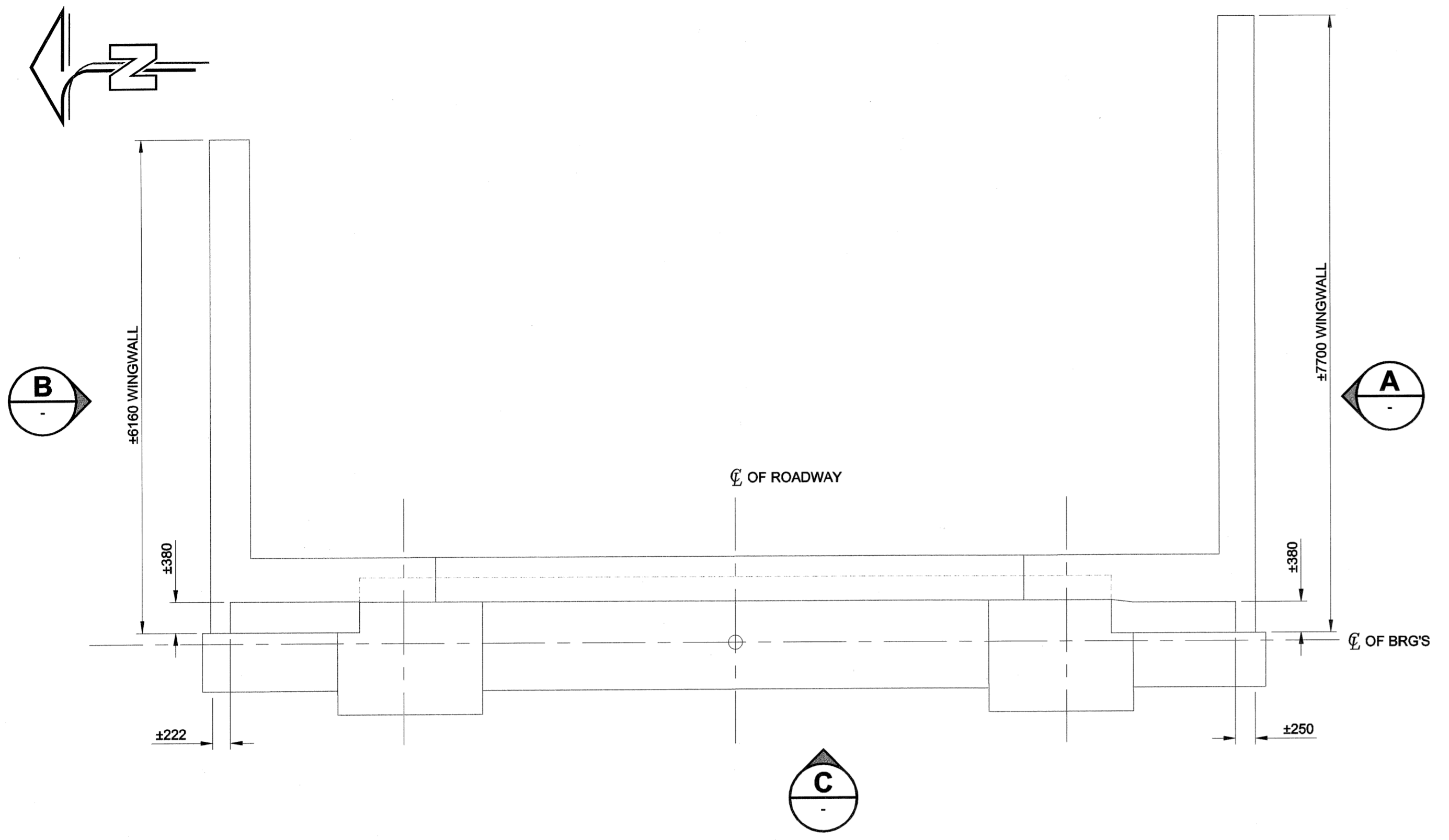


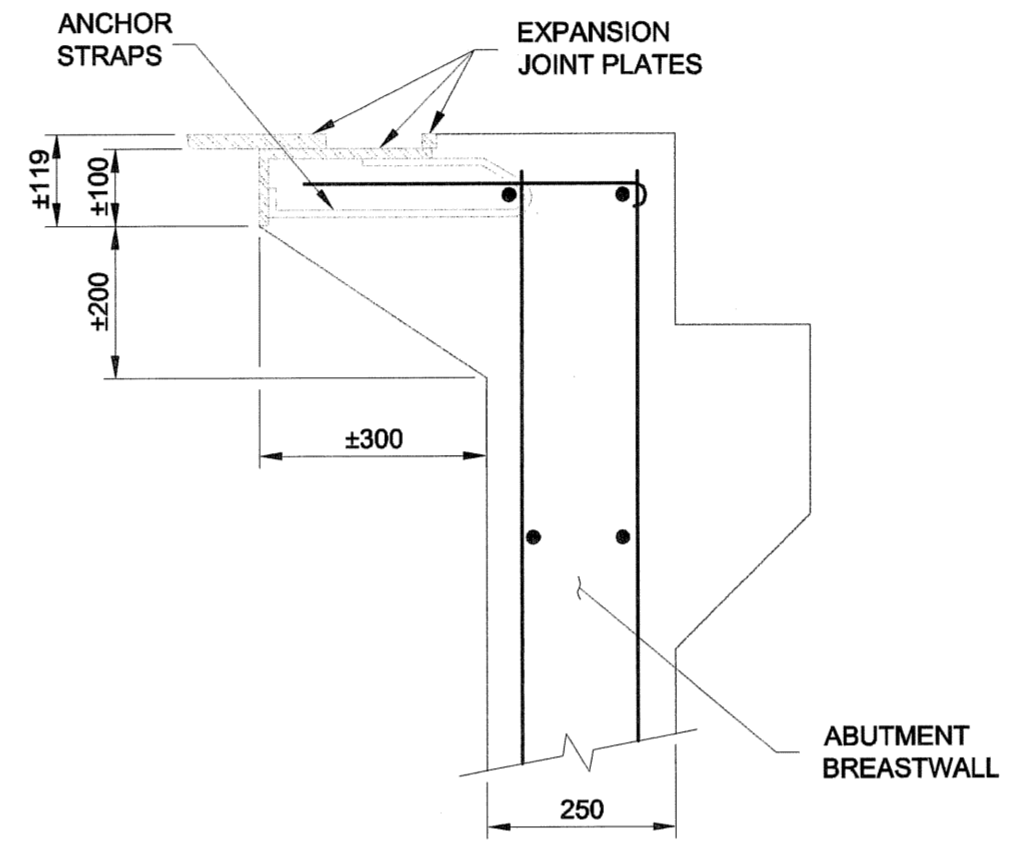
KEY PLAN

SCALE 1:500
0 1500 3000 4500 mm
SUBSTRUCTURE - ABUTMENTS & PIERS



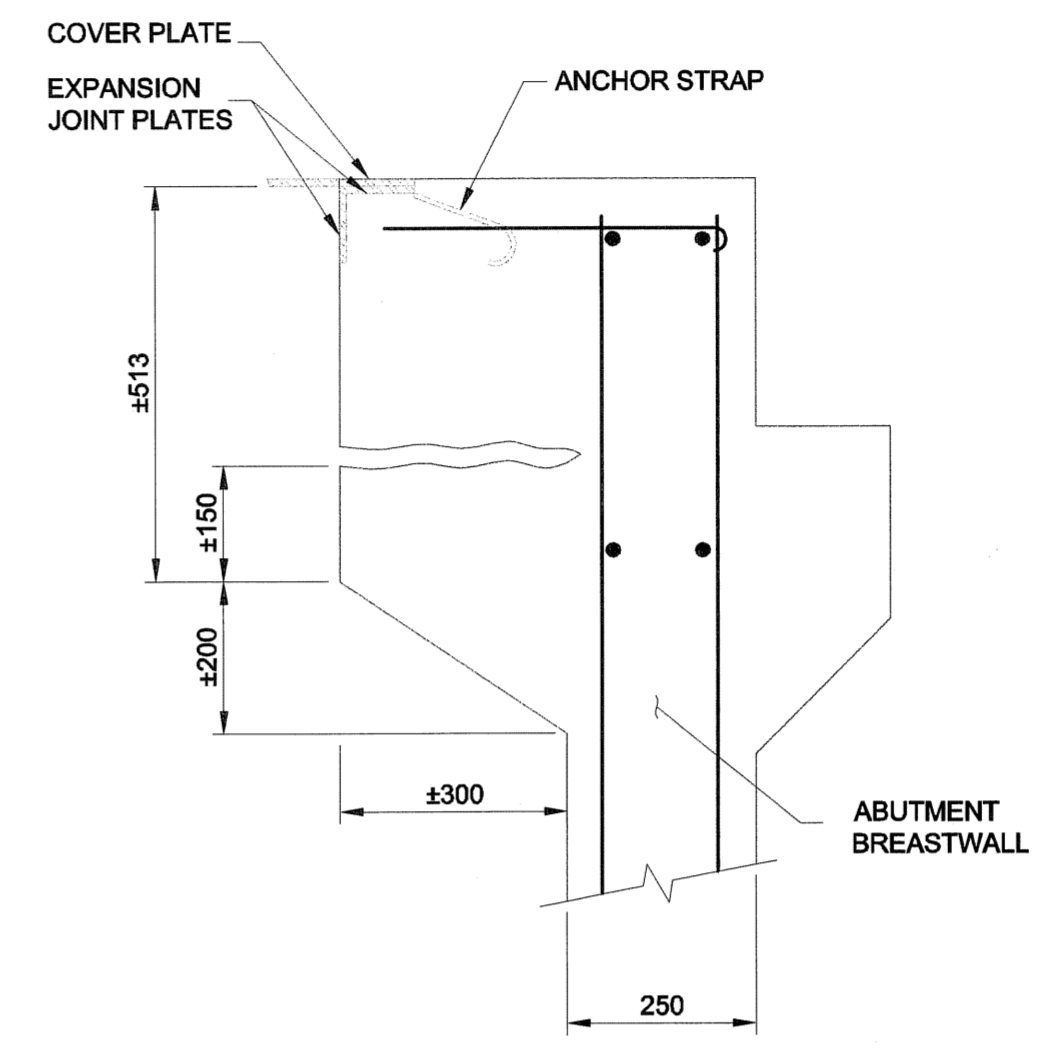
EAST ABUTMENT PLAN

SCALE 1:50
0 500 1000 1500 mm
EXISTING



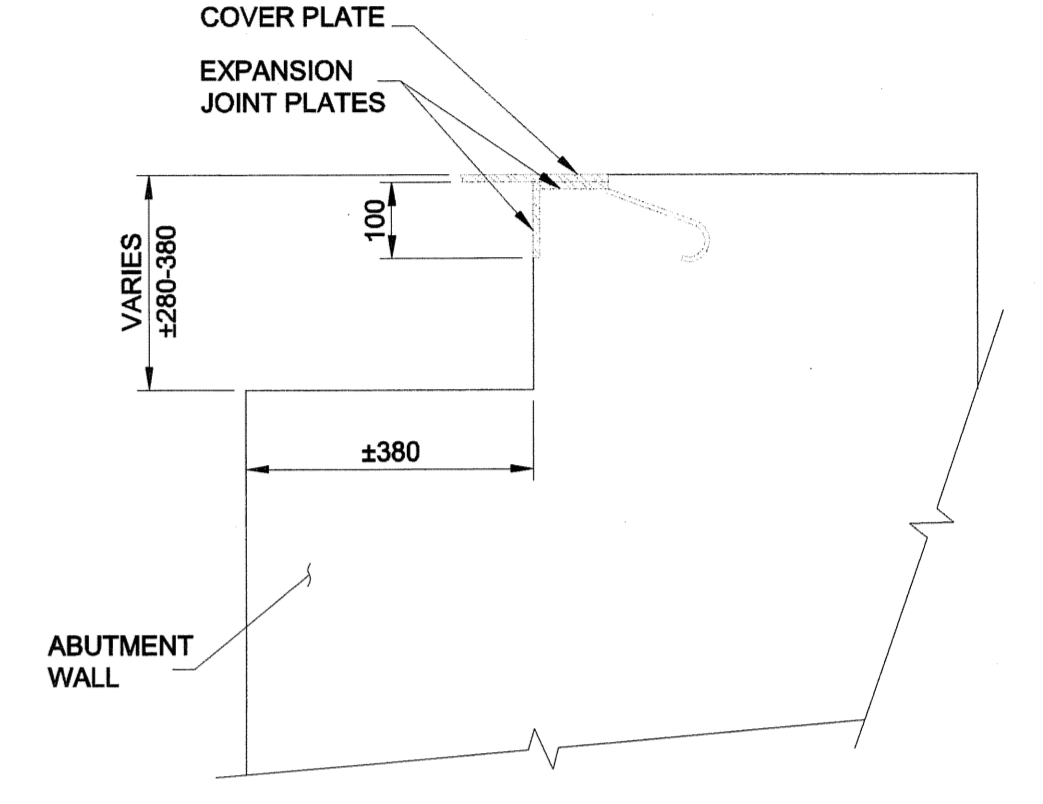
SECTION D

SCALE 1:10
0 200 400 600 mm
THROUGH ROADWAY



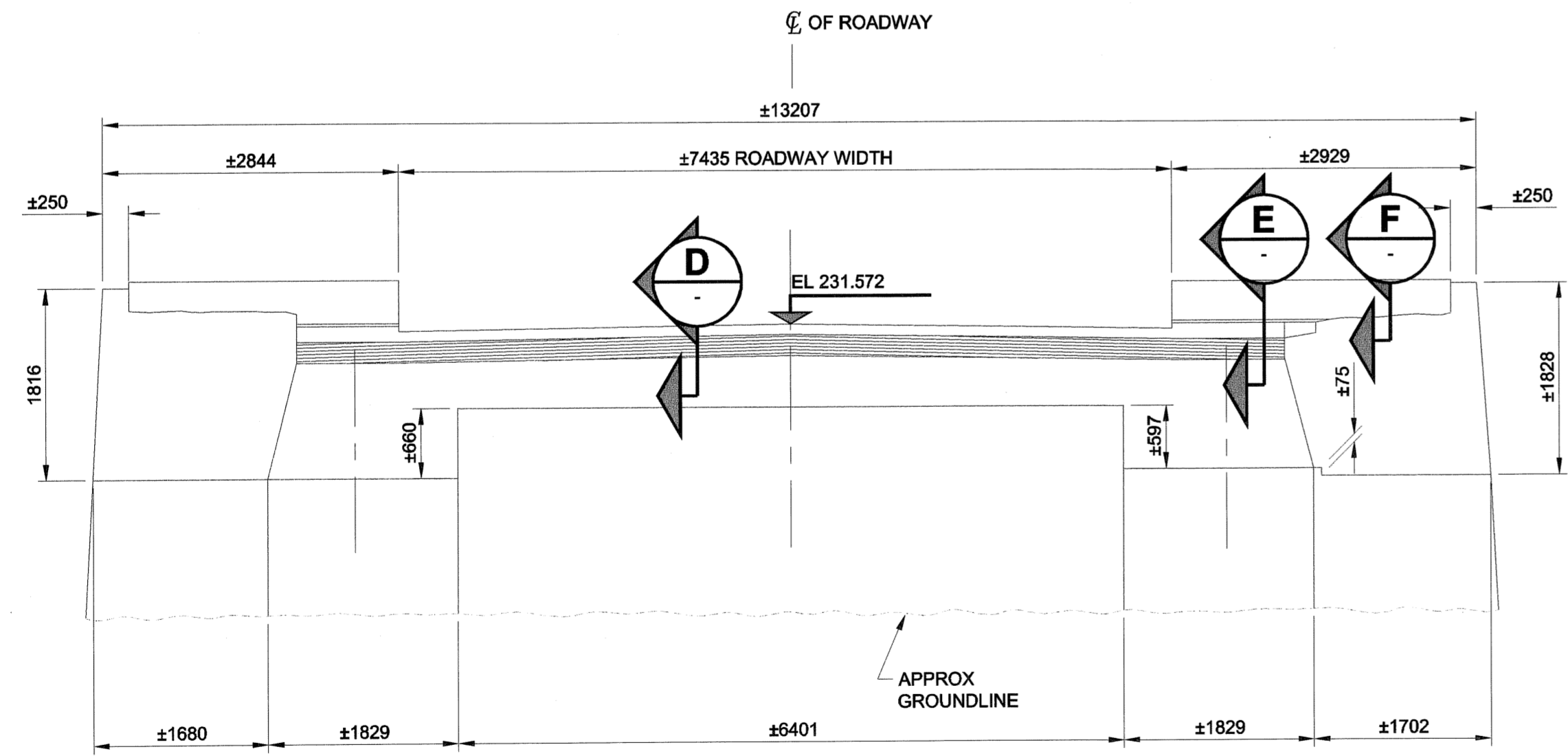
SECTION E

SCALE 1:10
0 200 400 600 mm
THROUGH SIDEWALK



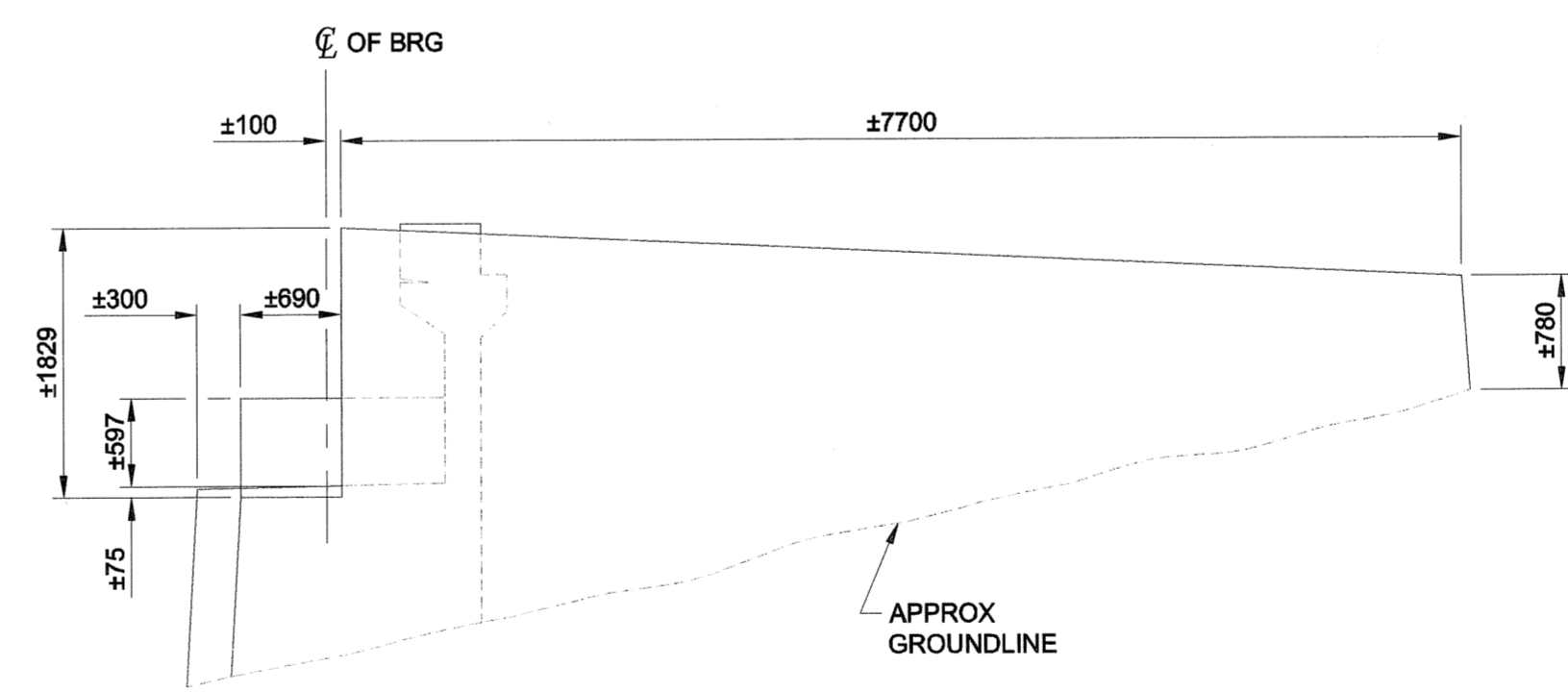
SECTION F

SCALE 1:10
0 200 400 600 mm
THROUGH SIDEWALK



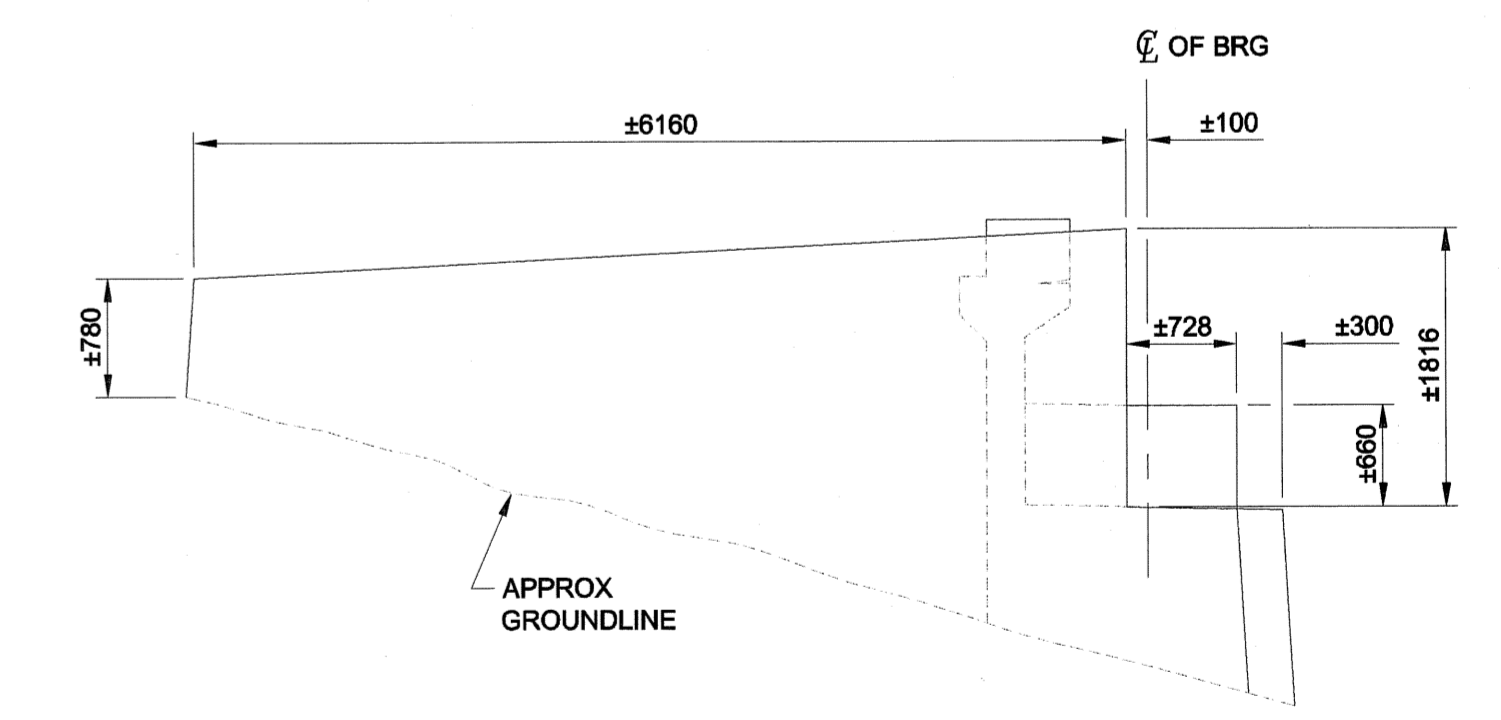
ELEVATION C

SCALE 1:50
0 500 1000 1500 mm
EAST ABUTMENT - EXISTING



ELEVATION A

SCALE 1:50
0 500 1000 1500 mm
SOUTH WINGWALL - EXISTING

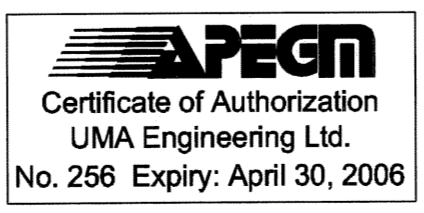


ELEVATION B

SCALE 1:50
0 500 1000 1500 mm
NORTH WINGWALL - EXISTING

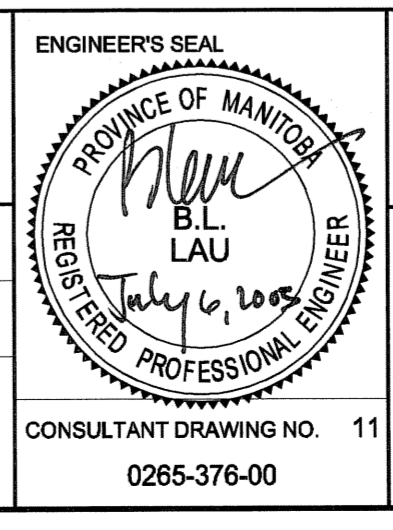
NOTE:
ALL DIMENSIONS SHOWN ON THE DRAWINGS ARE BASED ON AVAILABLE INFORMATION AND RECORD DRAWINGS. THE CONTRACTOR SHALL FIELD MEASURE AND VERIFY ALL DIMENSIONS PRIOR TO COMMENCING CONSTRUCTION OR PRIOR TO PREPARATION OF SHOP DRAWINGS. THE CONTRACTOR SHALL MAKE THE APPROPRIATE ADJUSTMENTS TO THE APPLICABLE DETAILS AND DIMENSIONS ACCEPTABLE TO THE CONTRACT ADMINISTRATOR. THE CONTRACTOR SHALL THEN FABRICATE AND CONSTRUCT THE WORKS IN ACCORDANCE WITH THE CORRECTED DIMENSIONS.

METRIC
WHOLE NUMBERS INDICATE MILLIMETRES
DECIMALIZED NUMBERS INDICATE METRES



NO.	REVISIONS	DATE	BY
0	ISSUED FOR CONSTRUCTION	05/07/05	MP
1			
2			

uma UMA Engineering Ltd. • Consulting • Engineering • Construction • Management Services	
DESIGNED BY: BLL	CHECKED BY: SBB
DRAWN BY: DL	APPROVED BY: <i>BLL</i>
HOR. SCALE: AS SHOWN	ACCEPTED BY: <i>[Signature]</i>
VERT. SCALE: AS SHOWN	DATE: 2005-07-07



THE CITY OF WINNIPEG PUBLIC WORKS DEPARTMENT

REDWOOD BRIDGE REHABILITATIVE MAINTENANCE AND RELATED WORKS

EAST ABUTMENT EXISTING ELEVATIONS, PLANS AND SECTIONS

CITY DRAWING NUMBER: B113-05-11
SHEET: 11 OF 74
REV: 0

CONSULTANT DRAWING NO. 11
0265-376-00