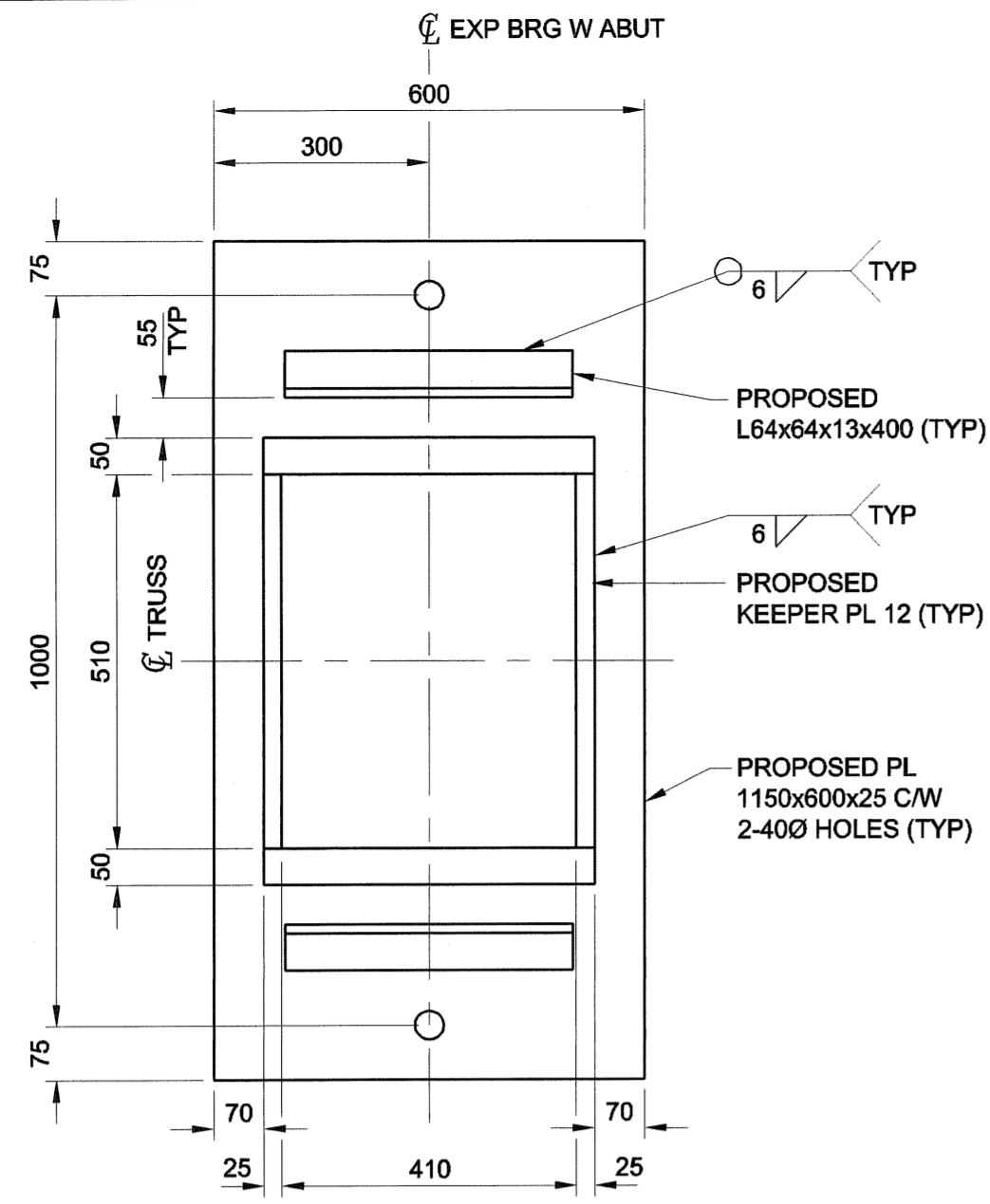
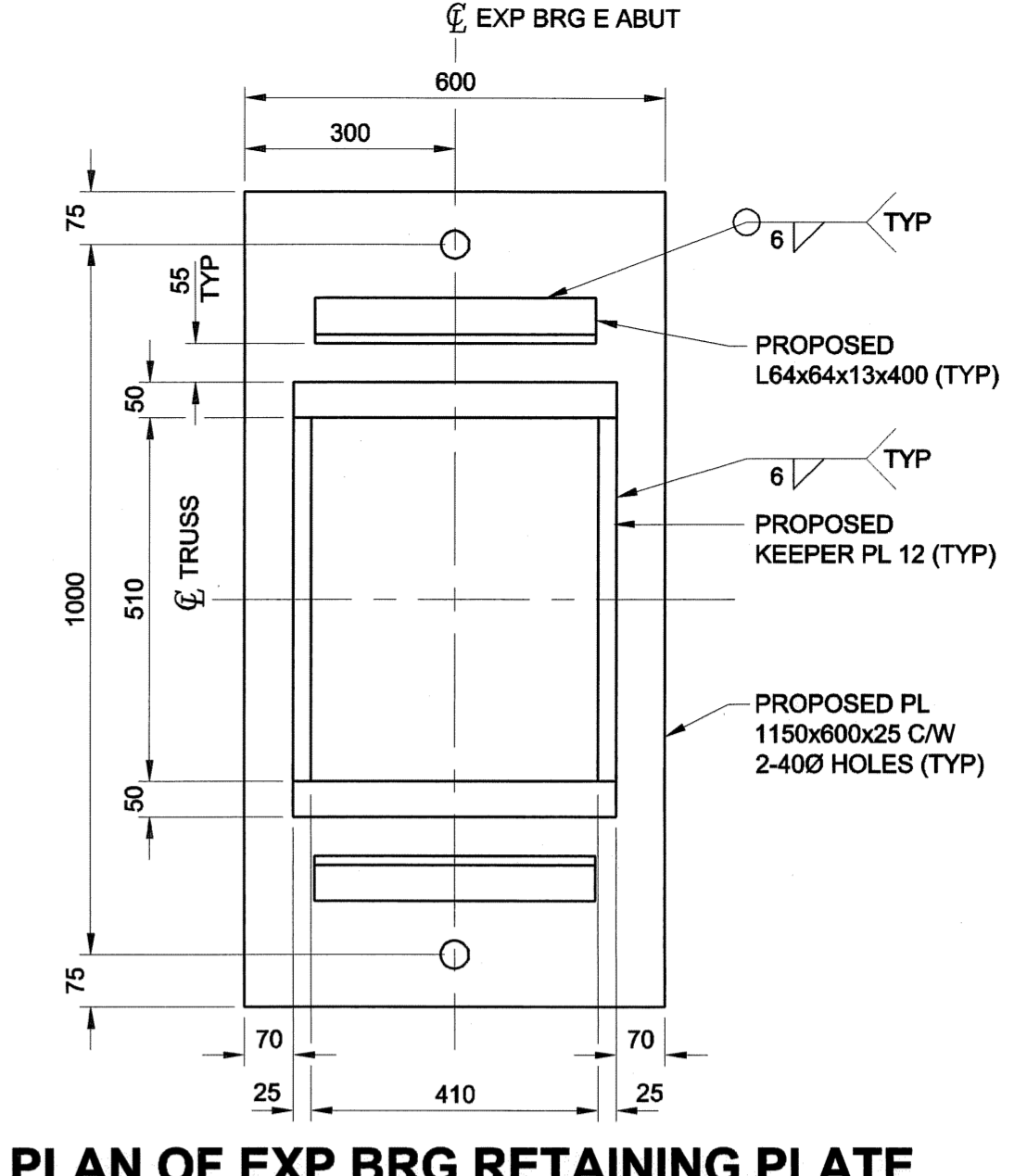


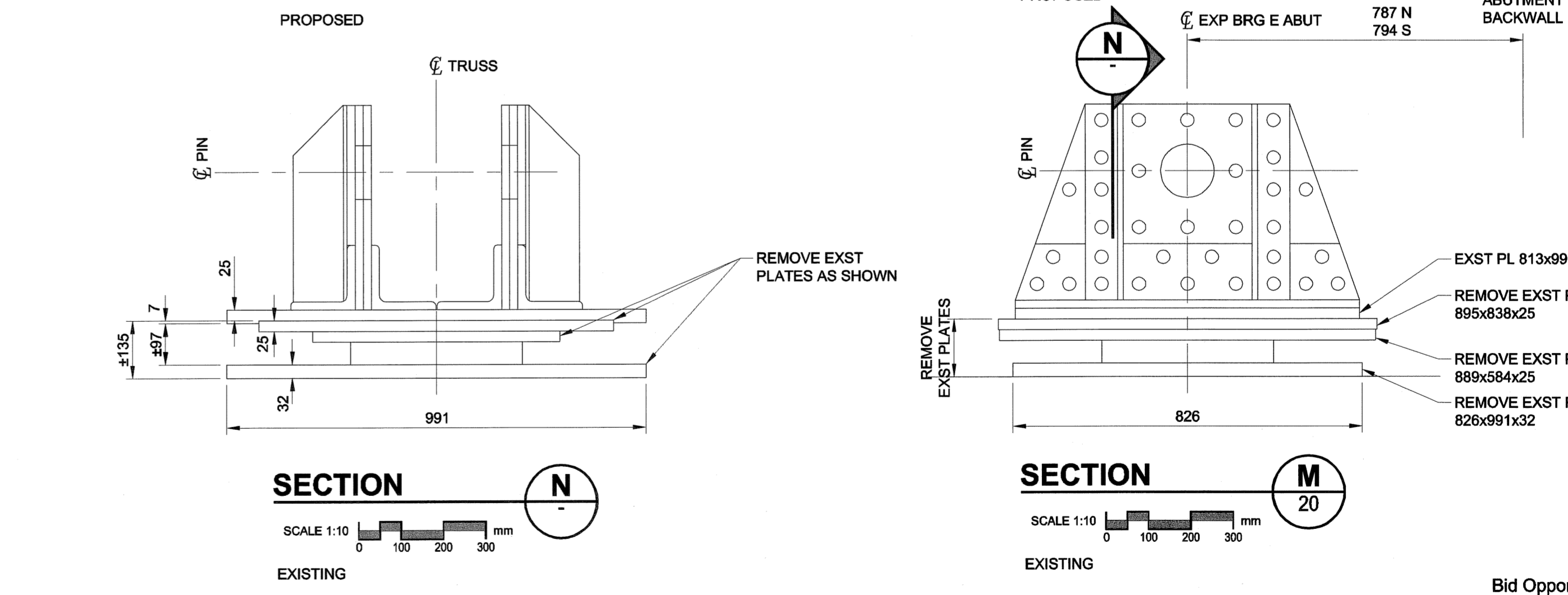
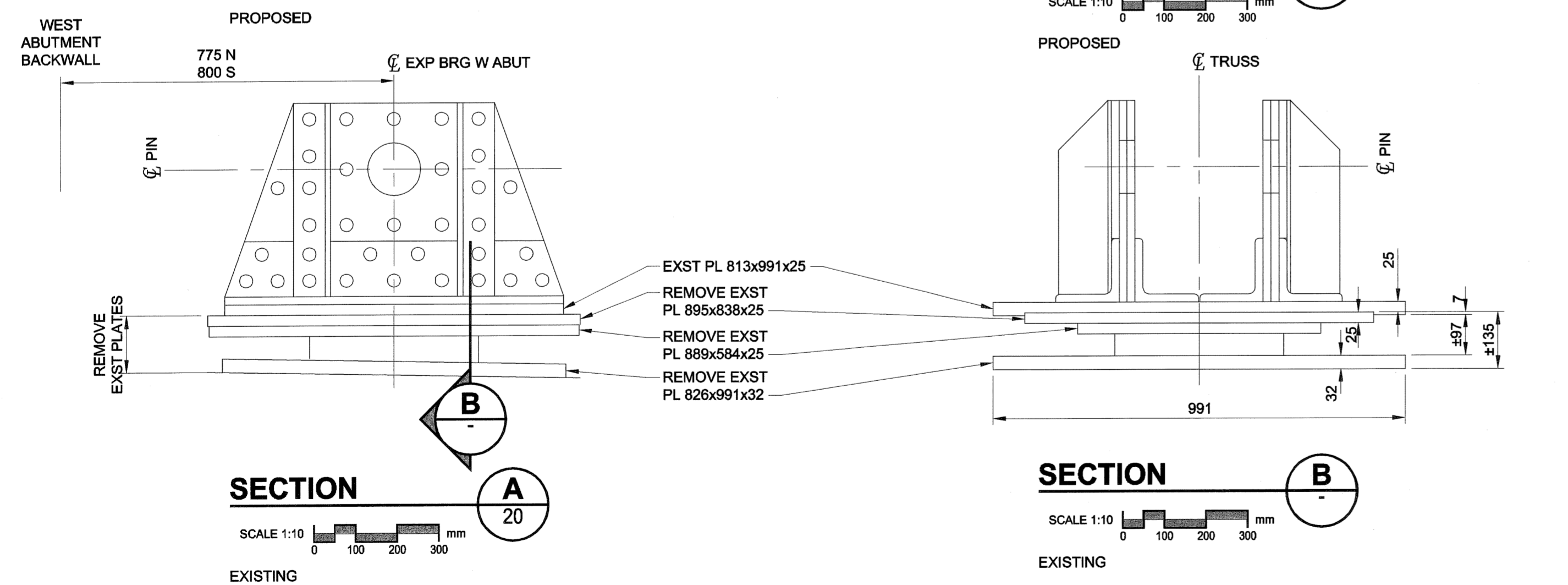
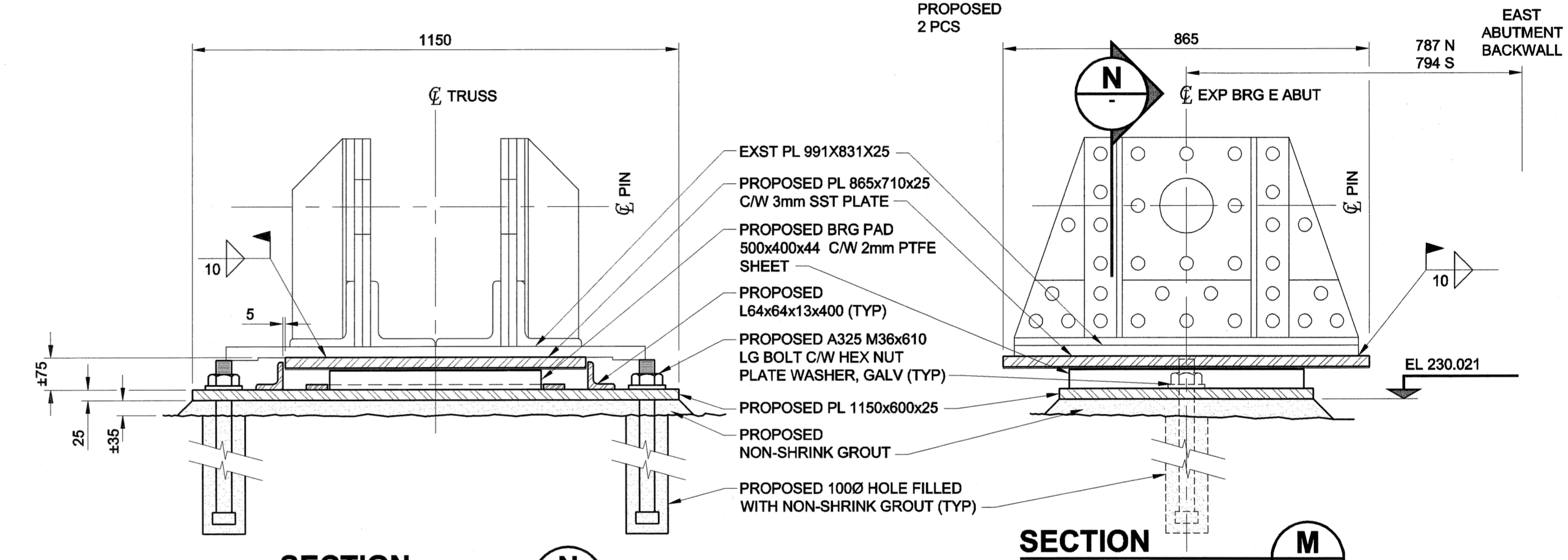
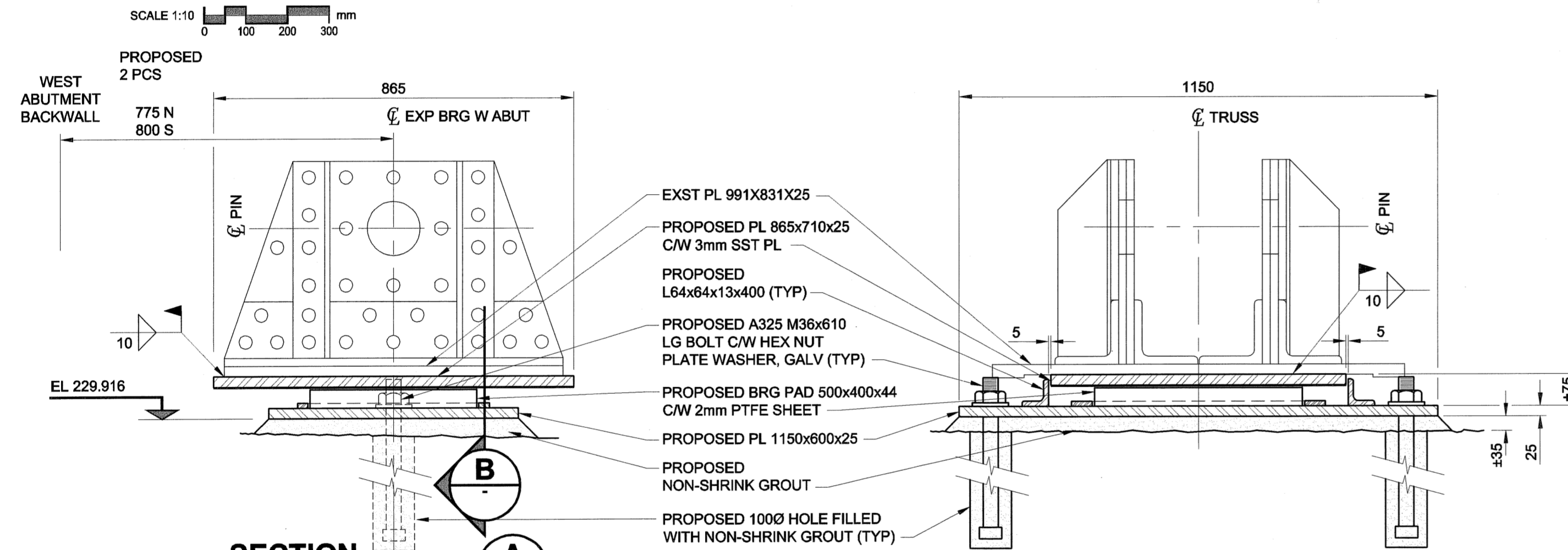
D SIZE 22" x 34" (559mm x 864mm)



PLAN OF EXP BRG RETAINING PLATE



PLAN OF EXP BRG RETAINING PLATE

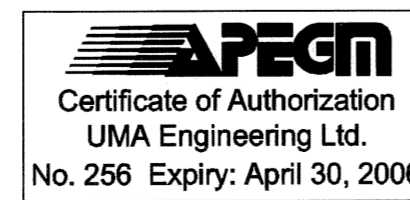


NOTE:

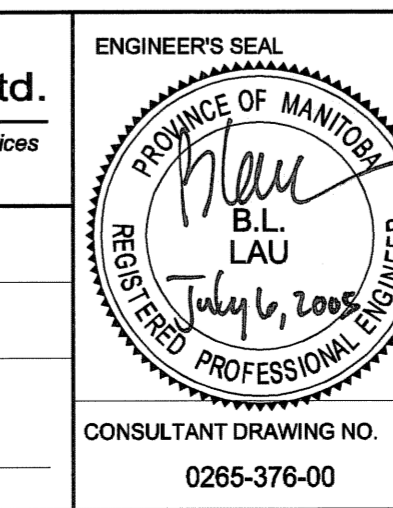
ALL DIMENSIONS SHOWN ON THE DRAWINGS ARE BASED ON AVAILABLE INFORMATION AND RECORD DRAWINGS. THE CONTRACTOR SHALL FIELD MEASURE AND VERIFY ALL DIMENSIONS PRIOR TO COMMENCING CONSTRUCTION OR PRIOR TO PREPARATION OF SHOP DRAWINGS. THE CONTRACTOR SHALL MAKE THE APPROPRIATE ADJUSTMENTS TO THE APPLICABLE DETAILS AND DIMENSIONS ACCEPTABLE TO THE CONTRACT ADMINISTRATOR. THE CONTRACTOR SHALL THEN FABRICATE AND CONSTRUCT THE WORKS IN ACCORDANCE WITH THE CORRECTED DIMENSIONS.

METRIC

WHOLE NUMBERS INDICATE MILLIMETRES
DECIMALIZED NUMBERS INDICATE METRES



<p>UMA Engineering Ltd. • Consulting • Engineering • Construction • Management Services</p>	
DESIGNED BY: BLL	CHECKED BY: SBB
DRAWN BY: CGC	APPROVED BY: <i>Paul B</i>
HOR. SCALE: AS SHOWN	ACCEPTED BY: <i>Paul B</i>
VERT. SCALE: AS SHOWN	DATE: <i>2007 07 07</i>
0 ISSUED FOR CONSTRUCTION 05/07/05 MP	
NO. REVISIONS	YYMMDD BY



THE CITY OF WINNIPEG
PUBLIC WORKS DEPARTMENT

REDWOOD BRIDGE
REHABILITATIVE MAINTENANCE AND
RELATED WORKS

WEST AND EAST ABUTMENTS
BEARING DETAILS

CITY DRAWING NUMBER
B113-05-21

SHEET 21 OF 74

REV 0

21

0

Bid Opportunity No. 257-2005

PLOT SCALE: 1" = 10'