

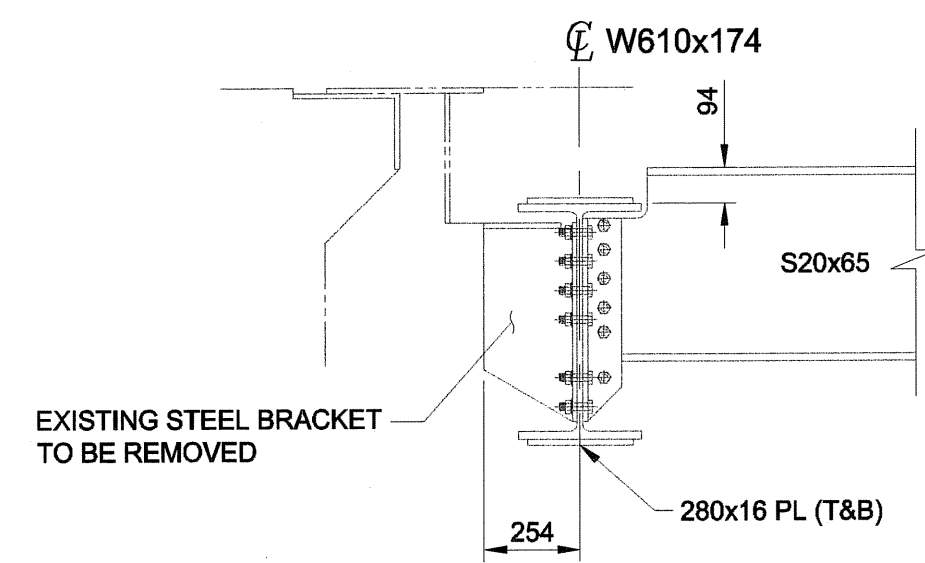
NOTE:  
FOR PROPOSED SIDEWALK BRACKET SEE DWG 34.

**PROPOSED**

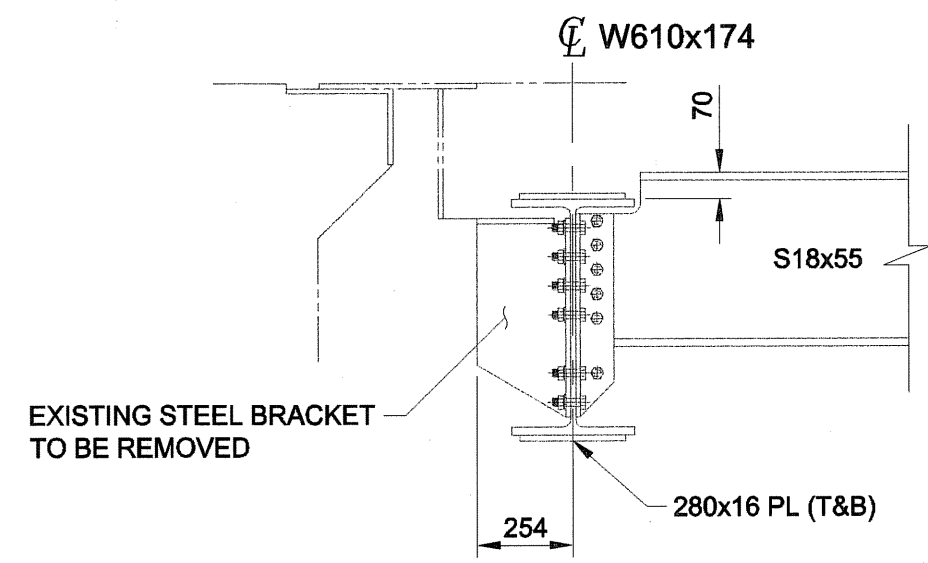
**SECTION A**  
SCALE 1:25

SPAN 1  
WEST END FLOOR BEAM @ WEST ABUTMENT

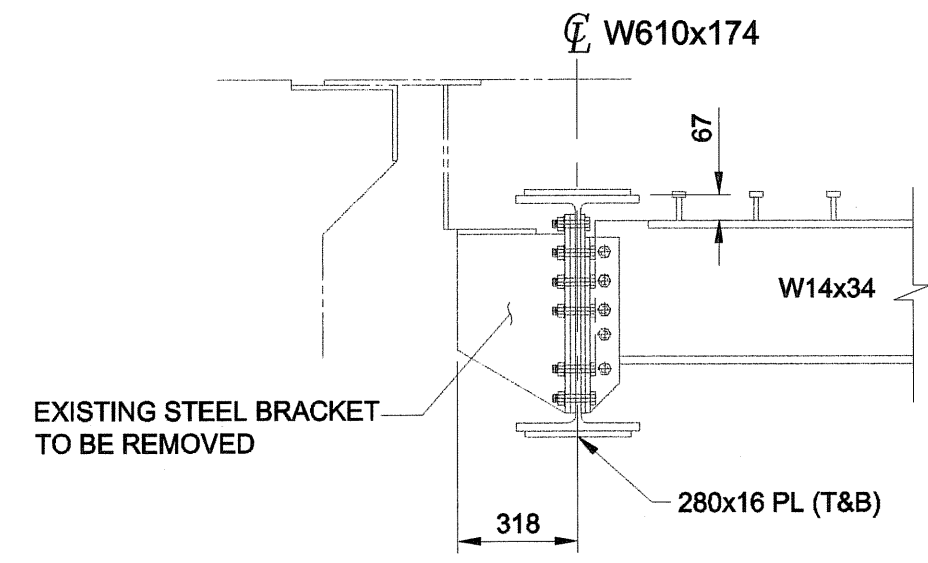
**EXISTING**



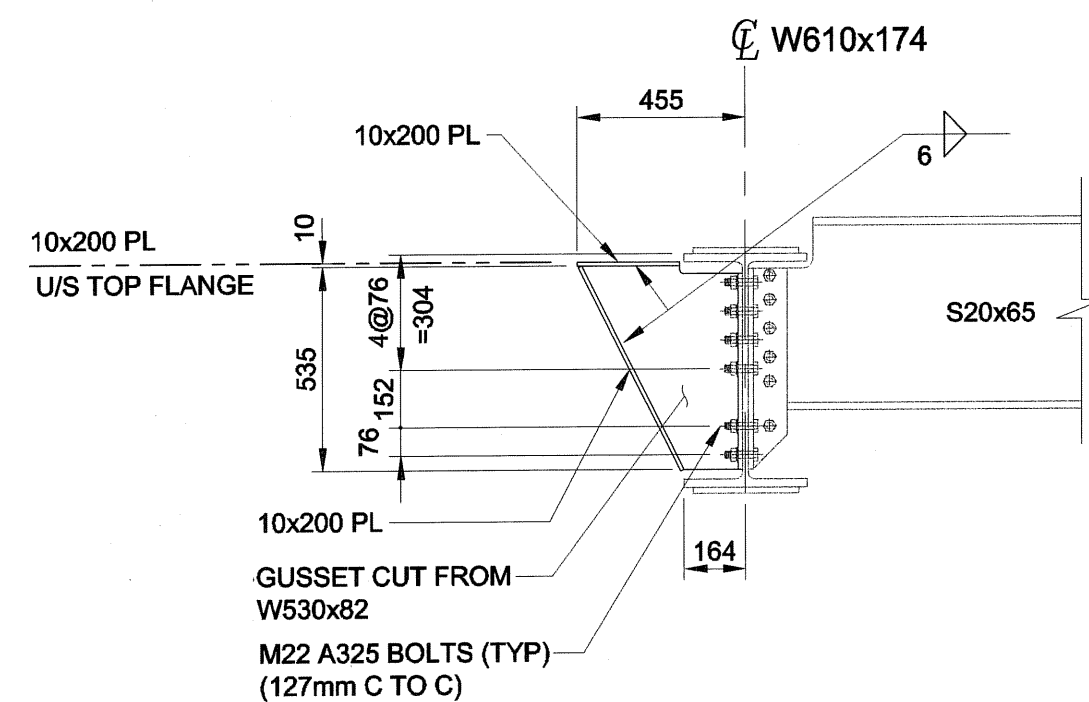
**SECTION B**  
SCALE 1:20  
EXISTING



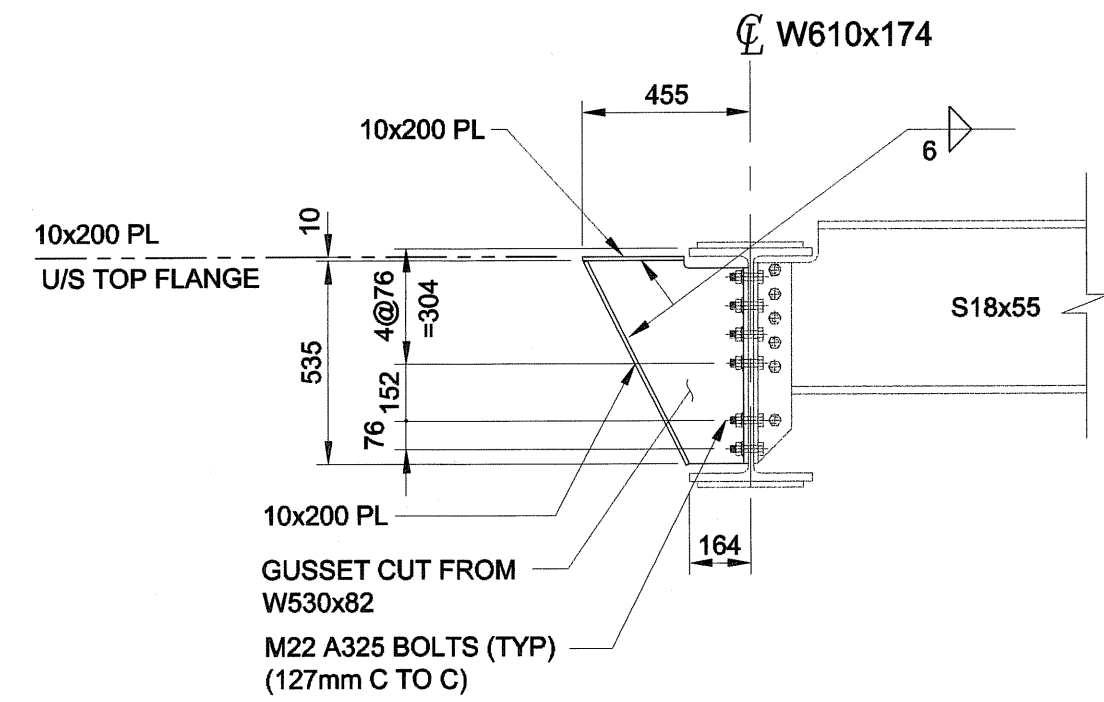
**SECTION C**  
SCALE 1:20  
EXISTING



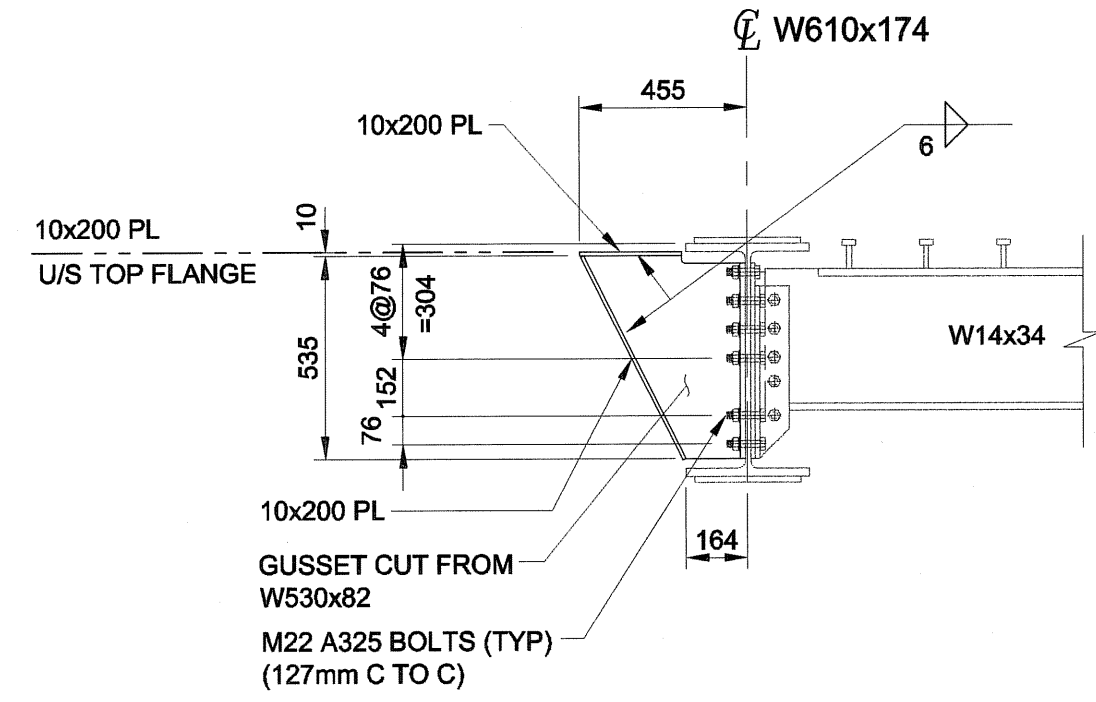
**SECTION D**  
SCALE 1:20  
EXISTING



**SECTION B**  
SCALE 1:20  
PROPOSED



**SECTION C**  
SCALE 1:20  
PROPOSED

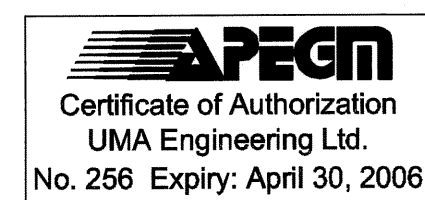


**SECTION D**  
SCALE 1:20  
PROPOSED

**NOTE:**

ALL DIMENSIONS SHOWN ON THE DRAWINGS ARE BASED ON AVAILABLE INFORMATION AND RECORD DRAWINGS. THE CONTRACTOR SHALL FIELD MEASURE AND VERIFY ALL DIMENSIONS PRIOR TO COMMENCING CONSTRUCTION OR PRIOR TO PREPARATION OF SHOP DRAWINGS. THE CONTRACTOR SHALL MAKE THE APPROPRIATE ADJUSTMENTS TO THE APPLICABLE DETAILS AND DIMENSIONS ACCEPTABLE TO THE CONTRACT ADMINISTRATOR. THE CONTRACTOR SHALL THEN FABRICATE AND CONSTRUCT THE WORKS IN ACCORDANCE WITH THE CORRECTED DIMENSIONS.

**METRIC**  
WHOLE NUMBERS INDICATE MILLIMETRES  
DECIMALIZED NUMBERS INDICATE METRES



DESIGNED BY	BLL	CHECKED BY	SBB
DRAWN BY	JJA	APPROVED BY	BLL
HOR. SCALE	AS SHOWN	ACCEPTED BY	<i>Meil</i>
VERT. SCALE	AS SHOWN	DATE	2-2-07
NO.	REVISIONS	DATE	BY
0	ISSUED FOR CONSTRUCTION	05/07/05	MP

THE CITY OF WINNIPEG  
PUBLIC WORKS DEPARTMENT

REDWOOD BRIDGE  
REHABILITATIVE MAINTENANCE AND  
RELATED WORKS

BRIDGE SECTION - SPAN 1  
WEST END FLOOR BEAM DETAILS

CITY DRAWING NUMBER  
B113-05-26

SHEET 26 OF 74

REV 26 0

CONSULTANT DRAWING NO. 26  
0265-376-00