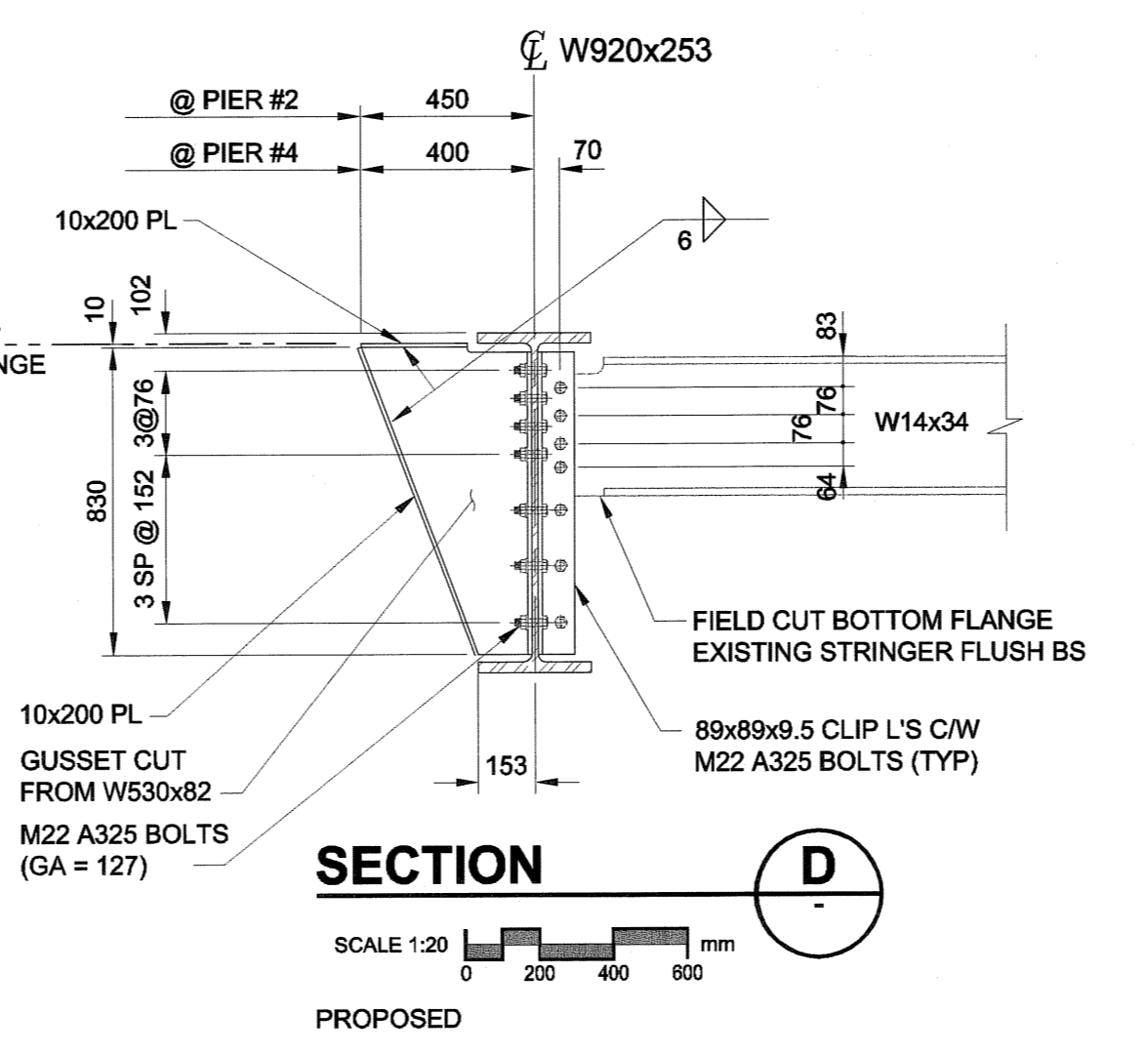
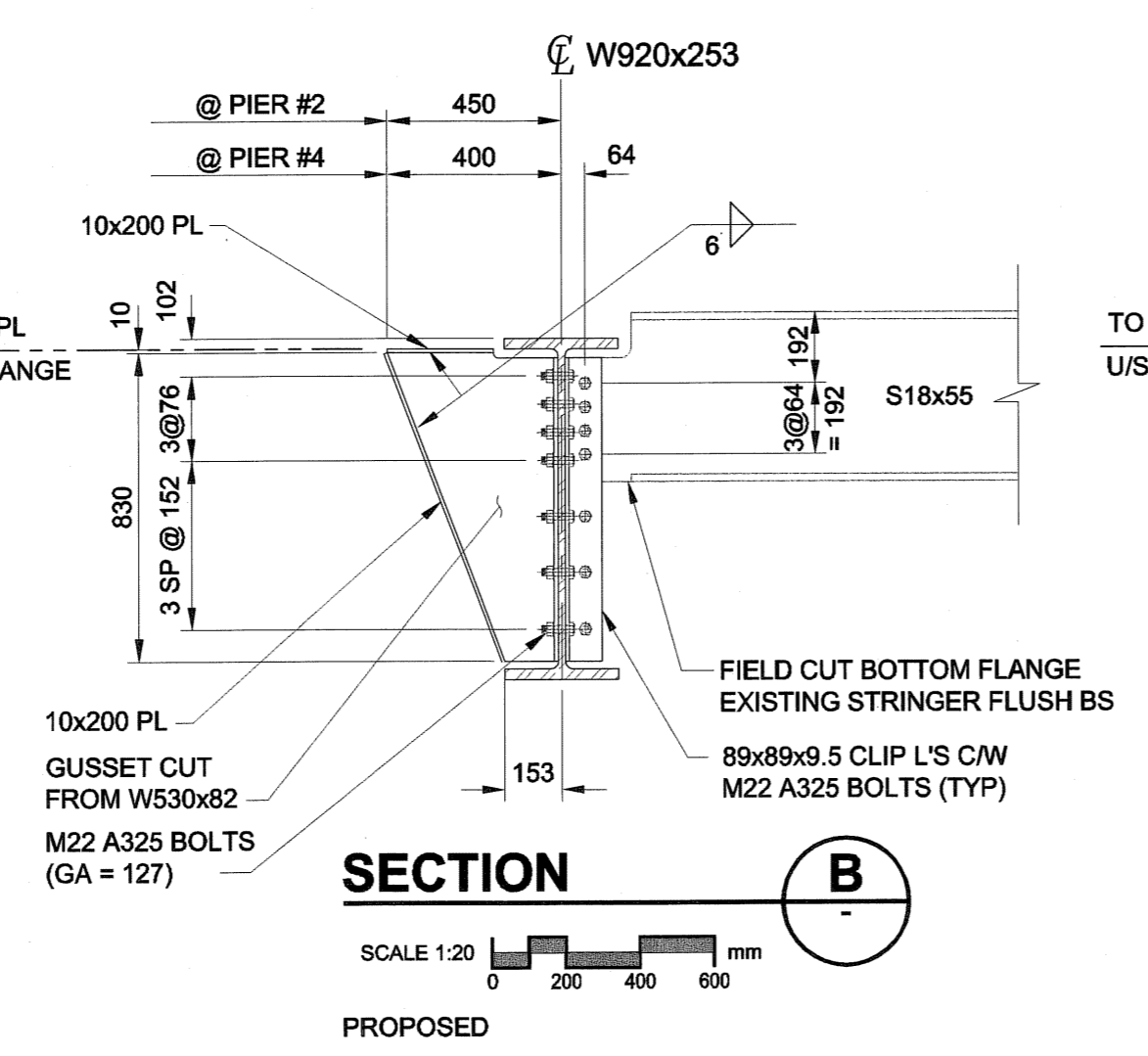
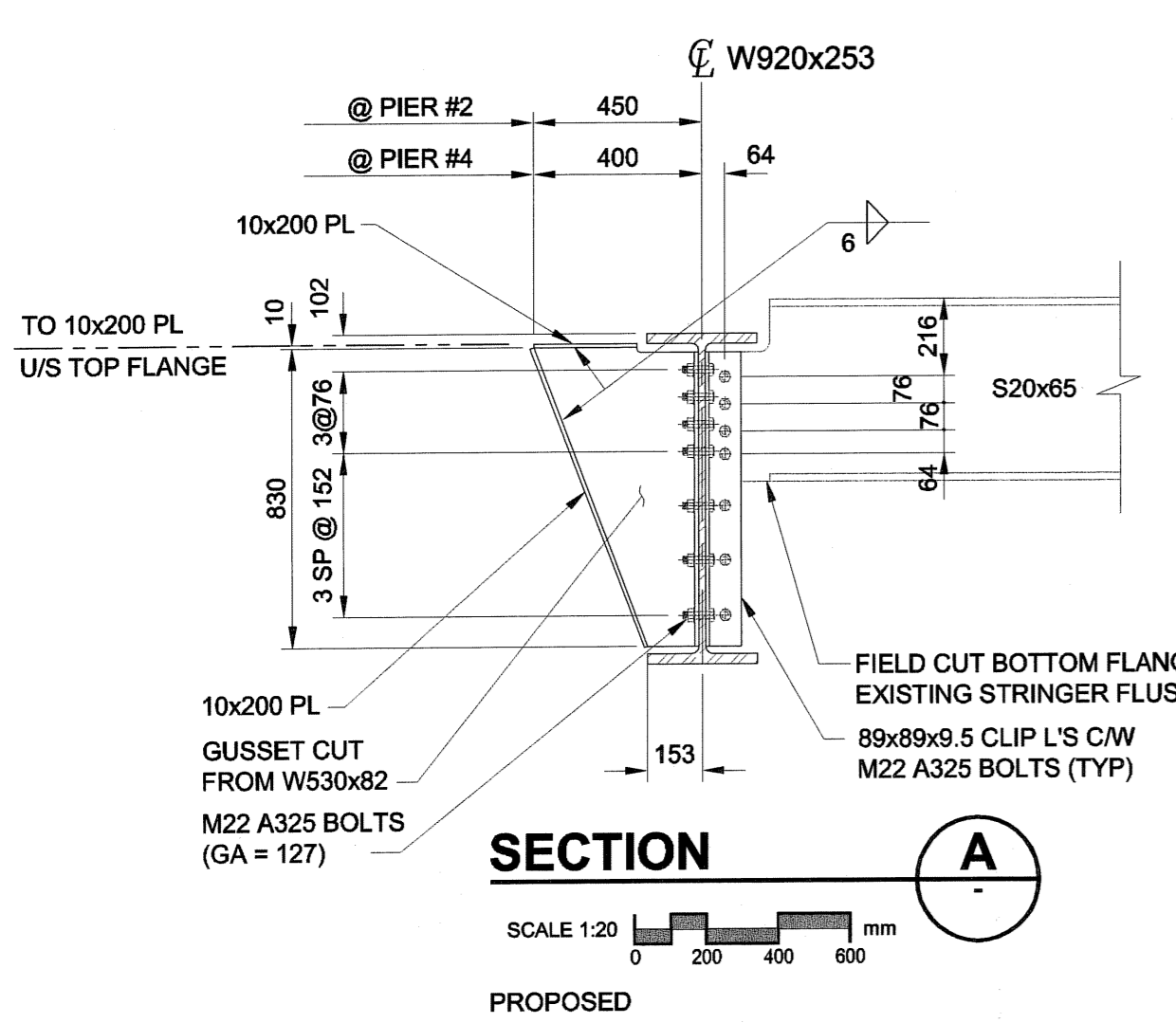
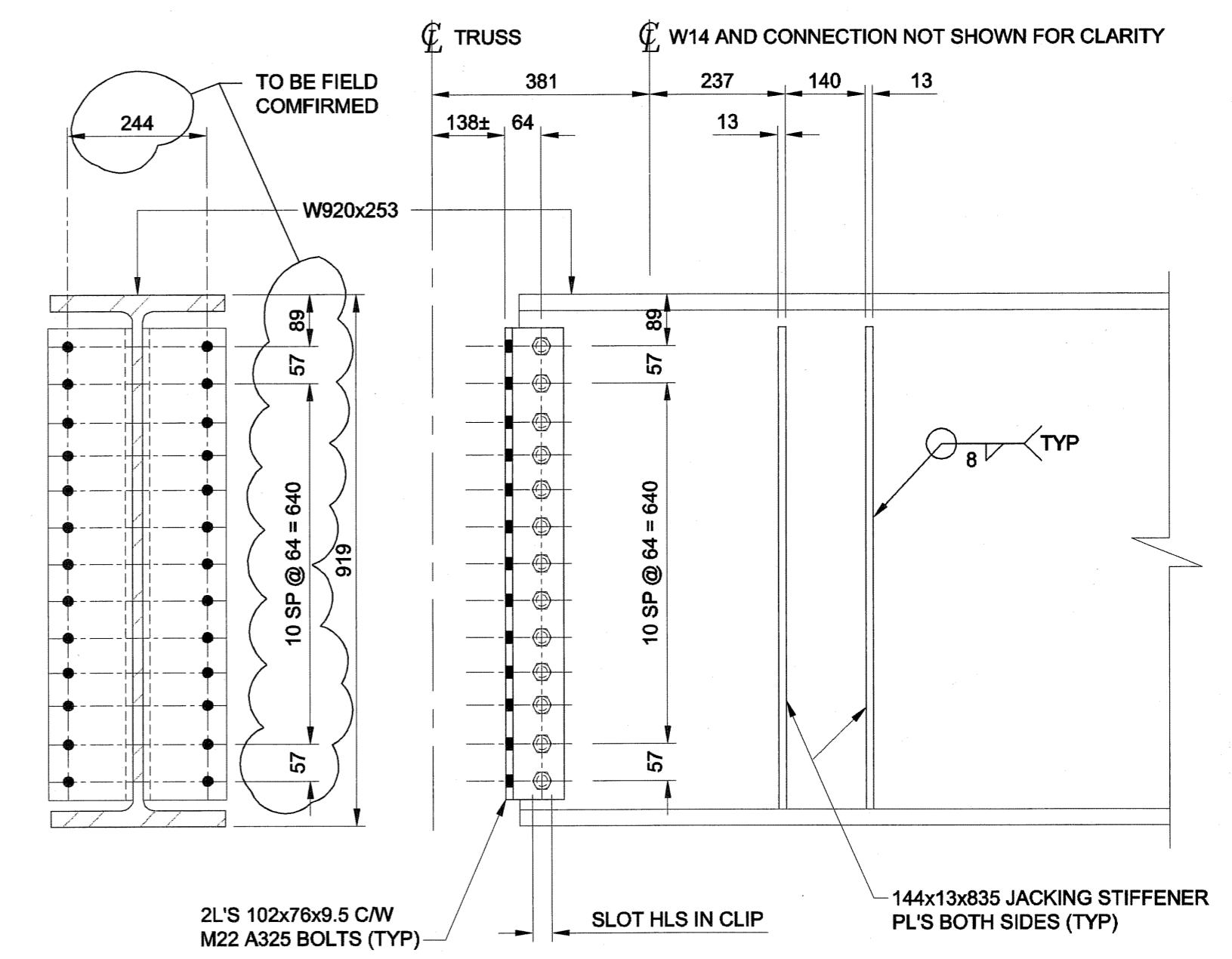
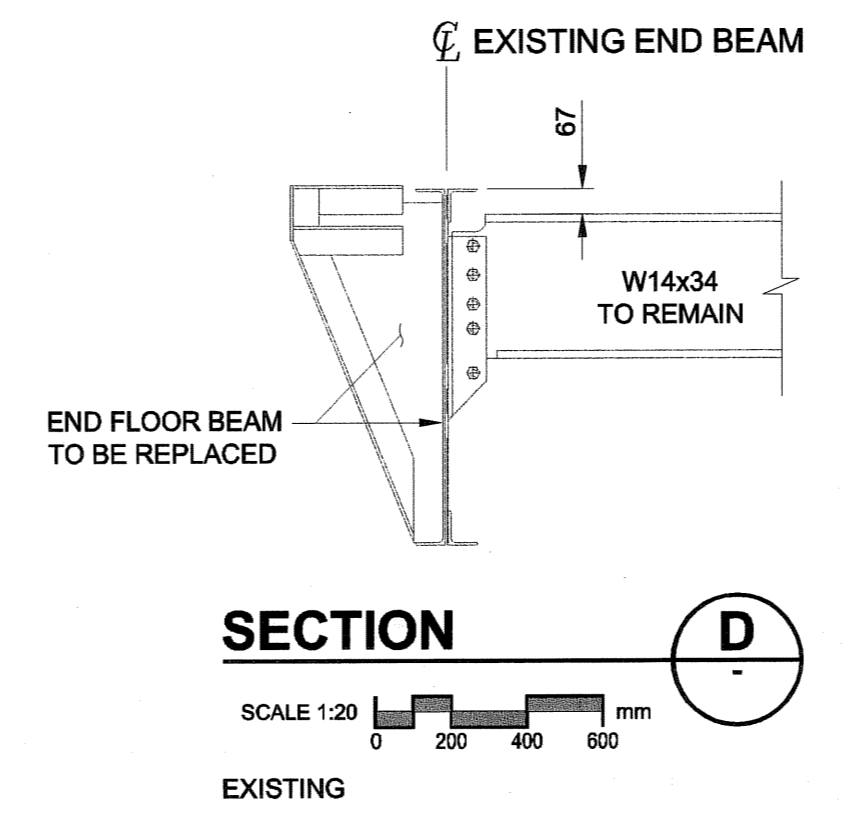
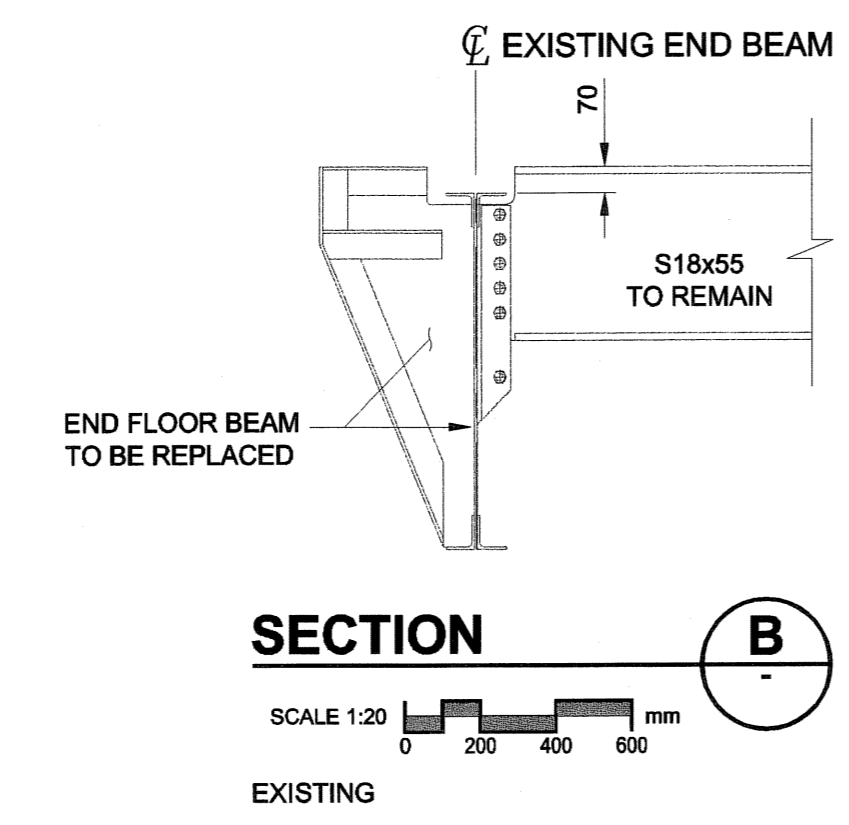
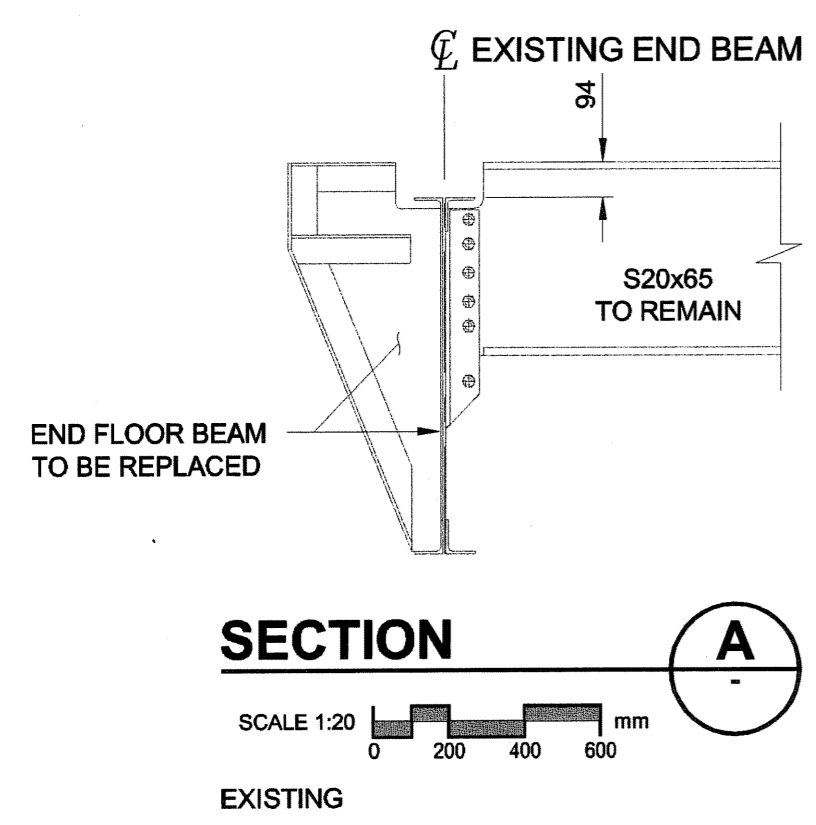
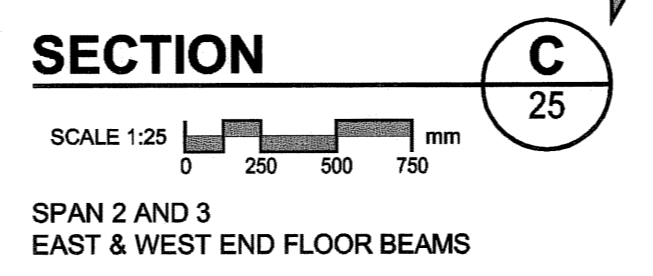


NOTE:
FOR PROPOSED SIDEWALK BRACKET SEE DWG 36

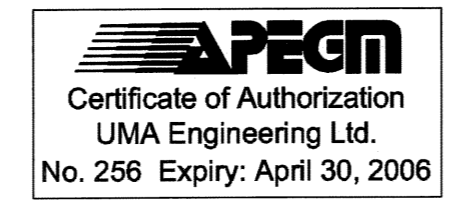
PROPOSED

EXISTING

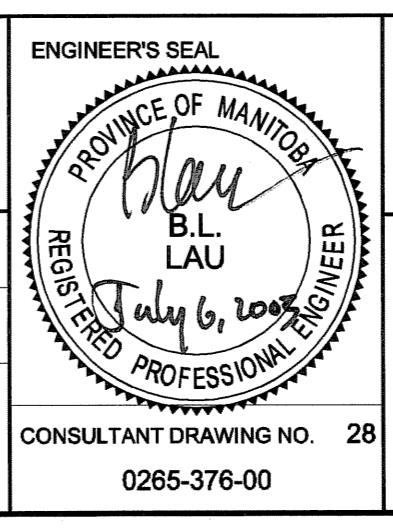


NOTE:
ALL DIMENSIONS SHOWN ON THE DRAWINGS ARE BASED ON AVAILABLE INFORMATION AND RECORD DRAWINGS. THE CONTRACTOR SHALL FIELD MEASURE AND VERIFY ALL DIMENSIONS PRIOR TO COMMENCING CONSTRUCTION OR PRIOR TO PREPARATION OF SHOP DRAWINGS. THE CONTRACTOR SHALL MAKE THE APPROPRIATE ADJUSTMENTS TO THE APPLICABLE DETAILS AND DIMENSIONS ACCEPTABLE TO THE CONTRACT ADMINISTRATOR. THE CONTRACTOR SHALL THEN FABRICATE AND CONSTRUCT THE WORKS IN ACCORDANCE WITH THE CORRECTED DIMENSIONS.

METRIC
WHOLE NUMBERS INDICATE MILLIMETRES
DECIMALIZED NUMBERS INDICATE METRES



UMA Engineering Ltd. * Consulting * Engineering * Construction * Management Services	
DESIGNED BY: BLL	CHECKED BY: SBB
DRAWN BY: JJA	APPROVED BY: BwB
HOR. SCALE: AS SHOWN	ACCEPTED BY: [Signature]
VERT. SCALE: AS SHOWN	DATE: 2-5-07 07
0 ISSUED FOR CONSTRUCTION 05/07/05 MP	
NO. REVISIONS	YYMMDD BY



THE CITY OF WINNIPEG PUBLIC WORKS DEPARTMENT

REDWOOD BRIDGE REHABILITATIVE MAINTENANCE AND RELATED WORKS

BRIDGE SECTION - SPAN 2 AND 3
END FLOOR BEAM DETAILS

CITY DRAWING NUMBER: B113-05-28
SHEET 28 OF 74
REV 28 0

Bid Opportunity No. 257-2005