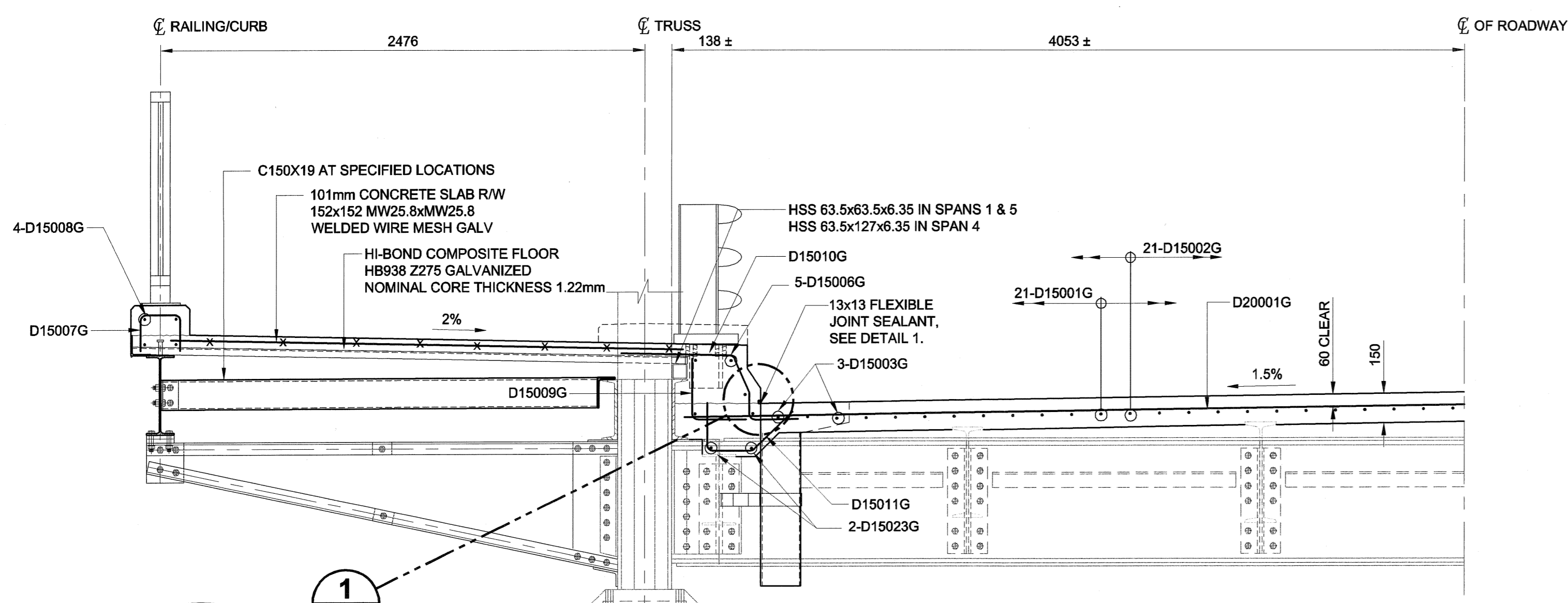
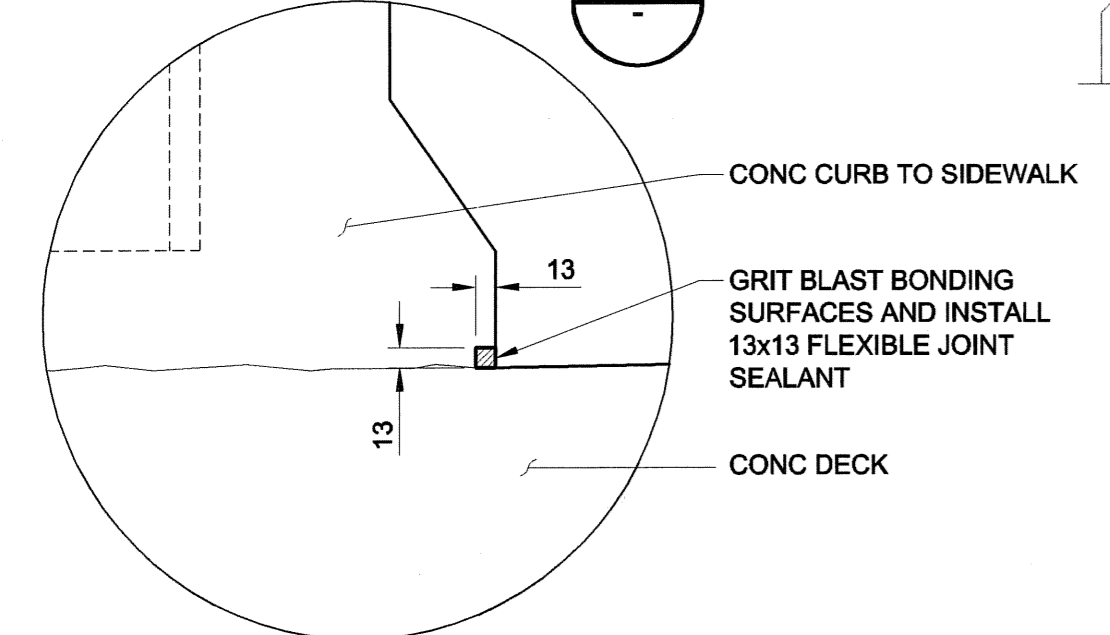


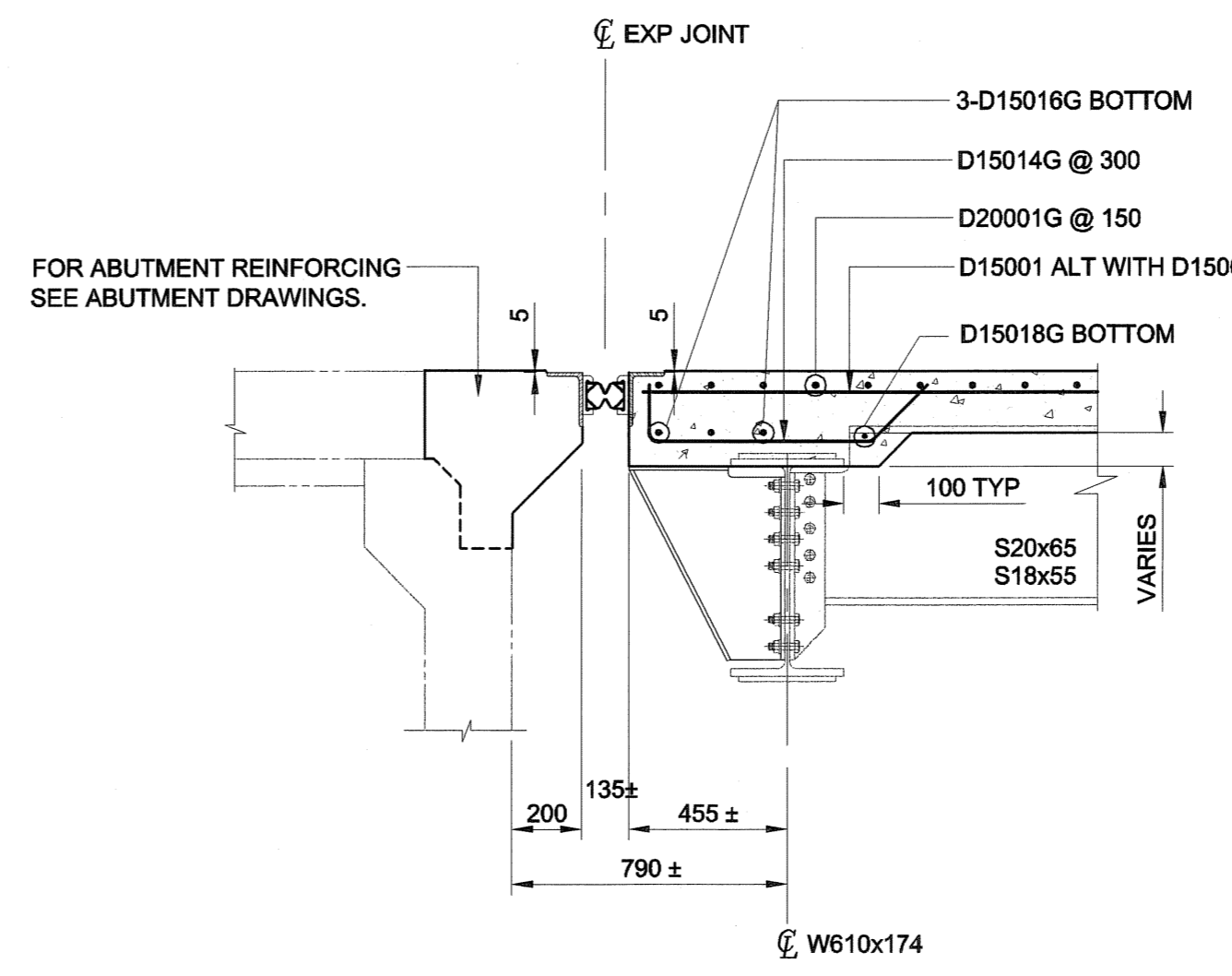
D SIZE 22" x 34" (564mm x 864mm)



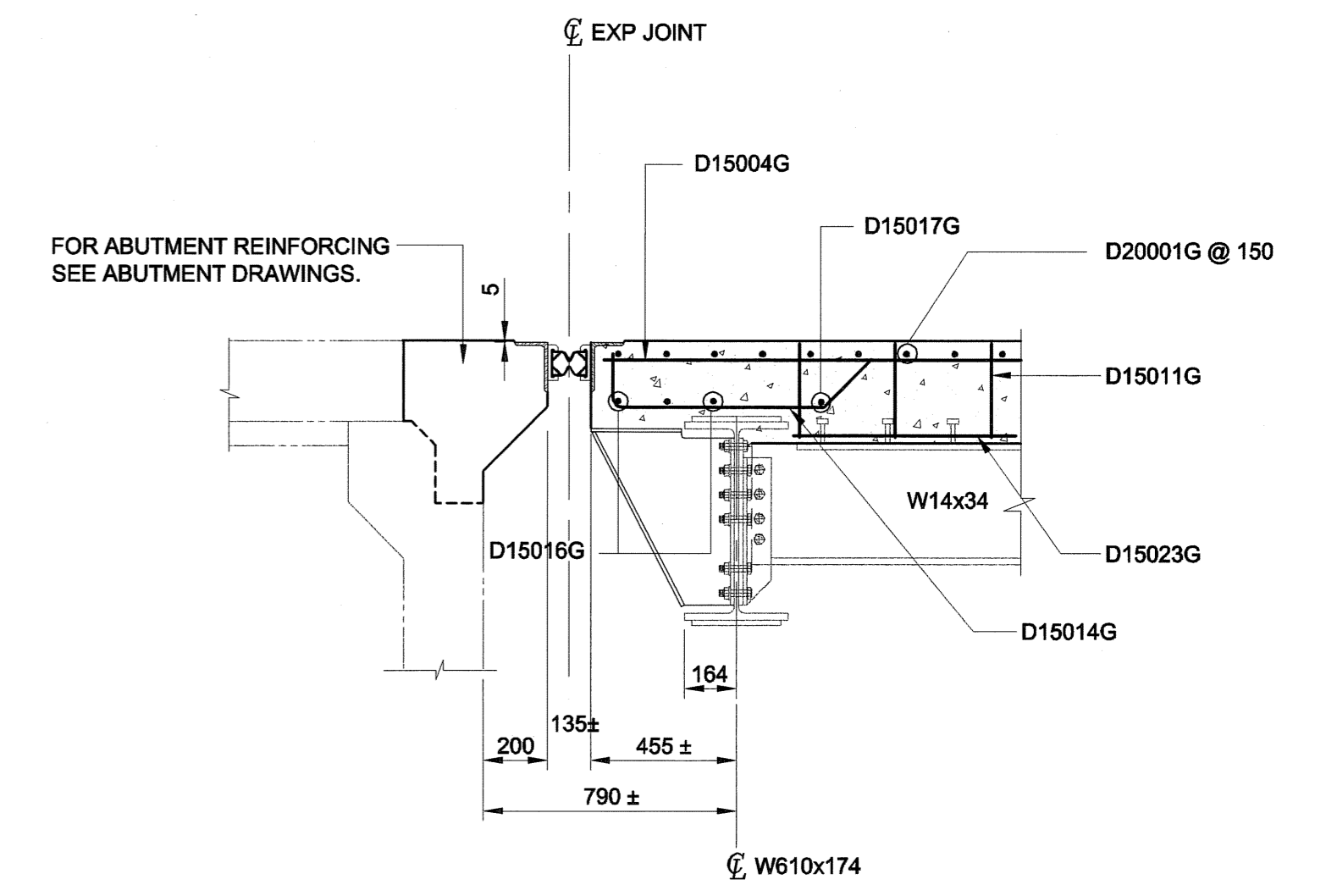
SECTION A
SCALE 1:20
TYPICAL OF ALL SPANS



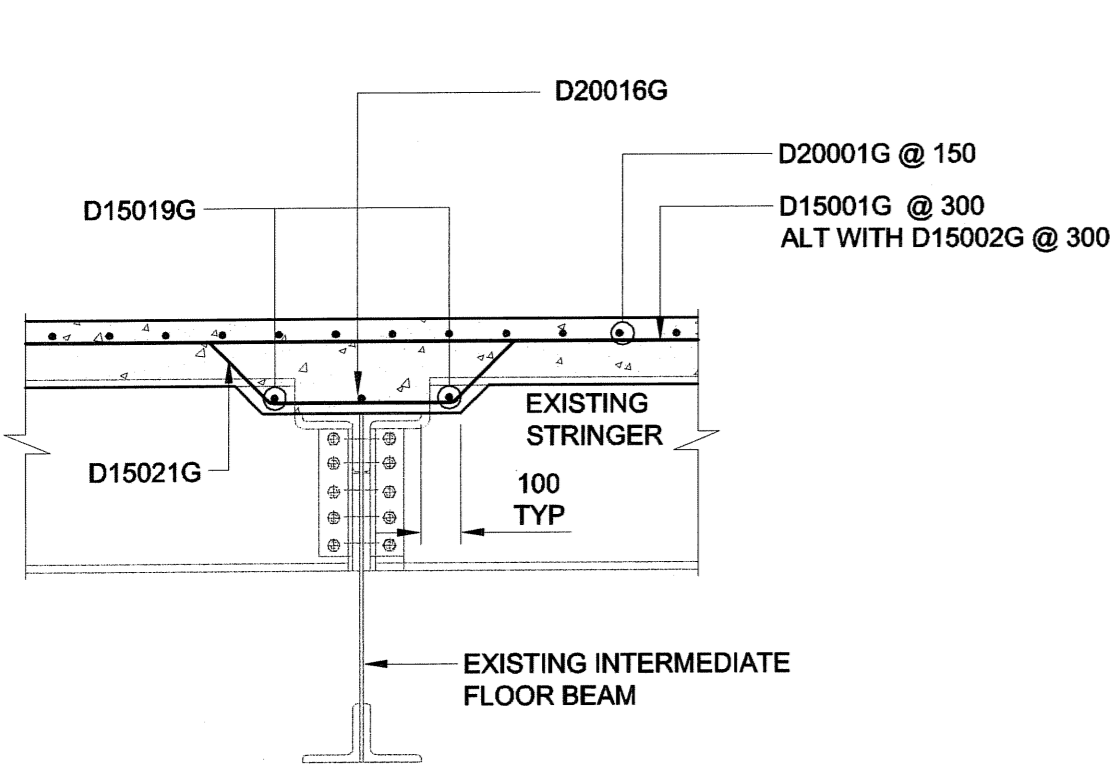
DETAIL 1
SCALE 1:5



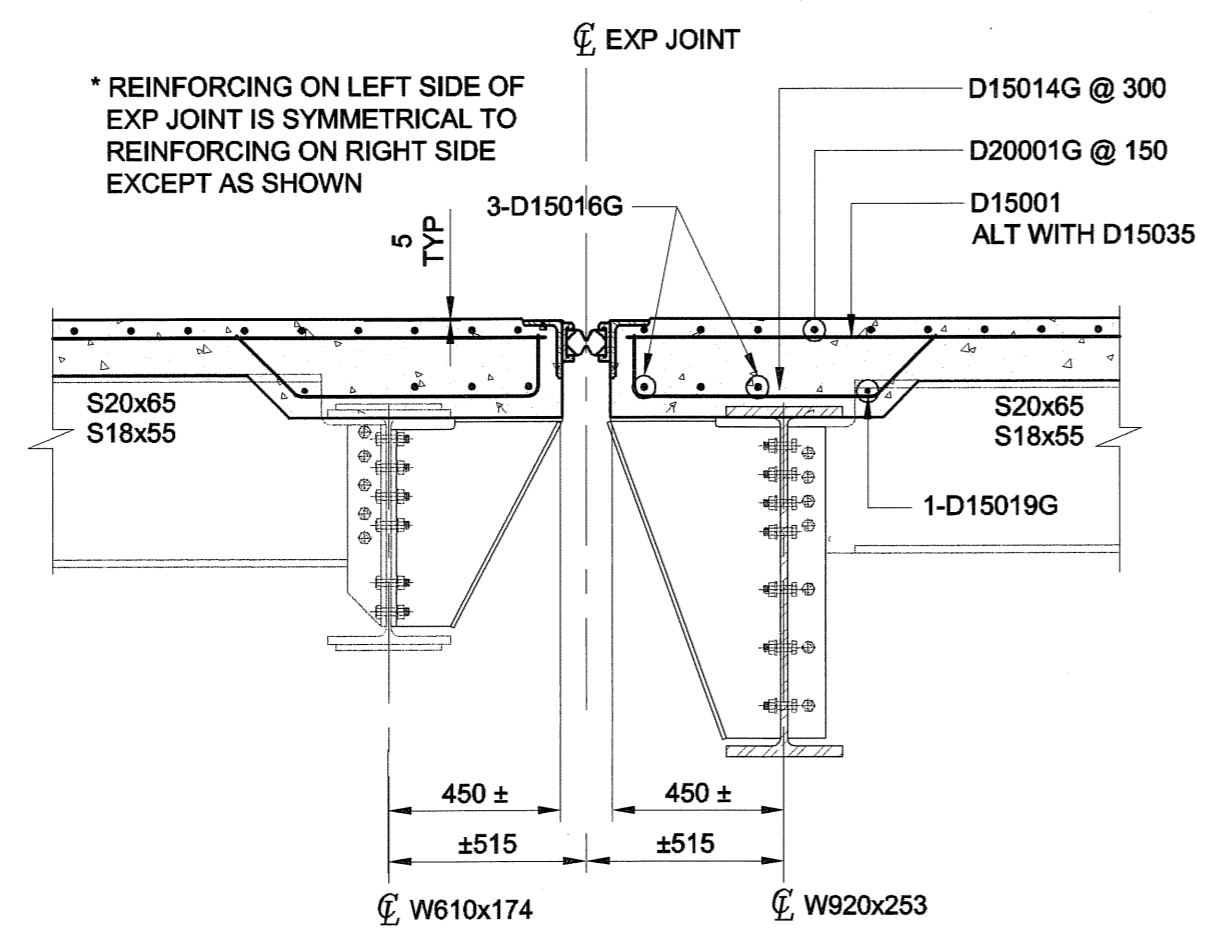
SECTION B
SCALE 1:20
WEST ABUTMENT
EAST ABUTMENT SIMILAR
EXCEPT OPPOSITE HAND



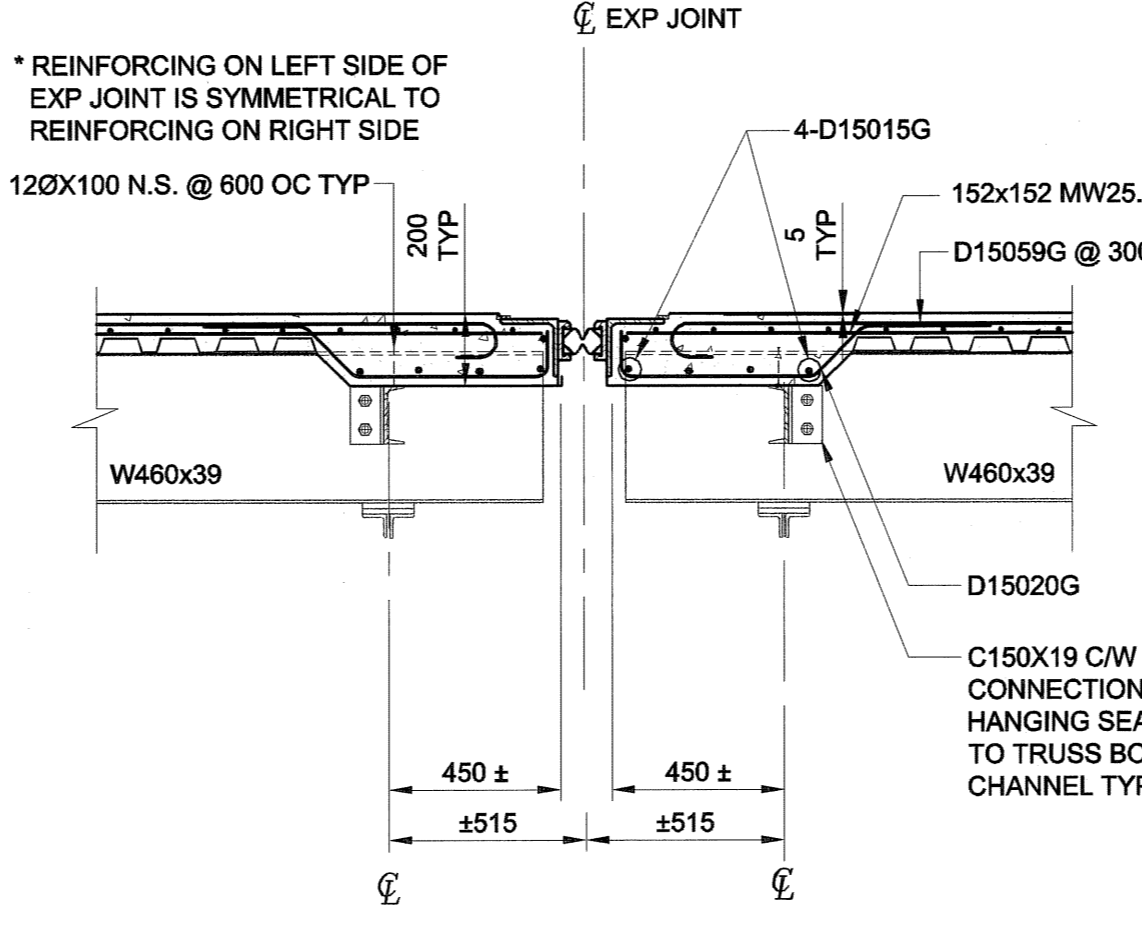
SECTION C
SCALE 1:20
WEST ABUTMENT
EAST ABUTMENT SIMILAR
EXCEPT OPPOSITE HAND



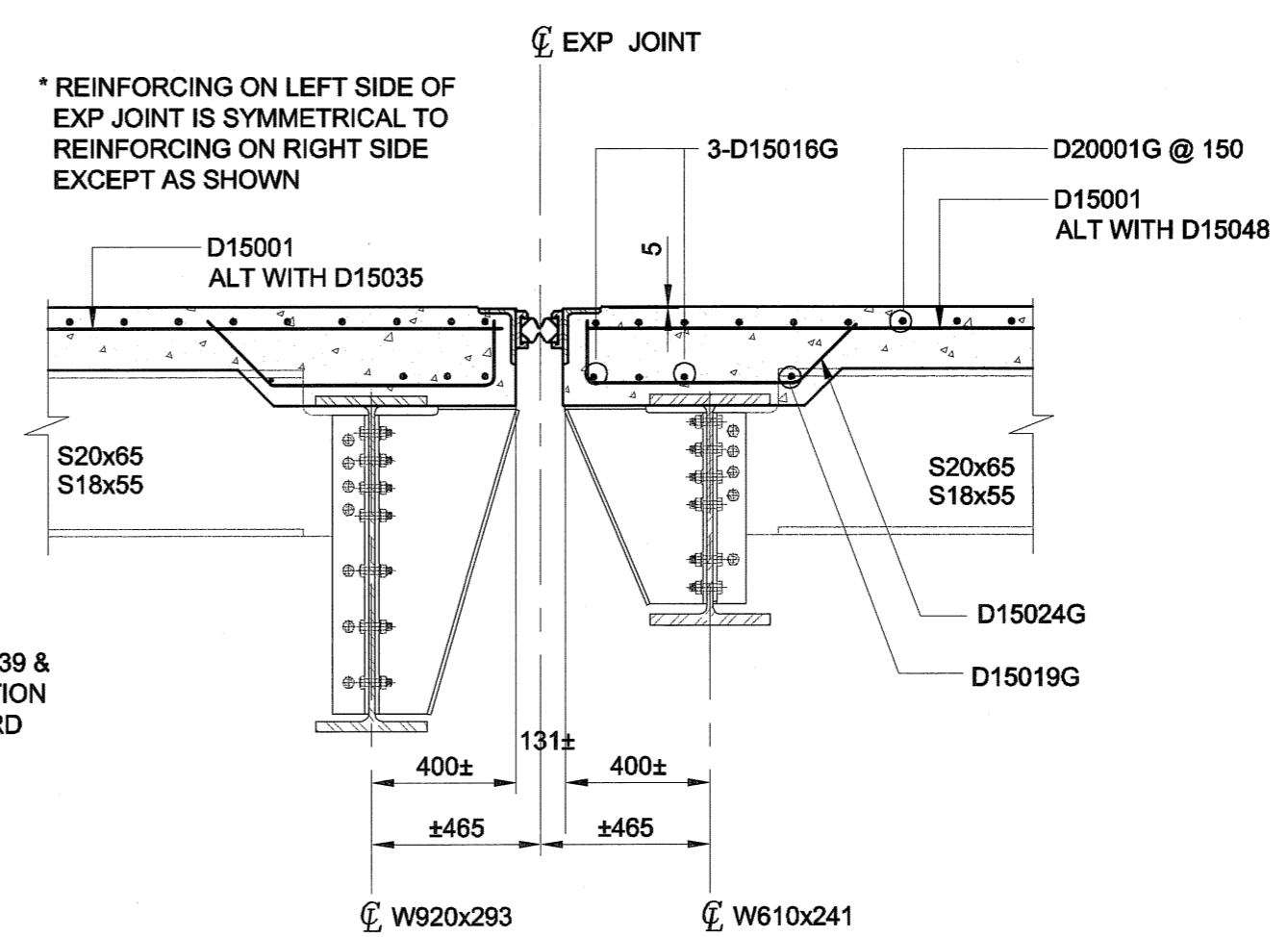
SECTION D
SCALE 1:20
TYPICAL INTERIOR EXISTING BEAM



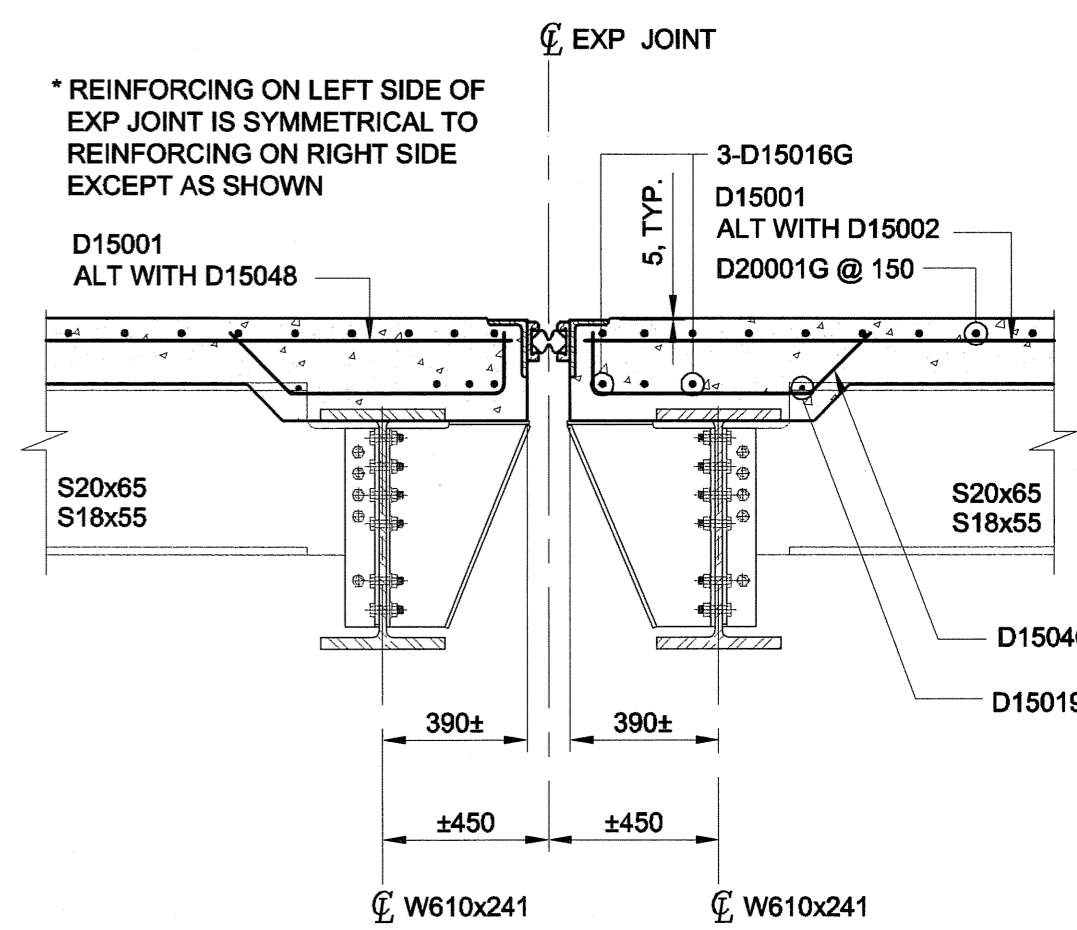
SECTION E
SCALE 1:20
PIER #2



SECTION F
SCALE 1:20
SECTION THROUGH SIDEWALK



SECTION G
SCALE 1:20
PIER #4



SECTION H
SCALE 1:20
PIER #5

NOTE:
ALL DIMENSIONS SHOWN ON THE DRAWINGS ARE BASED ON AVAILABLE INFORMATION AND RECORD DRAWINGS. THE CONTRACTOR SHALL FIELD MEASURE AND VERIFY ALL DIMENSIONS PRIOR TO COMMENCING CONSTRUCTION OR PRIOR TO PREPARATION OF SHOP DRAWINGS. THE CONTRACTOR SHALL MAKE THE APPROPRIATE ADJUSTMENTS TO THE APPLICABLE DETAILS AND DIMENSIONS ACCEPTABLE TO THE CONTRACT ADMINISTRATOR. THE CONTRACTOR SHALL THEN FABRICATE AND CONSTRUCT THE WORKS IN ACCORDANCE WITH THE CORRECTED DIMENSIONS.

METRIC
WHOLE NUMBERS INDICATE MILLIMETRES
DECIMALIZED NUMBERS INDICATE METRES

APCGM
Certificate of Authorization
UMA Engineering Ltd.
No. 256 Expiry: April 30, 2006

UMA Engineering Ltd. • Consulting • Engineering • Construction • Management Services	
DESIGNED BY: BLL	CHECKED BY: SBB
DRAWN BY: VK	APPROVED BY: <i>BUS</i>
HOR. SCALE: AS SHOWN	ACCEPTED BY: <i>[Signature]</i>
VERT. SCALE: AS SHOWN	DATE: 2005 07 07
NO. REVISIONS	BY

ENGINEER'S SEAL
PROVINCE OF MANITOBA
[Signature]
B.L. LAU
REGISTERED PROFESSIONAL ENGINEER
CONSULTANT DRAWING NO. 42
0285-376-00

THE CITY OF WINNIPEG PUBLIC WORKS DEPARTMENT

REDWOOD BRIDGE REHABILITATIVE MAINTENANCE AND RELATED WORKS
DECK SLAB REINFORCING DETAILS I

CITY DRAWING NUMBER: B113-05-42
SHEET 42 OF 74
REV 0

Bid Opportunity No. 257-2005