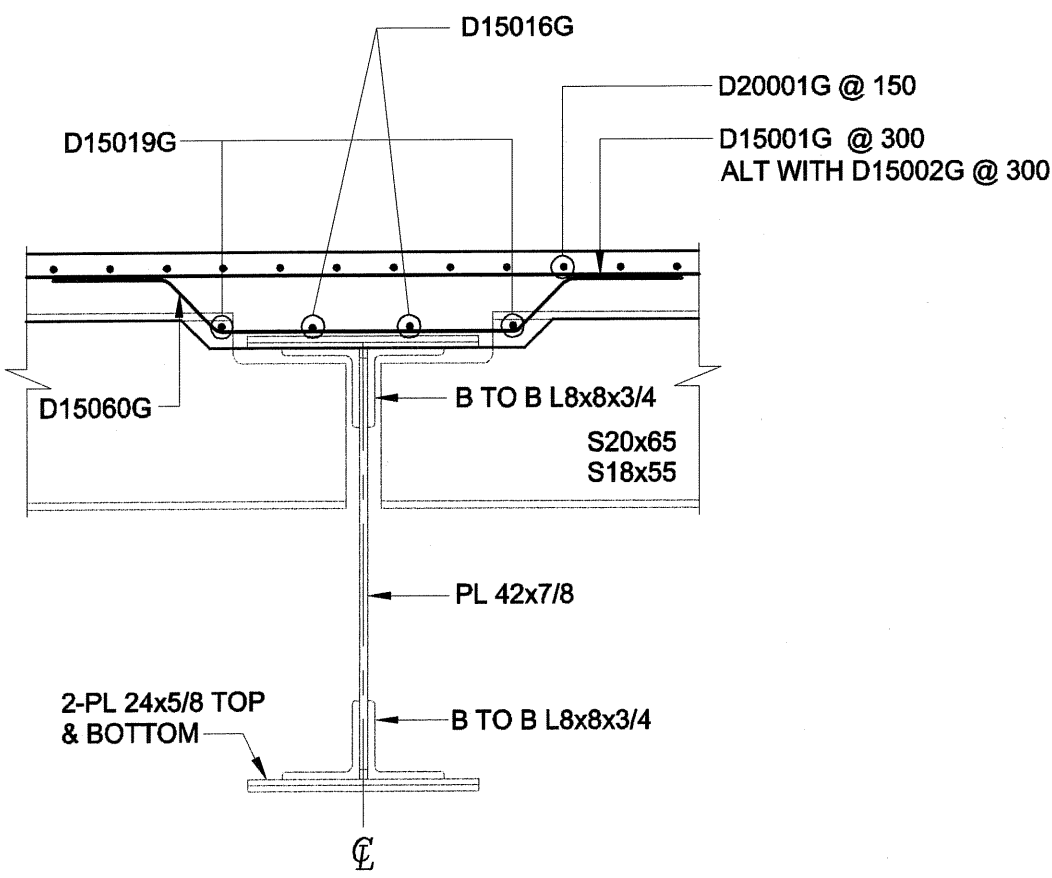
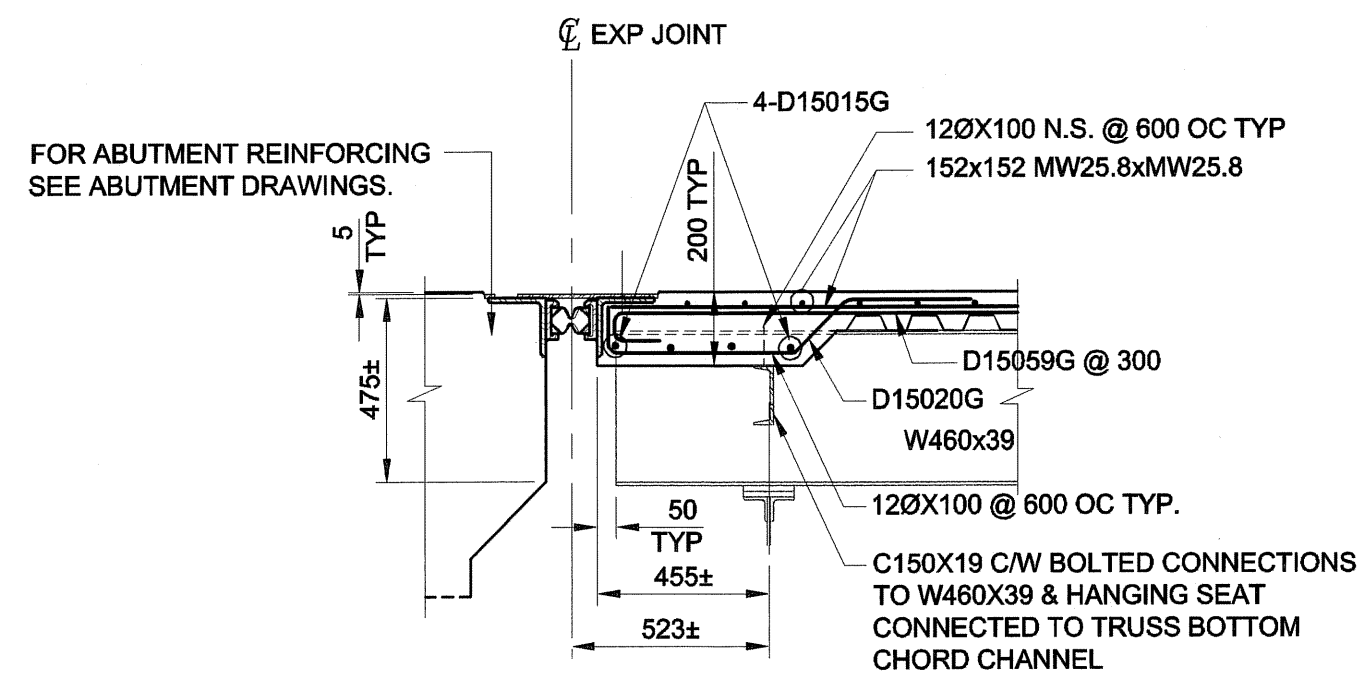


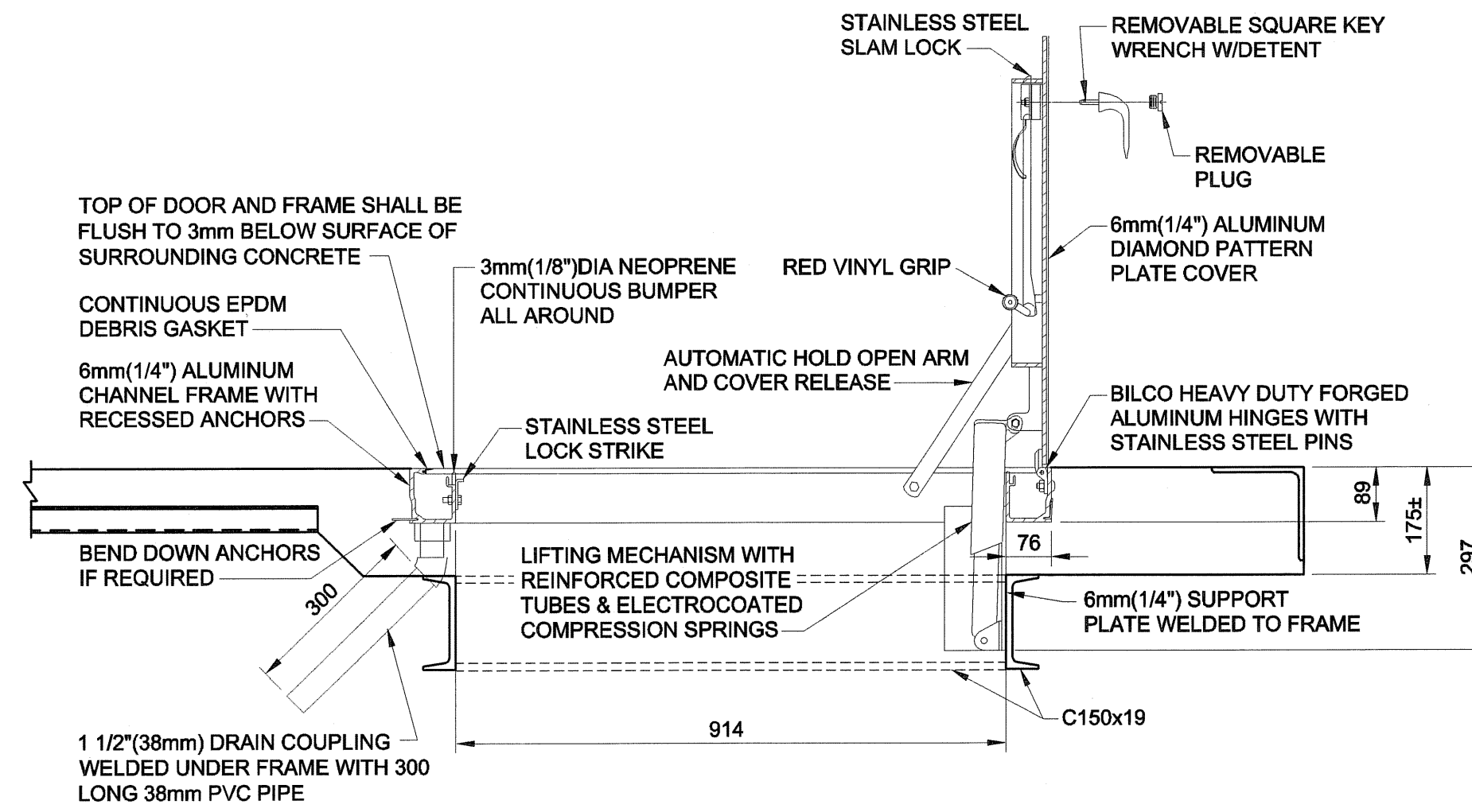
D SIZE 22" x 34" (559mm x 864mm)



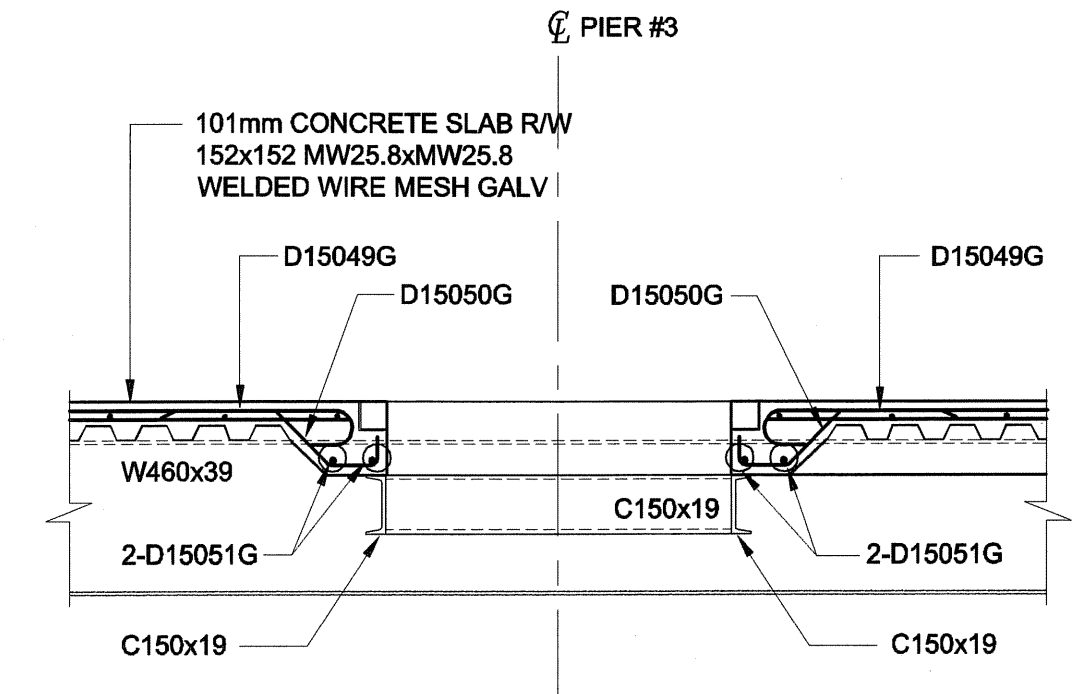
SECTION K
SCALE 1:20



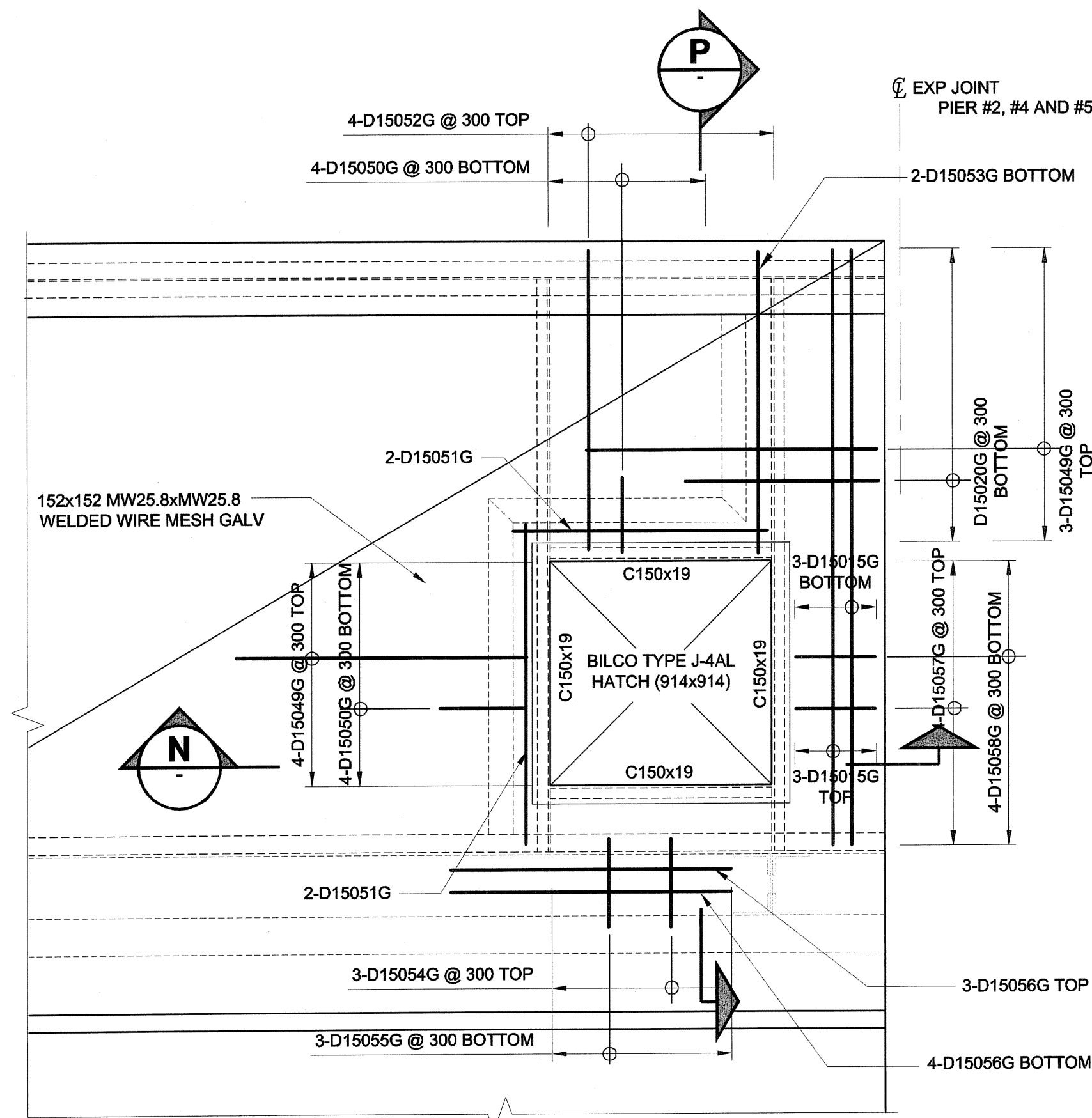
SECTION L
SCALE 1:20
WEST ABUTMENT
EAST ABUTMENT SIMILAR
EXCEPT OPPOSITE HAND



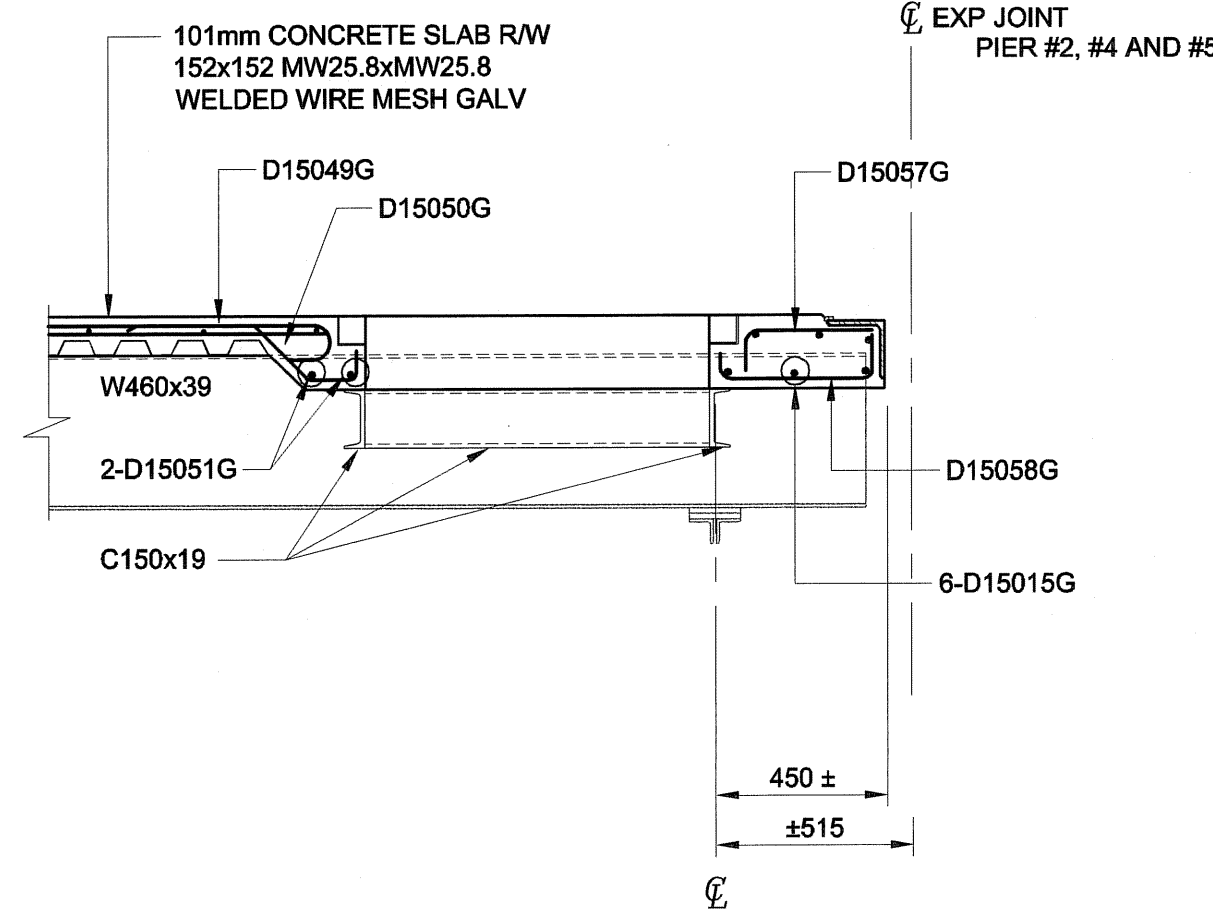
BILCO SIDEWALK DOOR
SCALE 1:10
TYPE J-4AL



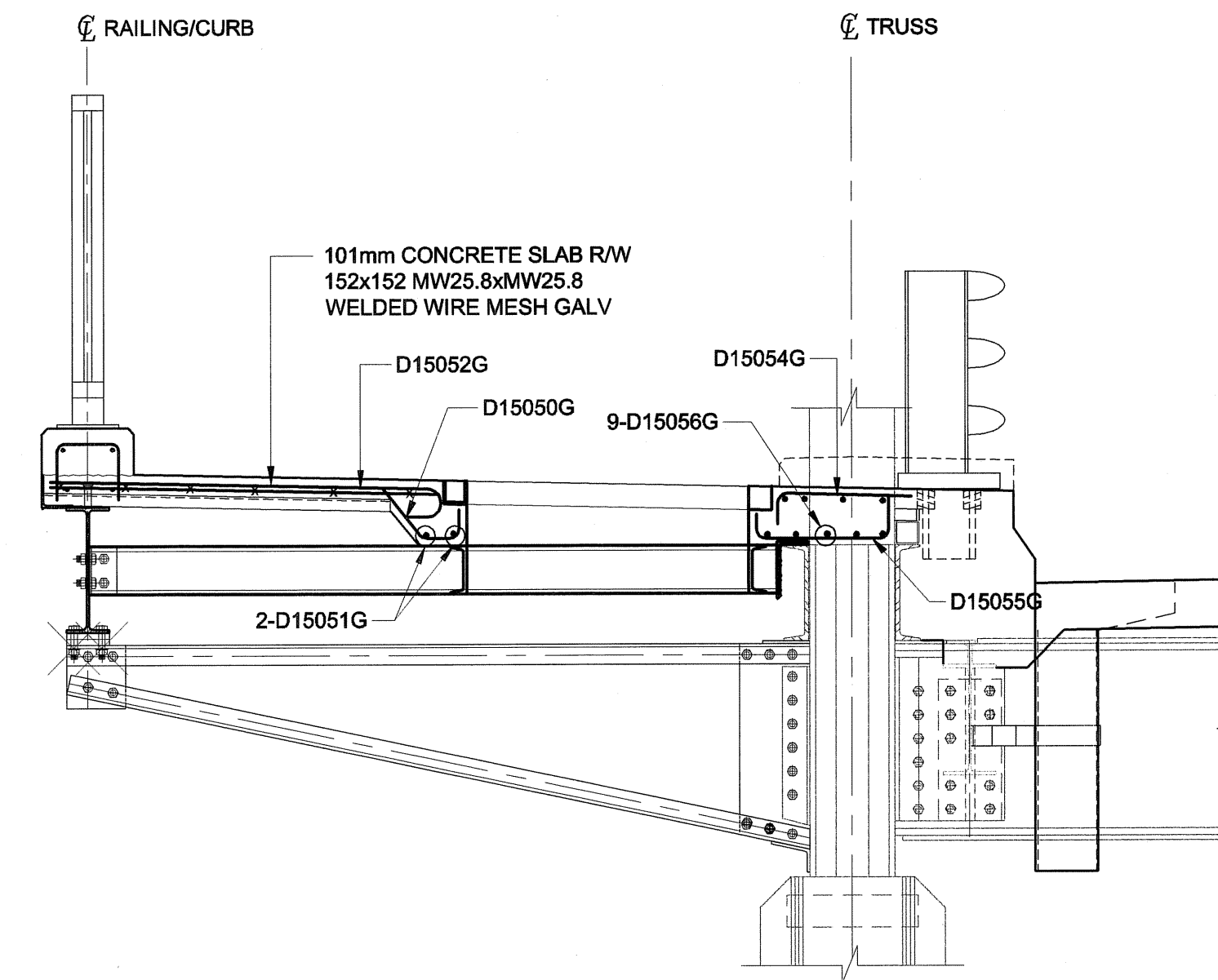
SECTION M
SCALE 1:20
PIER #3
SECTION THROUGH HATCH



DETAIL 1
SCALE 1:20
PIER #2
HATCH DETAIL
PIER #4 AND #5 SIMILAR



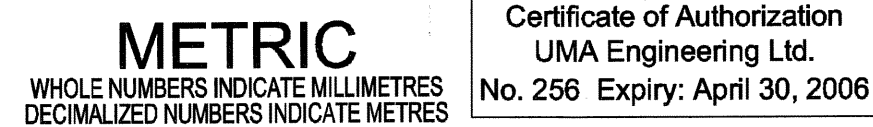
SECTION N
SCALE 1:20
PIER #2
SECTION THROUGH HATCH
PIER #4 AND PIER #5 ARE SIMILAR



SECTION P
SCALE 1:20
PIER #2
SECTION THROUGH HATCH
PIER #3, #4 AND #5 ARE SIMILAR

NOTE:

ALL DIMENSIONS SHOWN ON THE DRAWINGS ARE BASED ON AVAILABLE INFORMATION AND RECORD DRAWINGS. THE CONTRACTOR SHALL FIELD MEASURE AND VERIFY ALL DIMENSIONS PRIOR TO COMMENCING CONSTRUCTION OR PRIOR TO PREPARATION OF SHOP DRAWINGS. THE CONTRACTOR SHALL MAKE THE APPROPRIATE ADJUSTMENTS TO THE APPLICABLE DETAILS AND DIMENSIONS ACCEPTABLE TO THE CONTRACT ADMINISTRATOR. THE CONTRACTOR SHALL THEN FABRICATE AND CONSTRUCT THE WORKS IN ACCORDANCE WITH THE CORRECTED DIMENSIONS.



PLOT SCALE: 1"=10' (25.4mm=304.8mm) P:\0285\355-03\AutoCAD\355-03_01-5-0043_355-03.dwg 2003-08-20 3:00pm CGC

UMA Engineering Ltd. • Consulting • Engineering • Construction • Management Services			THE CITY OF WINNIPEG PUBLIC WORKS DEPARTMENT REDWOOD BRIDGE REHABILITATIVE MAINTENANCE AND RELATED WORKS DECK SLAB REINFORCING DETAILS II	CITY DRAWING NUMBER B113-05-43
DESIGNED BY: BLL	CHECKED BY: SBB			SHEET 43 OF 74
DRAWN BY: VK	APPROVED BY: <i>B.S.B.</i>	CONSULTANT DRAWING NO. 43	REV 43 0	
HOR. SCALE: AS SHOWN	ACCEPTED BY: <i>Merrill</i>	0265-376-00		
VERT. SCALE: AS SHOWN	DATE: 2005 07 07			
NO. REVISIONS	YYMMDD BY			

Bid Opportunity No. 257-2005