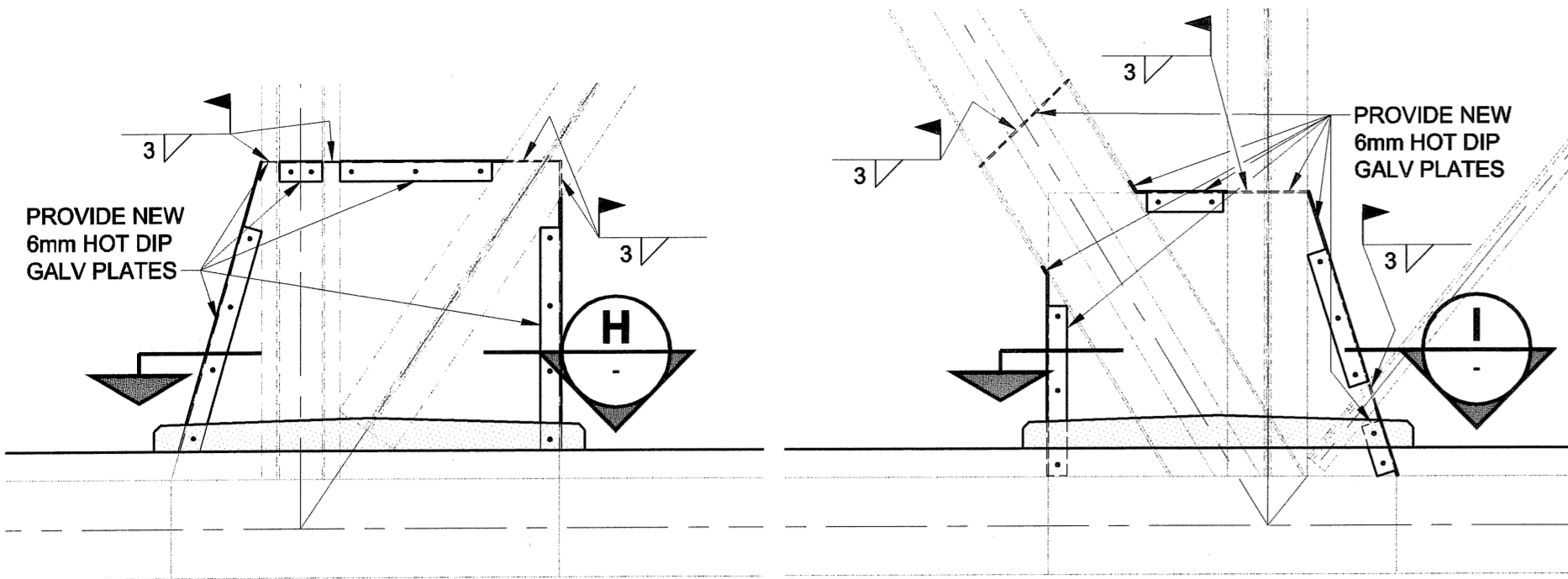
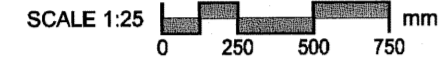


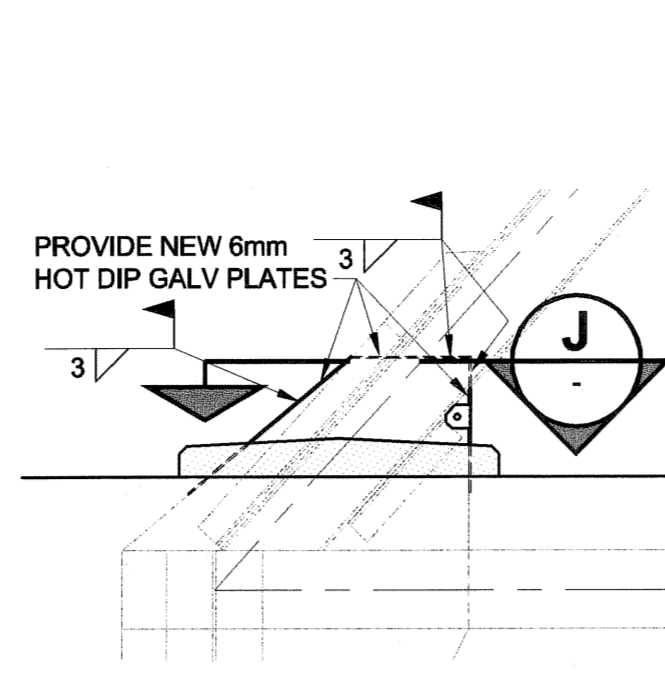
D SIZE 22" x 34" (569mm x 864mm)



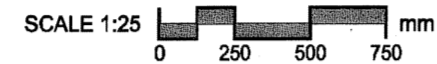
**SPAN 2 PARTIAL SOUTH ELEVATION**



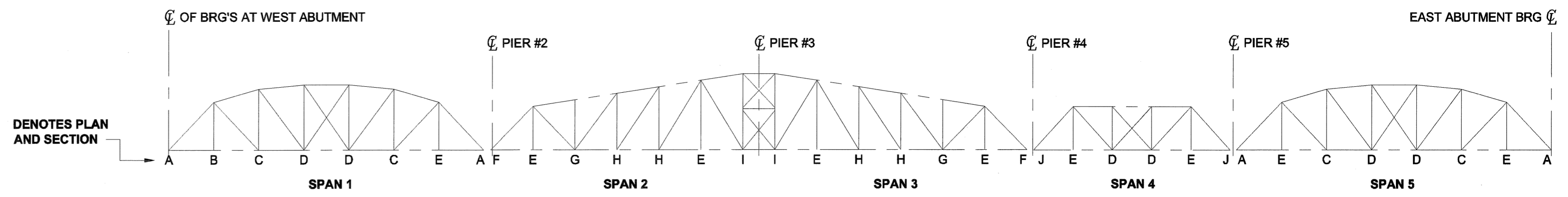
SPAN 3 TYPICAL OPPOSITE HAND  
SEE SOUTH ELEVATION



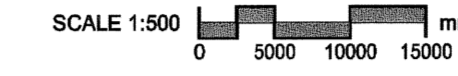
**SPAN 4 PARTIAL SOUTH ELEVATION**



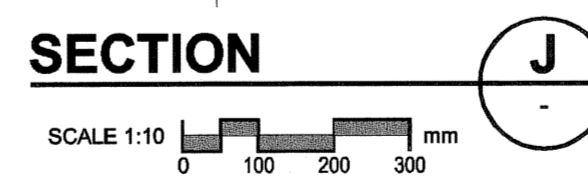
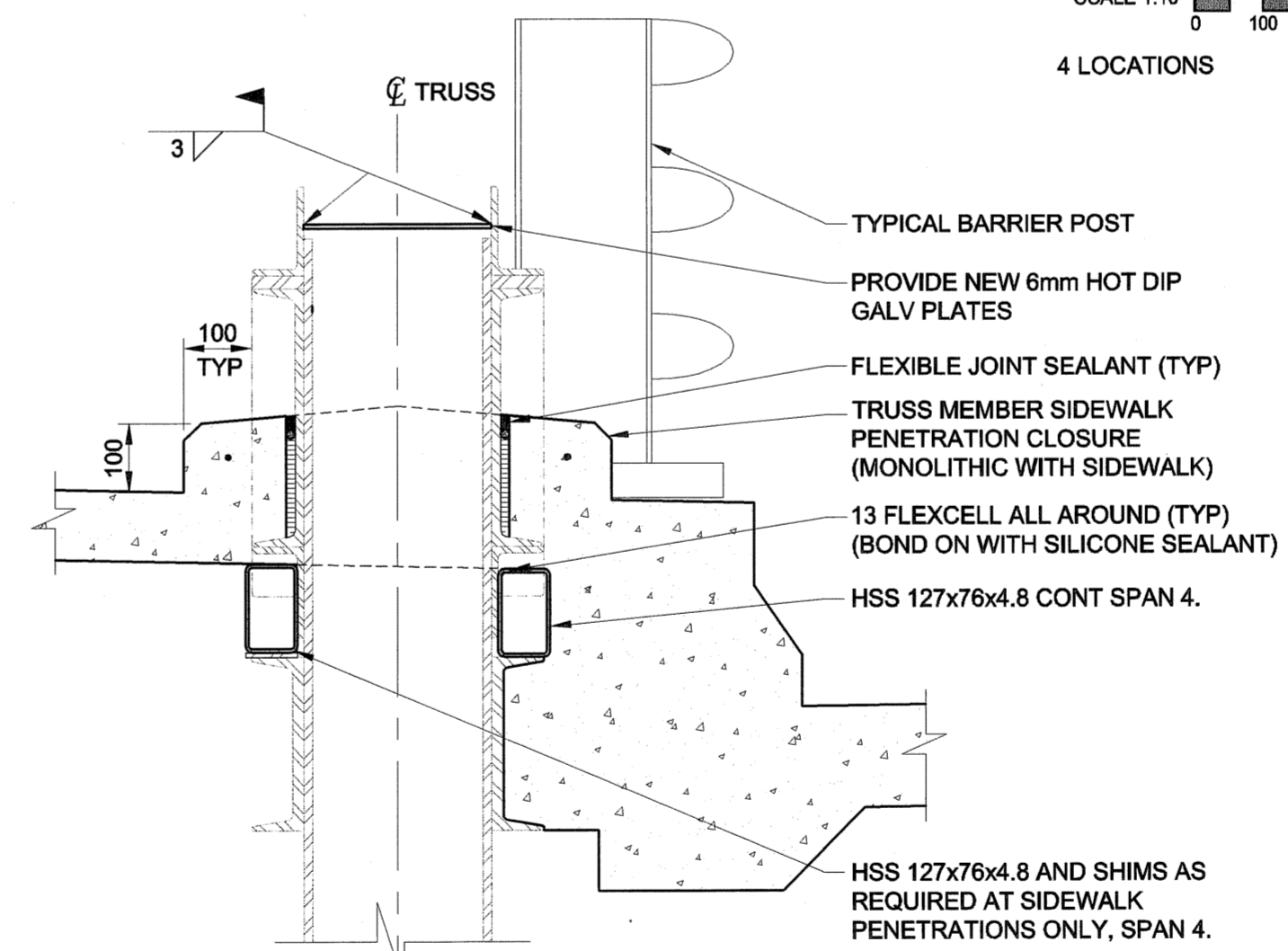
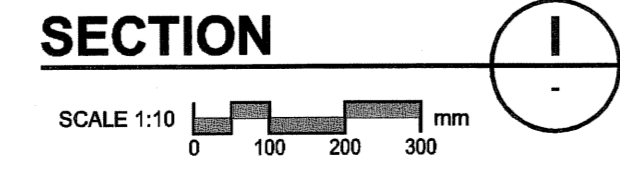
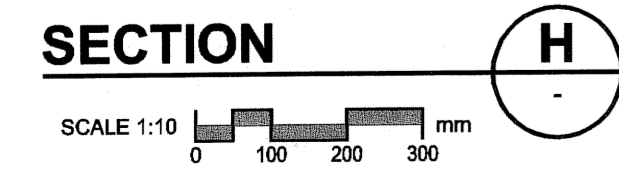
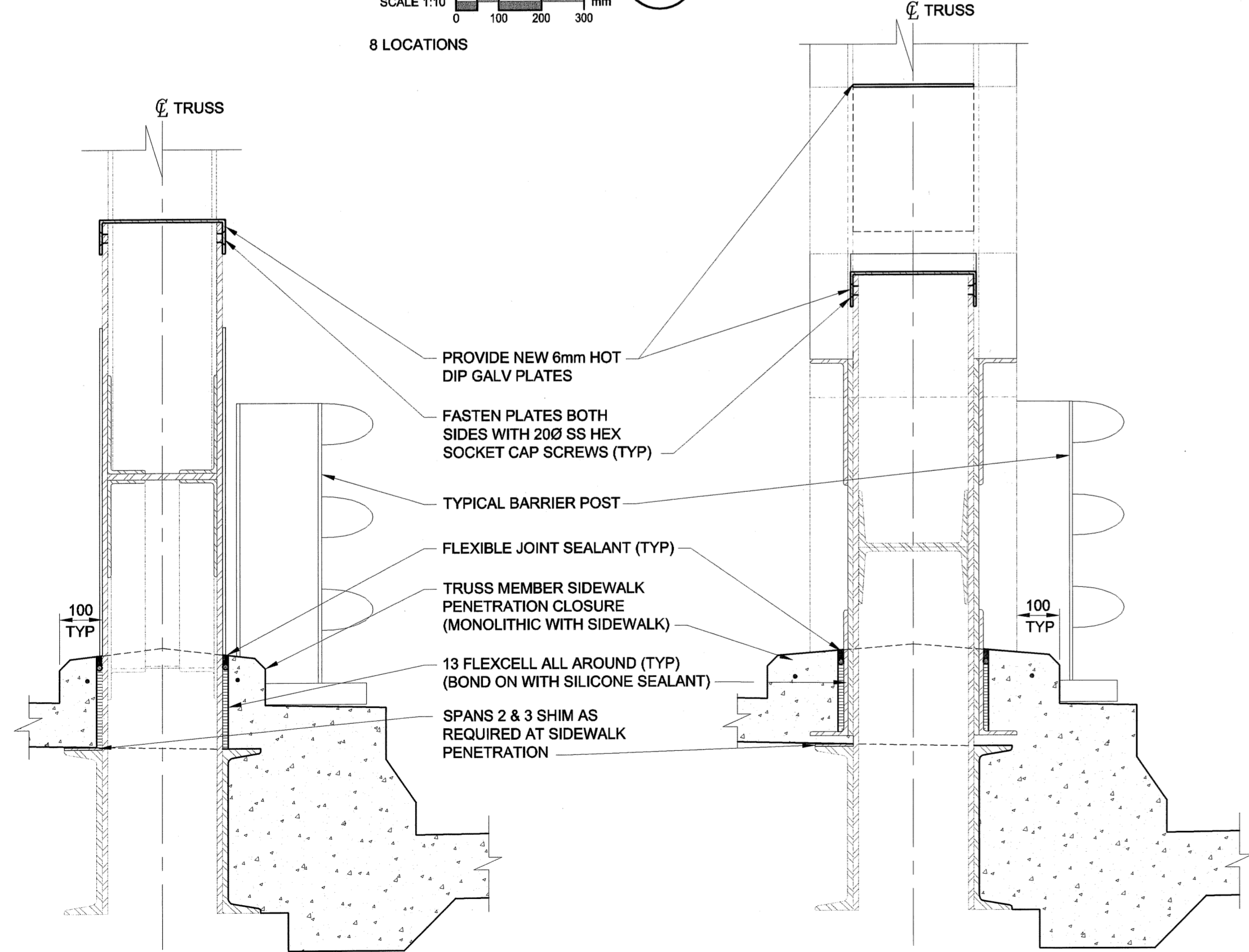
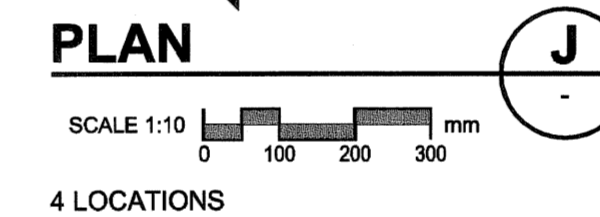
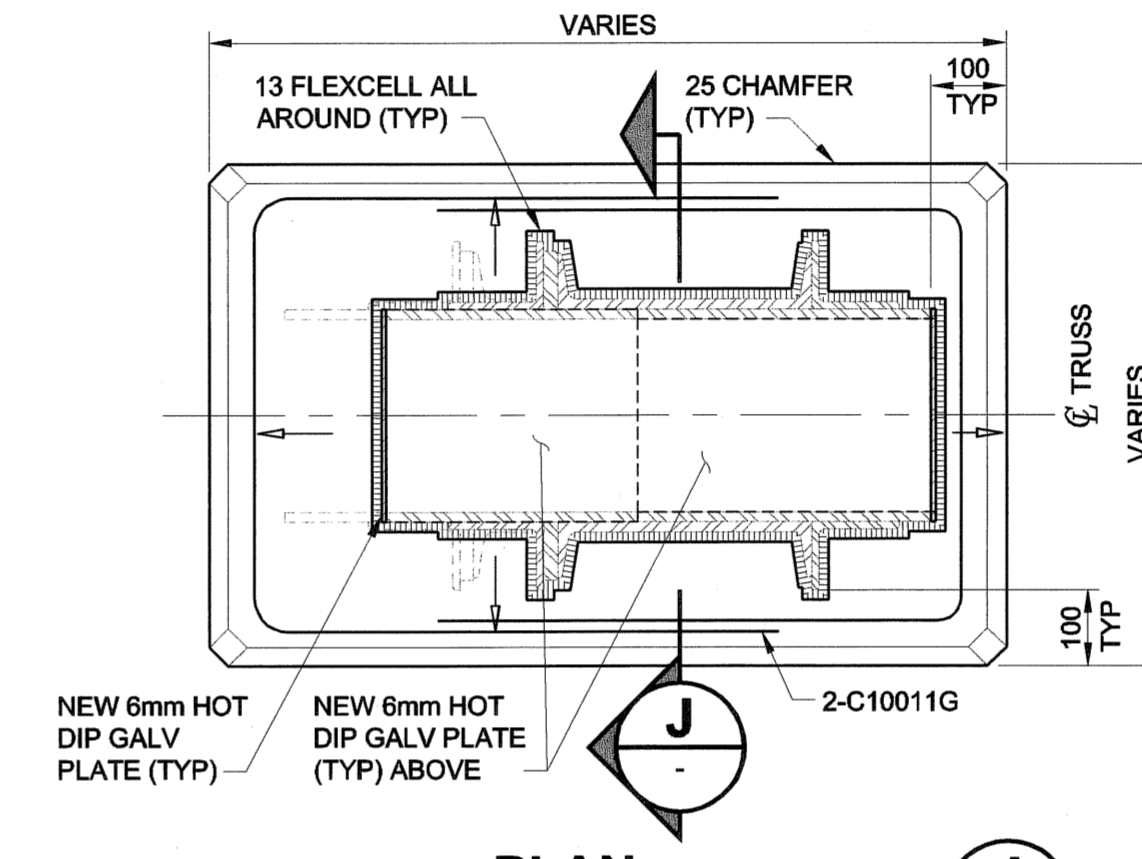
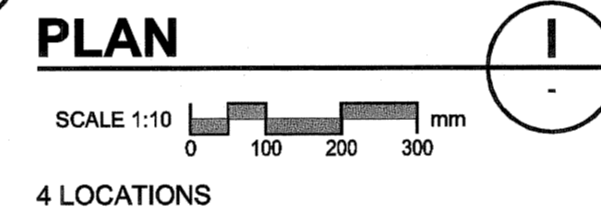
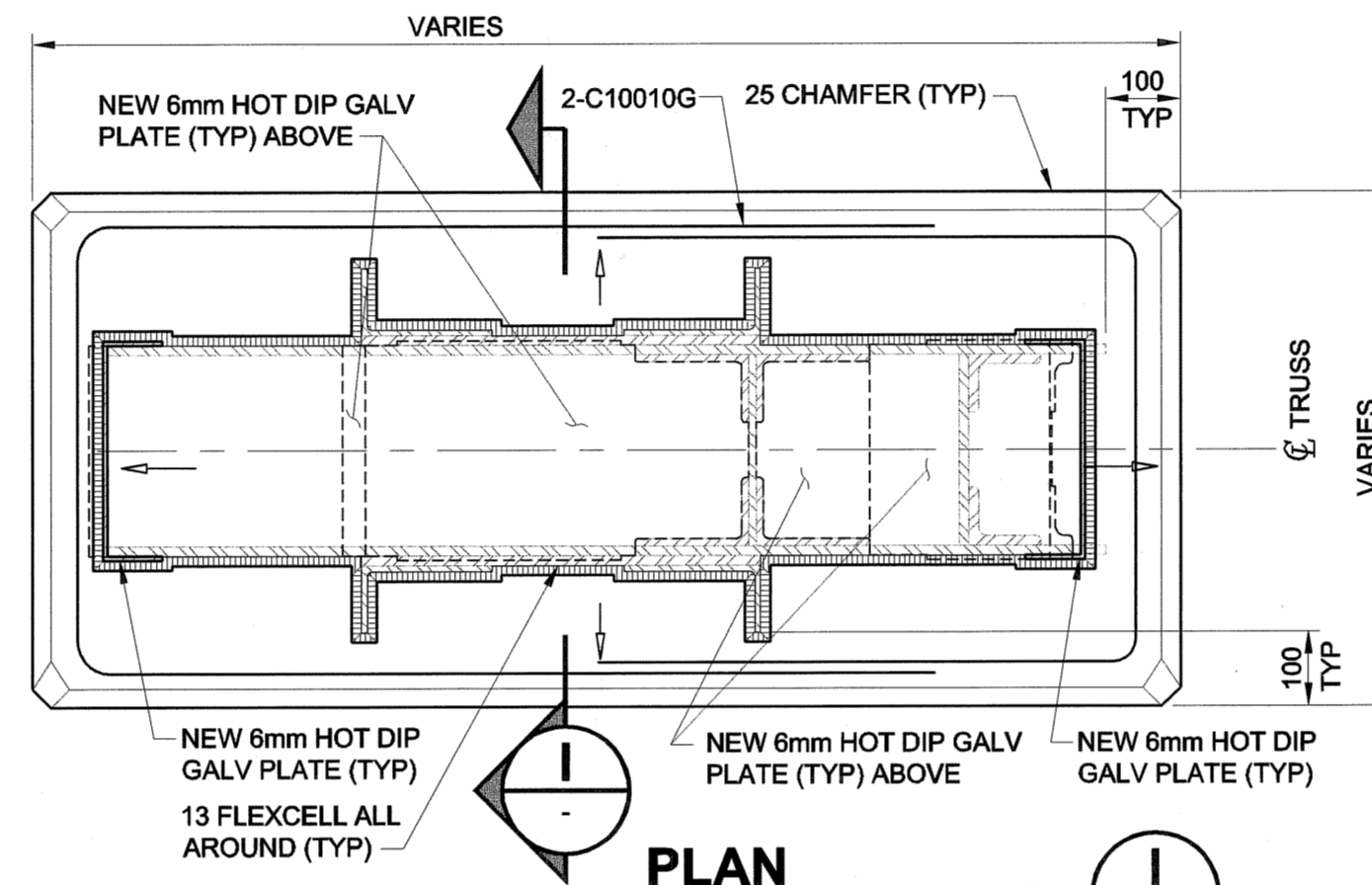
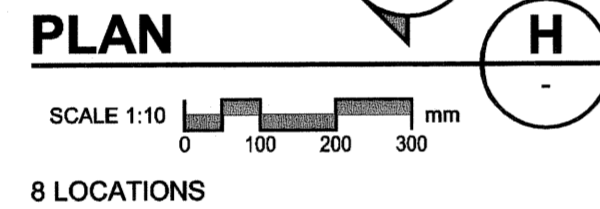
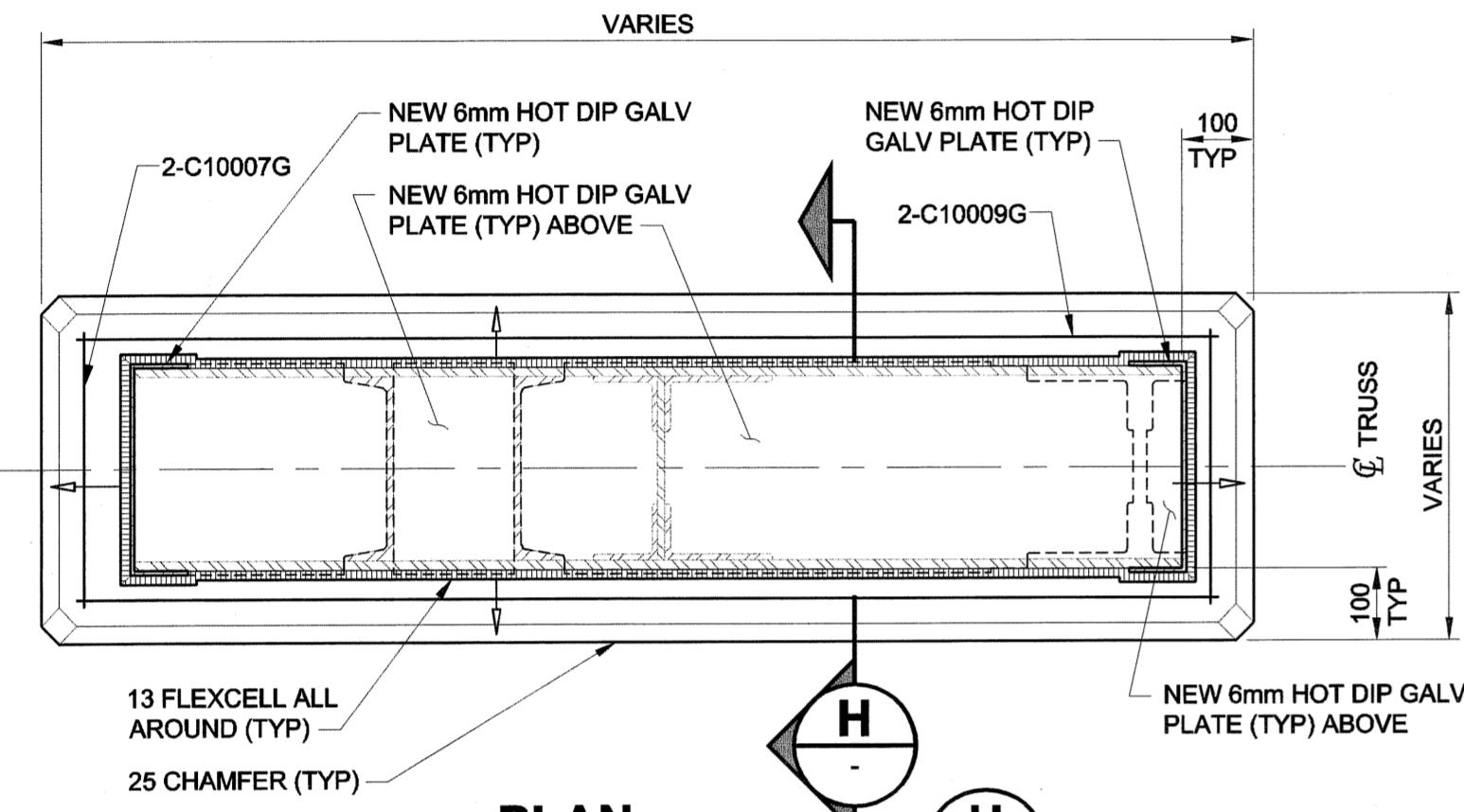
TYPICAL OPPOSITE HAND



**SOUTH ELEVATION**



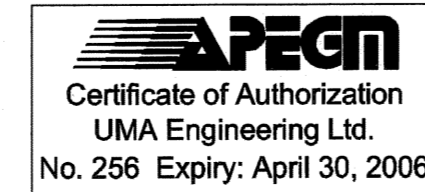
NORTH SIDE SIMILAR



SEE DRAWING 44 FOR NOTES

**METRIC**  
WHOLE NUMBERS INDICATE MILLIMETRES  
DECIMALIZED NUMBERS INDICATE METRES

Bid Opportunity No. 257-2005



<b>UMA Engineering Ltd.</b> • Consulting • Engineering • Construction • Management Services	
DESIGNED BY: <b>BLL</b>	CHECKED BY: <b>SBB</b>
DRAWN BY: <b>CGC</b>	APPROVED BY: <b>BUB</b>
HOR. SCALE: AS SHOWN	ACCEPTED BY: <i>[Signature]</i>
VERT. SCALE: AS SHOWN	DATE: <b>2005-07-07</b>
NO. REVISIONS	DATE
0 ISSUED FOR CONSTRUCTION 05/07/05 MP	
1	



**THE CITY OF WINNIPEG**  
PUBLIC WORKS DEPARTMENT

**REDWOOD BRIDGE**  
REHABILITATIVE MAINTENANCE AND  
RELATED WORKS

**SIDEWALK PENETRATION CLOSURE DETAILS III**

CITY DRAWING NUMBER  
B113-05-46

SHEET 46 OF 74

**46**

PLOT SCALE 1:10  
PLOT DATE 15/07/05  
PLOT TIME 10:05:55  
PLOT USER P:\2005\565-031\AutoCAD\5-11\Working Drawing\0265-376-00\_01-S-0046\_EK.dwg  
2005-09-20 11:09am CGC