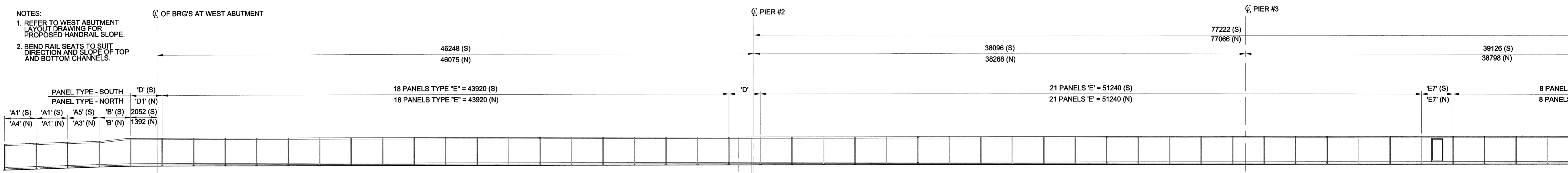
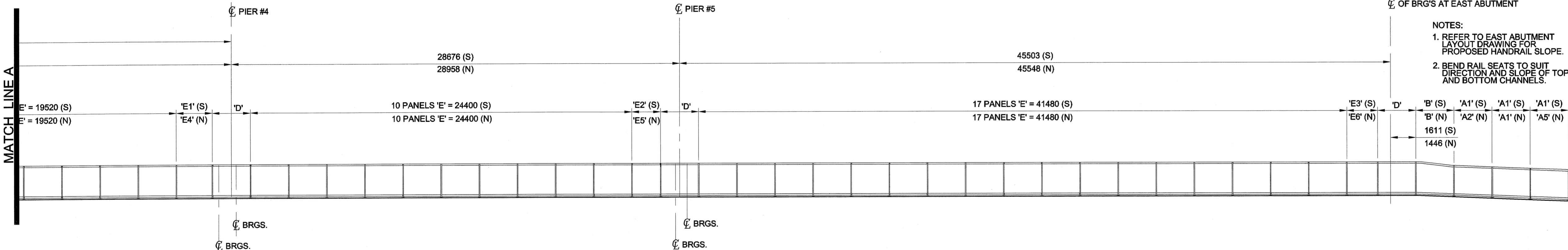
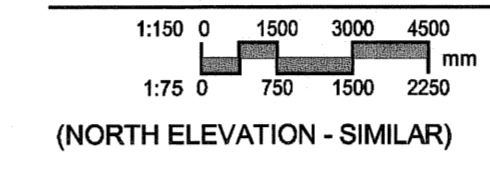


D SIZE 22" x 34" (559mm x 864mm)

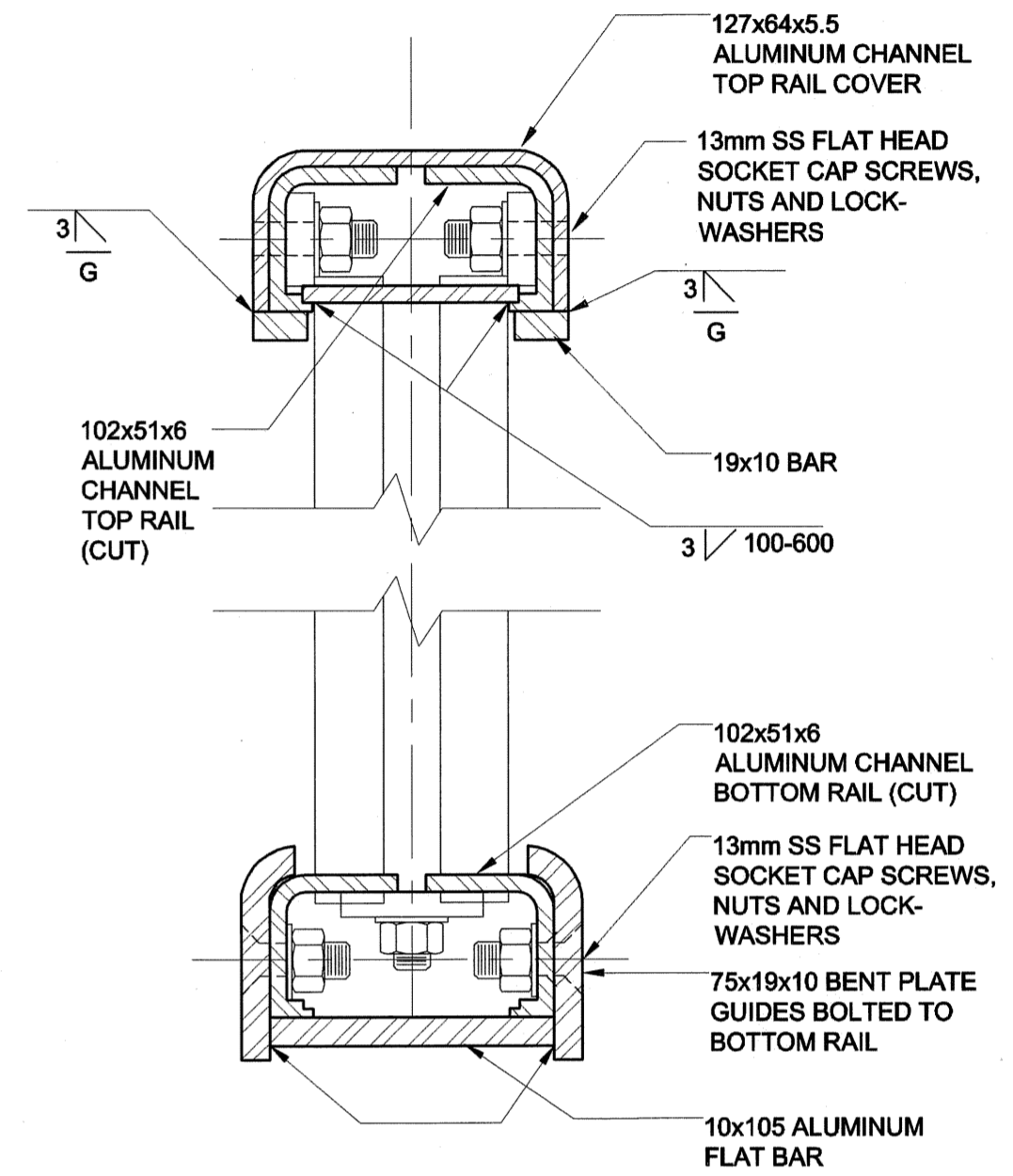
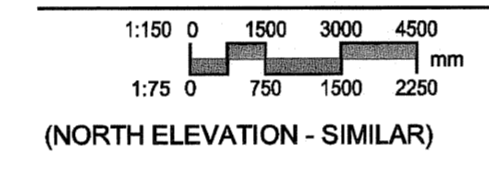
NOTES:  
 1. REFER TO WEST ABUTMENT LAYOUT DRAWING FOR PROPOSED HANDRAIL SLOPE.  
 2. BEND RAIL SEATS TO SUIT DIRECTION AND SLOPE OF TOP AND BOTTOM CHANNELS.



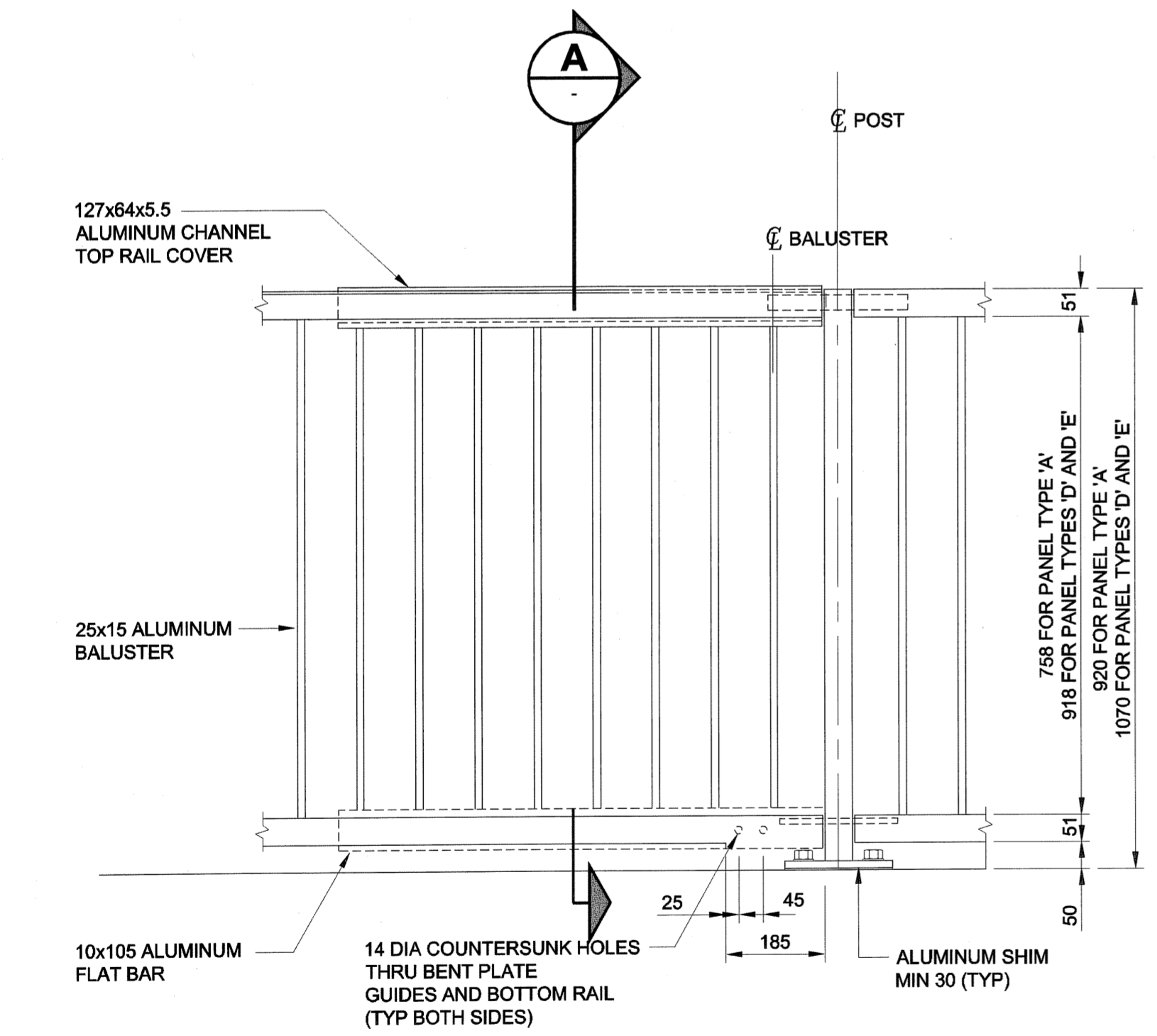
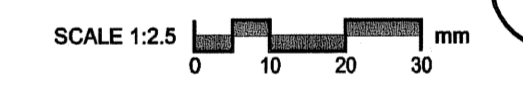
**PARTIAL SOUTH ELEVATION**



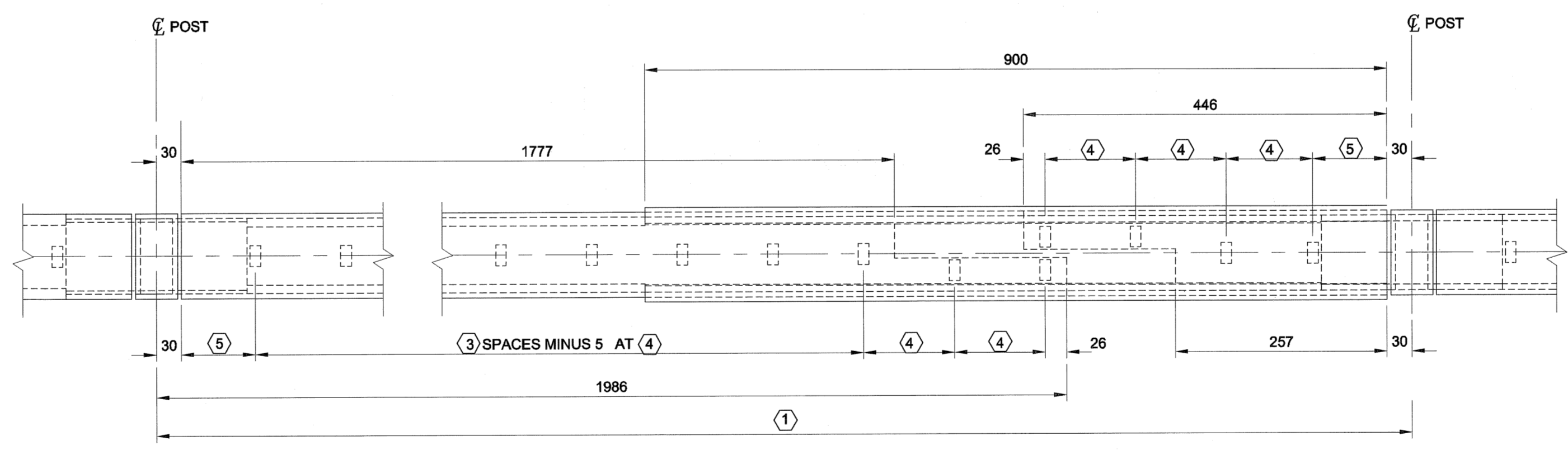
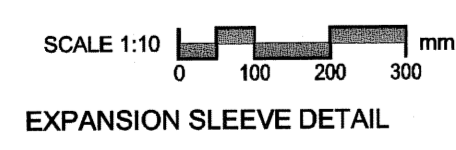
**PARTIAL SOUTH ELEVATION**



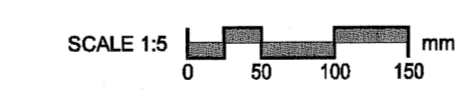
**SECTION A**



**EXPANSION PANEL 'D' - PART ELEVATION**



**EXPANSION PANEL 'D' - PLAN**

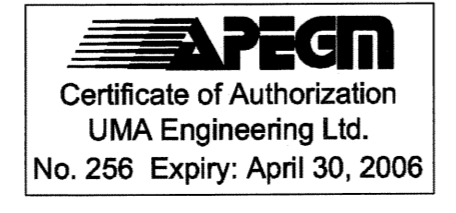


PANEL DATA						
PANEL TYPE	NO. REQ'D	(1)	(2)	(3)	(5)	
'A1'	7	2440	2380	20	110	90
'A2'	1	2200	2140	18	108	98
'A3'	1	1905	1845	15	111	90
'A4'	1	1830	1770	14	113	94
'A5'	2	1608	1548	12	113	96
'B'	4	2440	2380	20	110	90
'D'	9	2440	2380	20	110	90
'D1'	1	1780	1720	14	110	90
'E'	148	2440	2380	20	110	90
'E1'	1	2302	2242	18	114	95
'E2'	1	1830	1770	14	113	94
'E3'	1	1980	1920	15	115	97.5
'E4'	1	1973	1913	15	115	94
'E5'	1	2118	2058	17	110	94
'E6'	1	1854	1794	14	114	99
'E7'	2					

SEE DWG 56

NOTE:  
 ALL DIMENSIONS SHOWN ON THE DRAWINGS ARE BASED ON AVAILABLE INFORMATION AND RECORD DRAWINGS. THE CONTRACTOR SHALL FIELD MEASURE AND VERIFY ALL DIMENSIONS PRIOR TO COMMENCING CONSTRUCTION OR PRIOR TO PREPARATION OF SHOP DRAWINGS. THE CONTRACTOR SHALL MAKE THE APPROPRIATE ADJUSTMENTS TO THE APPLICABLE DETAILS AND DIMENSIONS ACCEPTABLE TO THE CONTRACT ADMINISTRATOR. THE CONTRACTOR SHALL THEN FABRICATE AND CONSTRUCT THE WORKS IN ACCORDANCE WITH THE CORRECTED DIMENSIONS.

**METRIC**  
 WHOLE NUMBERS INDICATE MILLIMETRES  
 DECIMALIZED NUMBERS INDICATE METRES



DESIGNED BY	BLL
CHECKED BY	SBB
DRAWN BY	VK
APPROVED BY	<i>BuB</i>
HOR. SCALE	AS SHOWN
VERT. SCALE	AS SHOWN
ACCEPTED BY	<i>Meind</i>
DATE	2005 07 07



**THE CITY OF WINNIPEG PUBLIC WORKS DEPARTMENT**

**REDWOOD BRIDGE REHABILITATIVE MAINTENANCE AND RELATED WORKS**

**ALUMINUM PEDESTRIAN HANDRAIL LAYOUT AND ELEVATIONS**

CITY DRAWING NUMBER B113-05-54  
 SHEET 54 OF 74  
 REV 54 0

CONSULTANT DRAWING NO. 54  
 0265-376-00

Bid Opportunity No. 257-2005

PLOT SCALE 1:1 AutoCAD 15.08 P:\02650355-03\AutoCAD\B-11 Working Drawings\0265-355-03\_01-S-0054\_RX.dwg 2003-08-20 3:11pm CGC