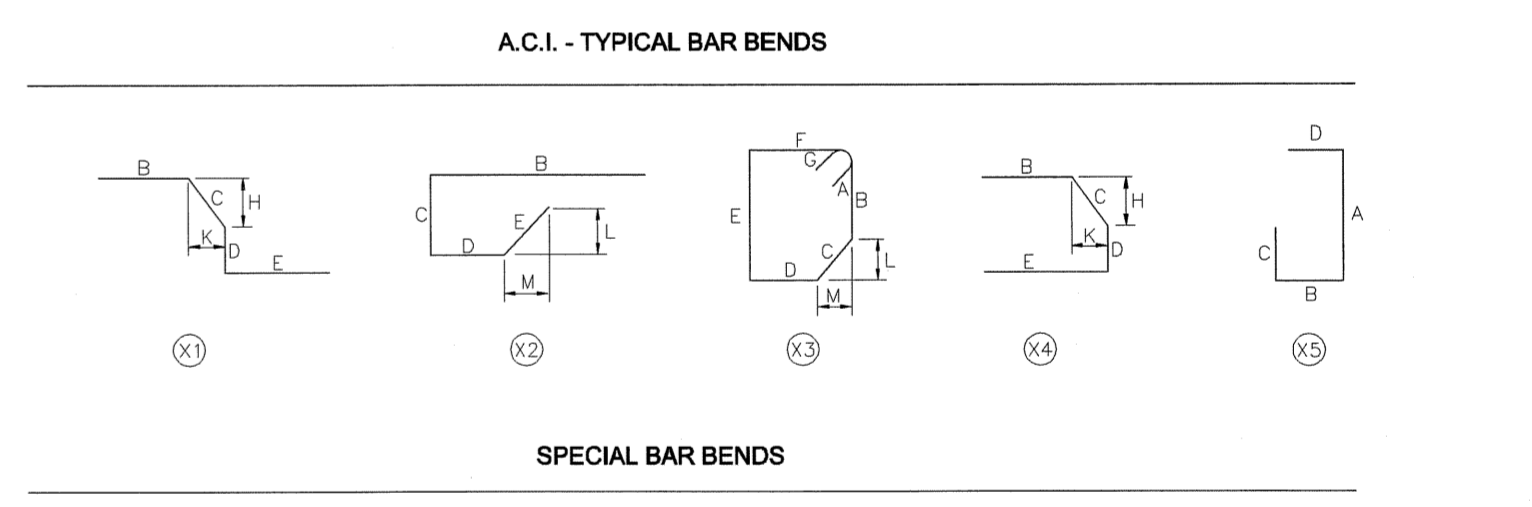
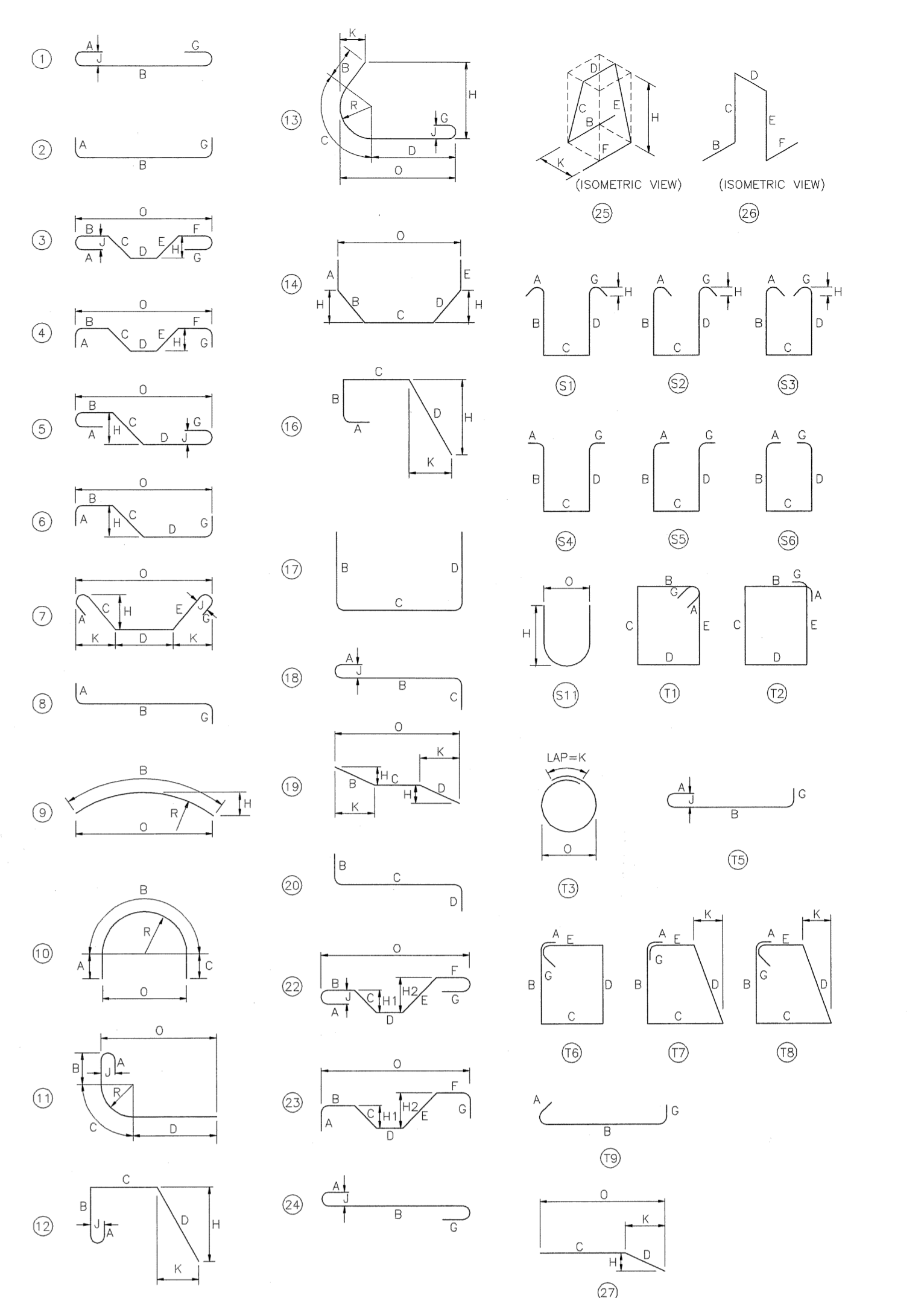


D SIZE 22" x 34" (569mm x 864mm)

Table with columns: MARKS, NO BARS, SIZE, LENGTH, TYPE, A, B, C, D, E, F, G, H, J, K, L, M, O, R, SHAPE, MASS (kg). Includes PIER #4 ENCASEMENT and PIER #4 PEDESTALS sections.

Table with columns: MARKS, NO BARS, SIZE, LENGTH, TYPE, A, B, C, D, E, F, G, H, J, K, L, M, O, R, SHAPE, MASS (kg). Includes PIER #4 ENCASEMENT (CONTINUED) and PIER #4 PEDESTALS sections.



NOTES: 1. ALL DIMENSIONS ARE OUT-TO-OUT OF A BAR EXCEPT 'A' AND 'G' ON STANDARD 180° AND 135° HOOKS. 2. 'J' DIMENSION ON 180° HOOKS TO BE SHOWN ONLY WHERE NECESSARY TO RESTRICT HOOK SIZE... 3. ON TRUSS BARS 'J' WILL BE KEPT EQUAL TO OR LESS THAN 'H'... 4. THE STIRRUPS 'H' DIMENSION SHOULD BE SHOWN ONLY WHERE NECESSARY TO FIT WITHIN CONCRETE. 5. CRITICAL DIMENSIONS ARE TO BE IDENTIFIED WHERE BARS ARE TO BE BENT MORE ACCURATELY THAN STANDARD BENDING TOLERANCES. 6. ON TYPE T3 'G' DIMENSION IS EQUAL TO CLASS C SPLICE. 7. FIGURES SHOWN IN CIRCLES SHOWN TYPES. 8. ALL BAR BENDS OTHER THAN THE TYPES SHOWN ABOVE MUST BE DESIGNATED TYPE 'X'.

DWG TOTAL WEIGHT = 2284.5 kg

PLT SCALE = 1:1
A:\CADD\2007\110285355-03\AutoCAD\Sheet1 Working Drawing\0285-355-03_01-S-0068_RX.dwg 2007-08-20 3:30pm CGG

METRIC
WHOLE NUMBERS INDICATE MILLIMETRES
DECIMALIZED NUMBERS INDICATE METRES

APCGM
Certificate of Authorization
UMA Engineering Ltd.
No. 256 Expiry: April 30, 2008

UMA Engineering Ltd. logo and contact info. Includes fields for DESIGNED BY (BLL), CHECKED BY (SBB), DRAWN BY (DL), APPROVED BY (BUB), HOR. SCALE (AS SHOWN), VERT. SCALE (AS SHOWN), and DATE (2007-07).

PROVINCE OF MANITOBA Professional Engineer seal for B.L. LAU, dated July 6, 2005. Includes CONSULTANT DRAWING NO. 66 and 0265-376-00.

THE CITY OF WINNIPEG PUBLIC WORKS DEPARTMENT logo. Project: REDWOOD BRIDGE REHABILITATIVE MAINTENANCE AND RELATED WORKS. PIER #4 REINFORCING STEEL SCHEDULE. CITY DRAWING NUMBER B113-05-66. SHEET 66 OF 74. REV 0.

Bid Opportunity No. 257-2005