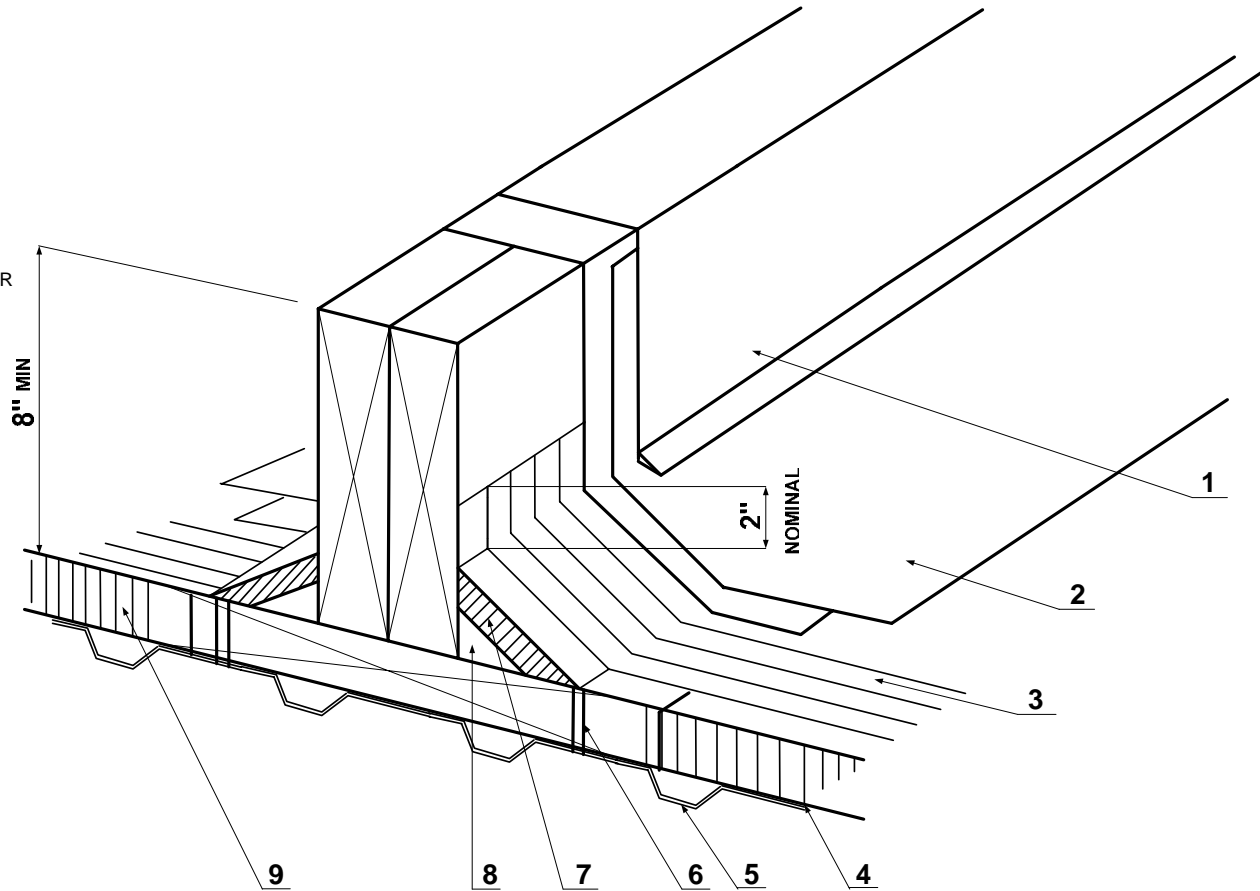


**LEGEND**

- 1 METAL FLASHING
- 2 BASE FLASHING
- 3 4-PLY FELT & BITUMEN
- 4 VAPOUR RETARDER
- 5 STEEL DECK
- 6 WOOD BLOCKING WITH MECH. FASTENER
- 7 FIBER CANT STRIP SET IN BITUMEN
- 8 WOOD CANT
- 9 1 ½ F. GLASS INSULATION



CITY OF WINNIPEG TRANSIT DEPARTMENT BUILDING SERVICES DIVISION 421 OSBORNE STREET WINNIPEG, MB. R3L 2A2 Tel 986-5812 / 479-5430 avecherya@winnipeg.ca		PROJECT  <b>ROOF REPLACEMENT</b>  421 OSBORNE STREET		SHEET TITLE  <b>ROOF AREA DIVIDER</b>	
DRAWN BY  <b>AV</b>	CHECKED BY  <b>AV</b>	APPROVED BY	DATE <b>2005.04.29</b>  eFILE <b>262-2005</b> <b>DRAWING A-3-R0</b>	SCALE <b>NTS</b>  PROJECT NO. <b>262-2005</b>	SHEET NO.  <b>A-3</b>