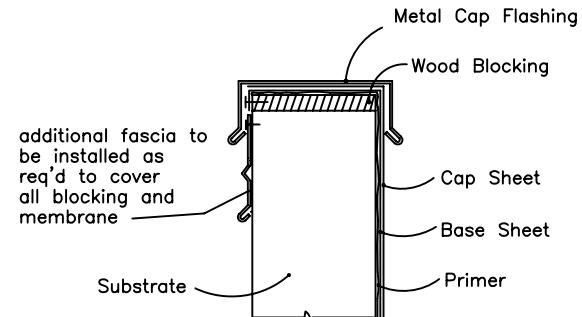
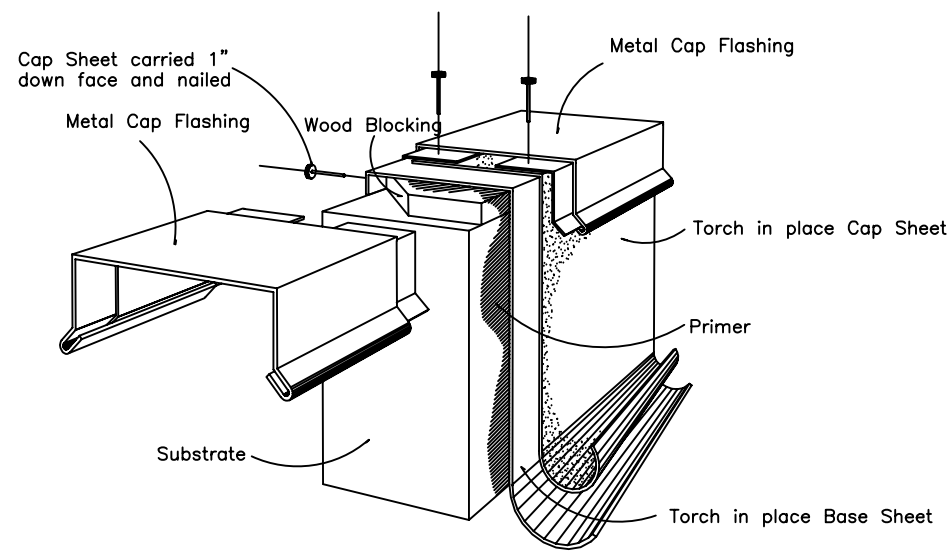
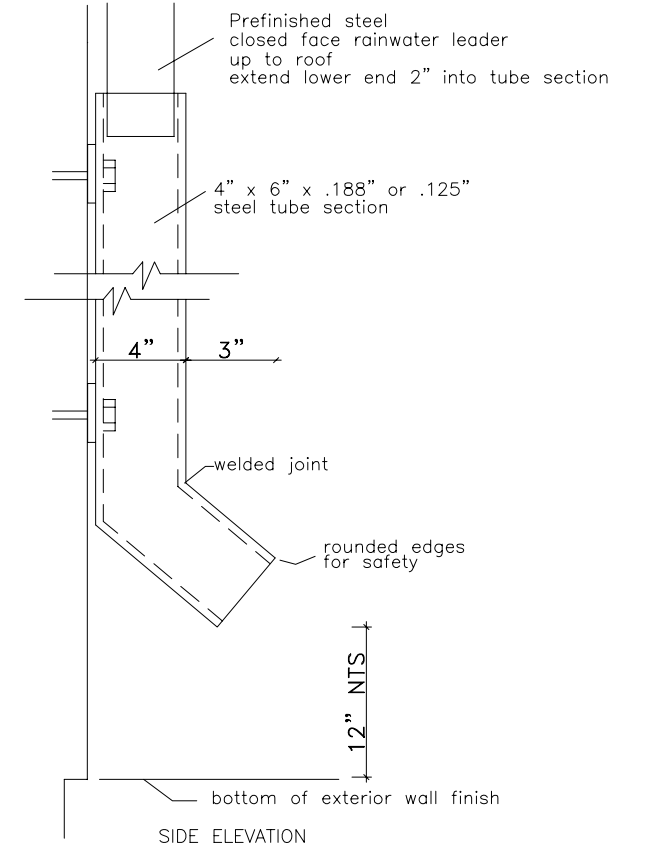
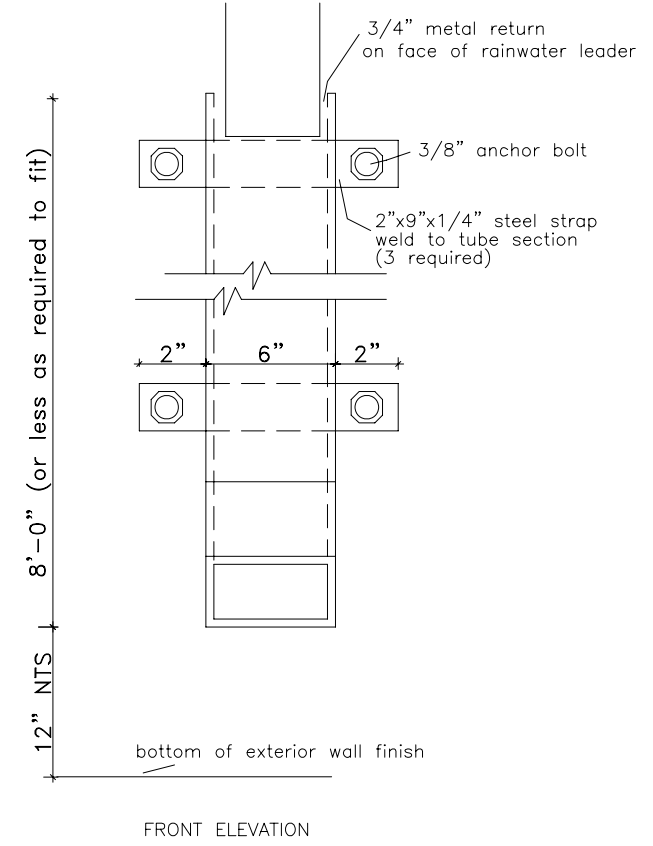


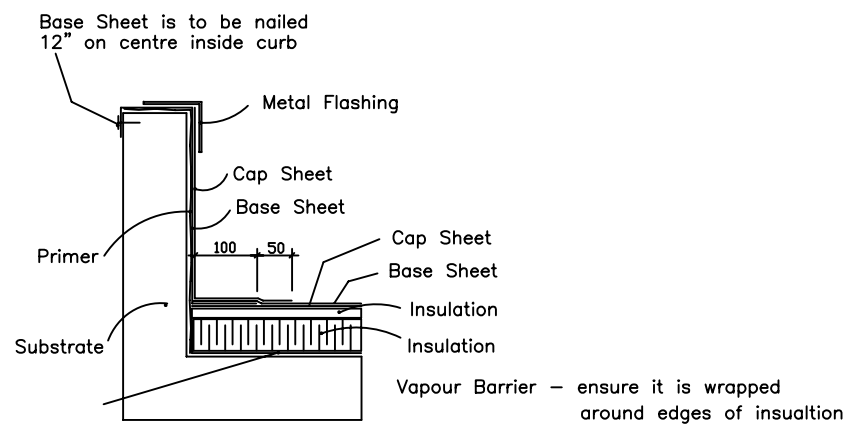
Typical Parapet Cap



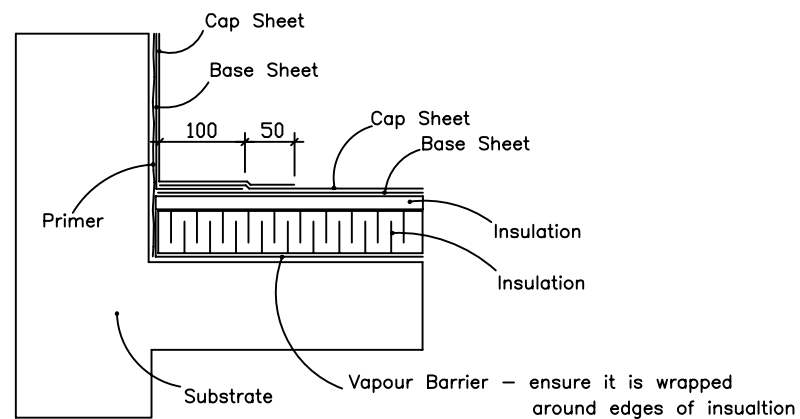
Structural Down Pipes



Mechanical Curb Flashing



Typical Roof Edge Detail



Note: Modified Bitumen stipping used in conjunction with 4 p

on top

Notes:
Scupper shall be 4 sided through parapet
Scupper shall be minmum 8" wide x 6" high

Note: Details are to be similar for inverted roof assemblies

AGASSIZ CONSULTING GROUP	
809 Pipeline Road, Winnipeg, Manitoba Phone: 697-8091 Fax: 697-8039	
Project:	North Kildonan Community Center 1144 Kingsford Place Winnipeg, MB
Date:	April 19, 2005
Drawing No.	D-1
File no:	3214-05
Scale:	N.T.S.