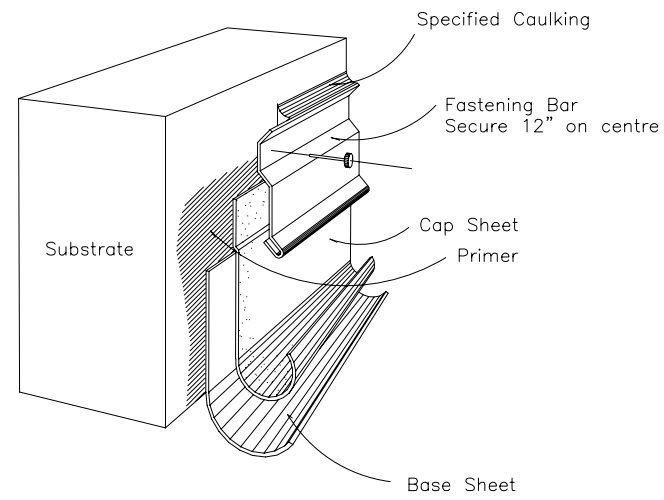
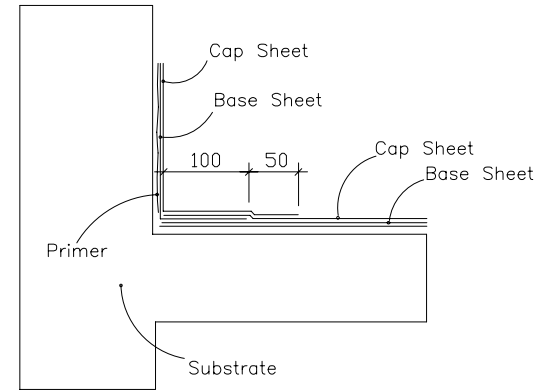


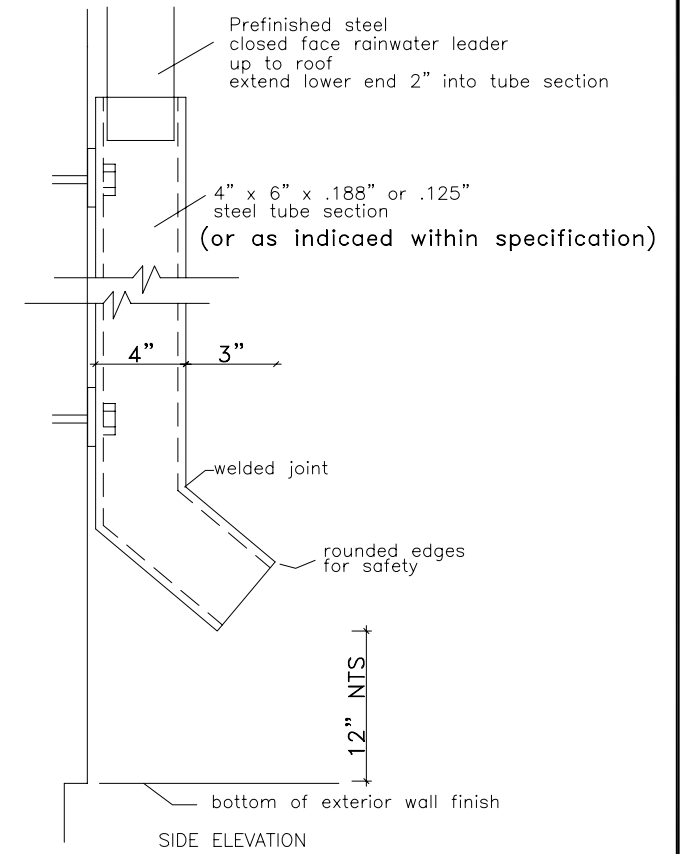
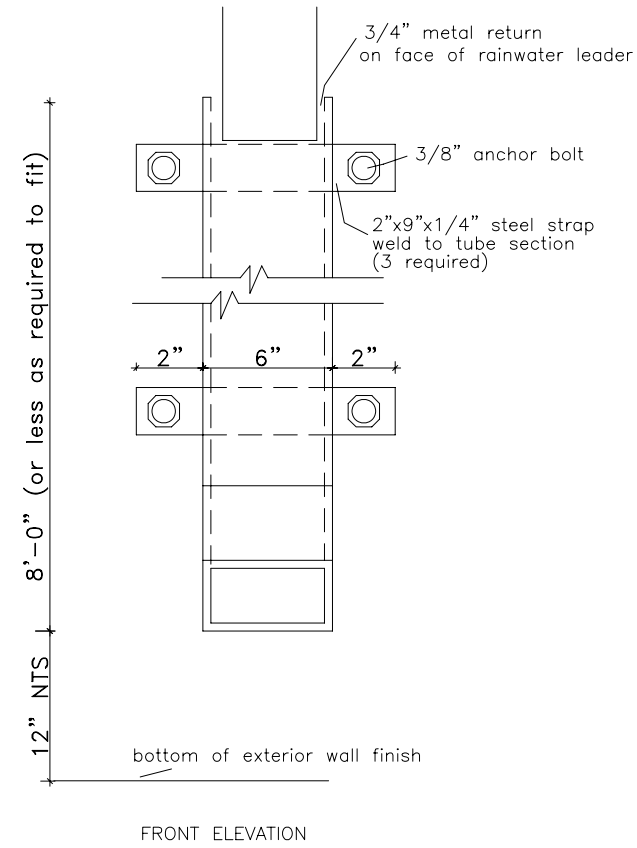
# Typical Fastening Bar



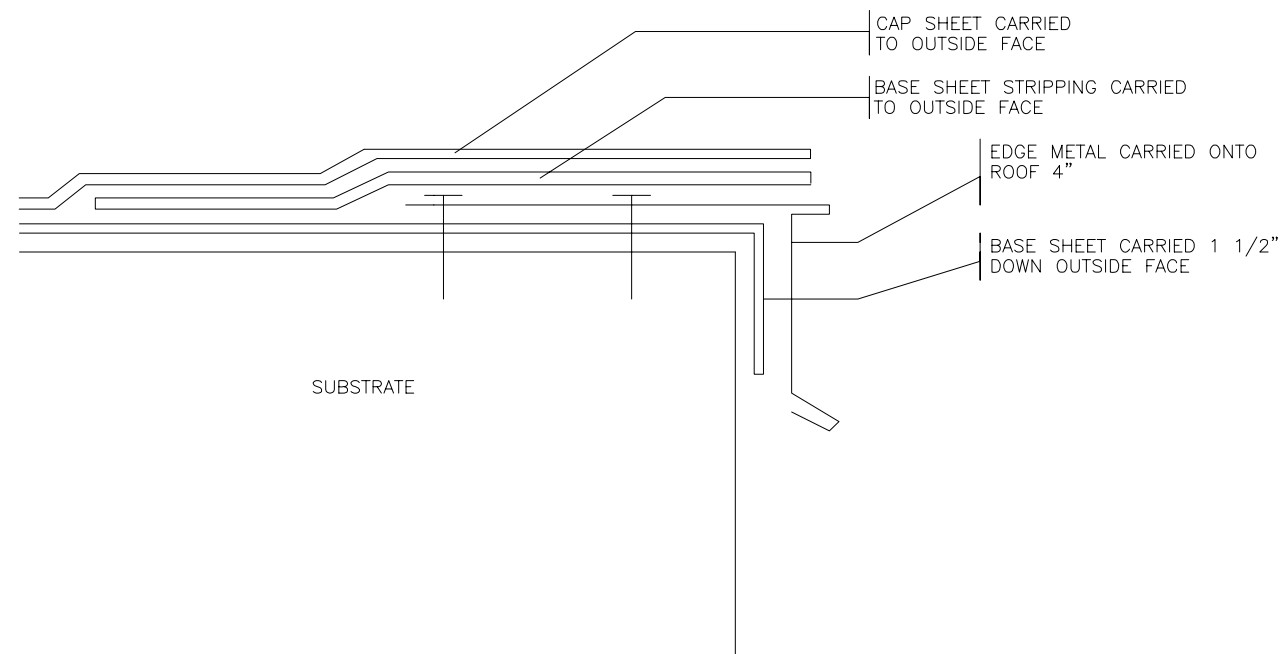
# Typical Roof Edge Detail



# Structural Down Pipes



# DRIP EDGE DETAIL



Note: Details are to be similar for inverted roof assemblies

|  |               |
|--|---------------|
| <b>AGASSIZ CONSULTING GROUP</b>  |               |
| 809 Pipeline Road, Winnipeg, Manitoba<br>Phone: 697-8091 Fax: 697-8039 |               |
| Project: Riverview Community Center<br>90 Ashland<br>Winnipeg, MB      |               |
| Date: April 21, 2005   |               |
| Drawing No.  | D-1           |
| File no: 3279-05   | Scale: N.T.S. |