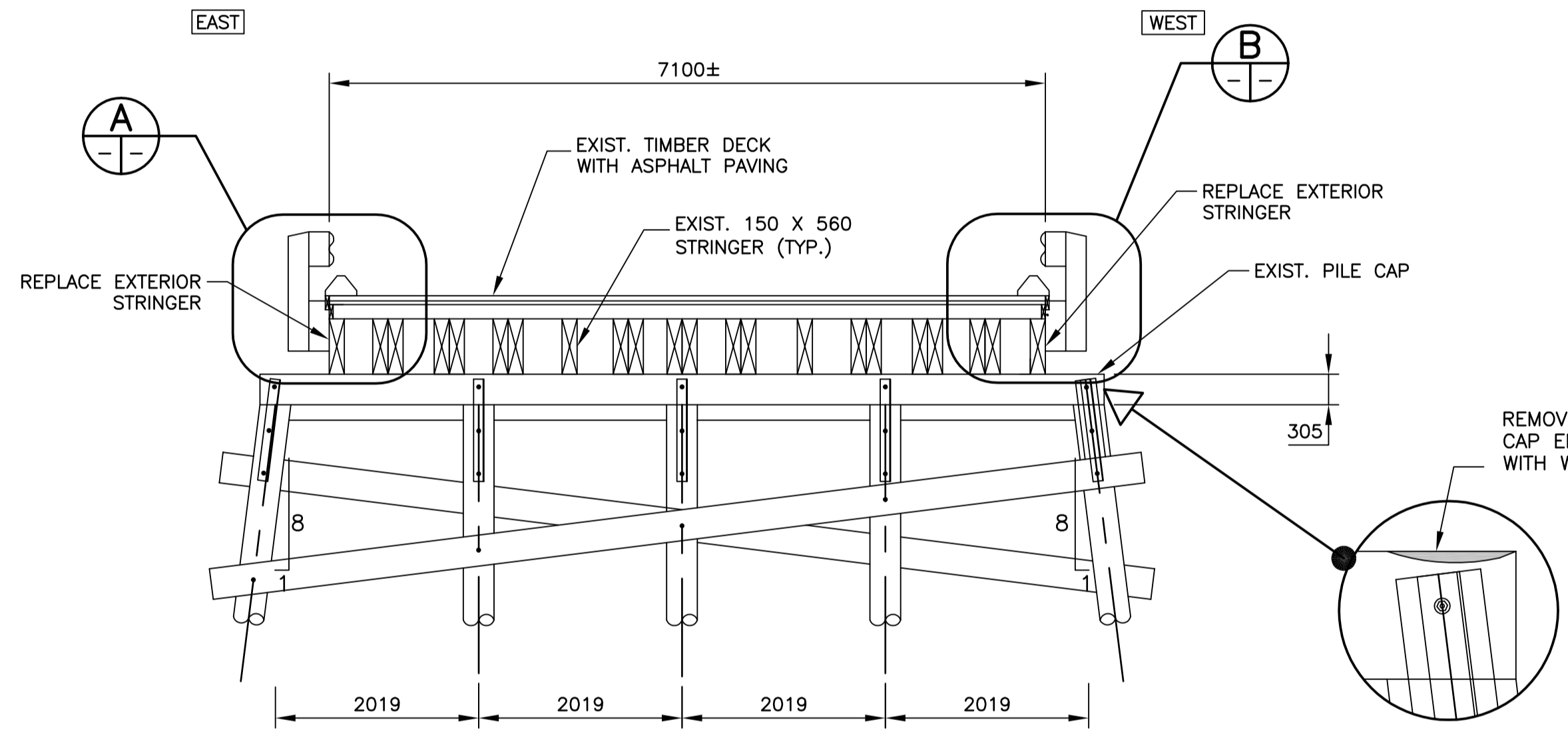
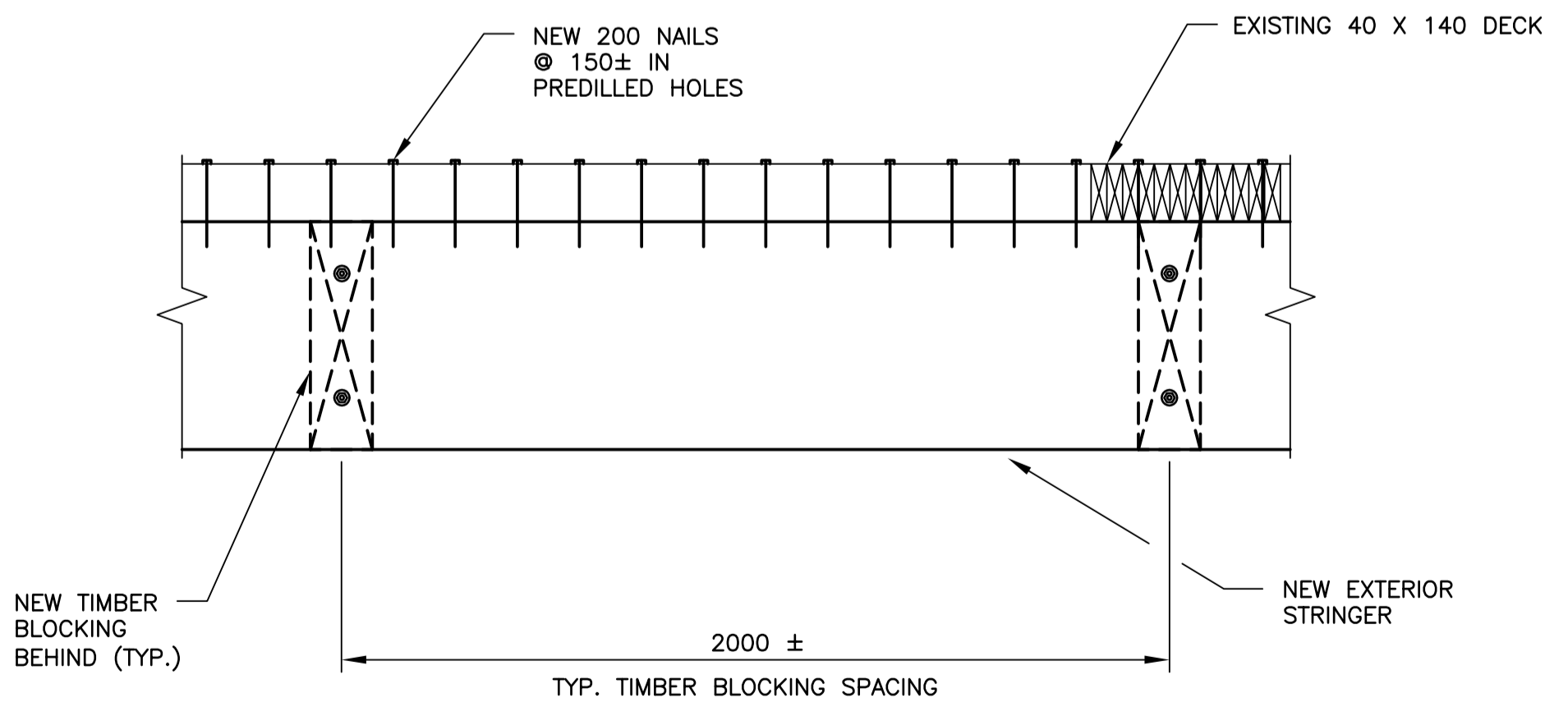


ELEVATION LOOKING EAST
1 : 100

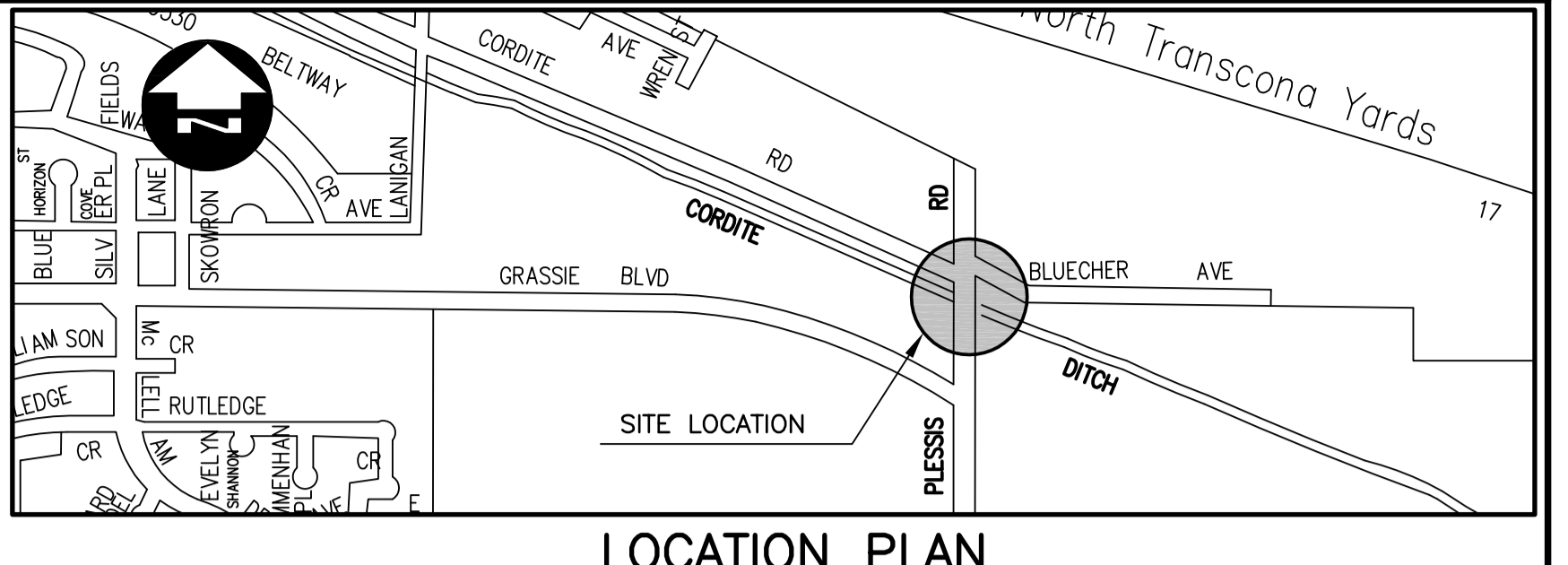


SECTION
1 : 50

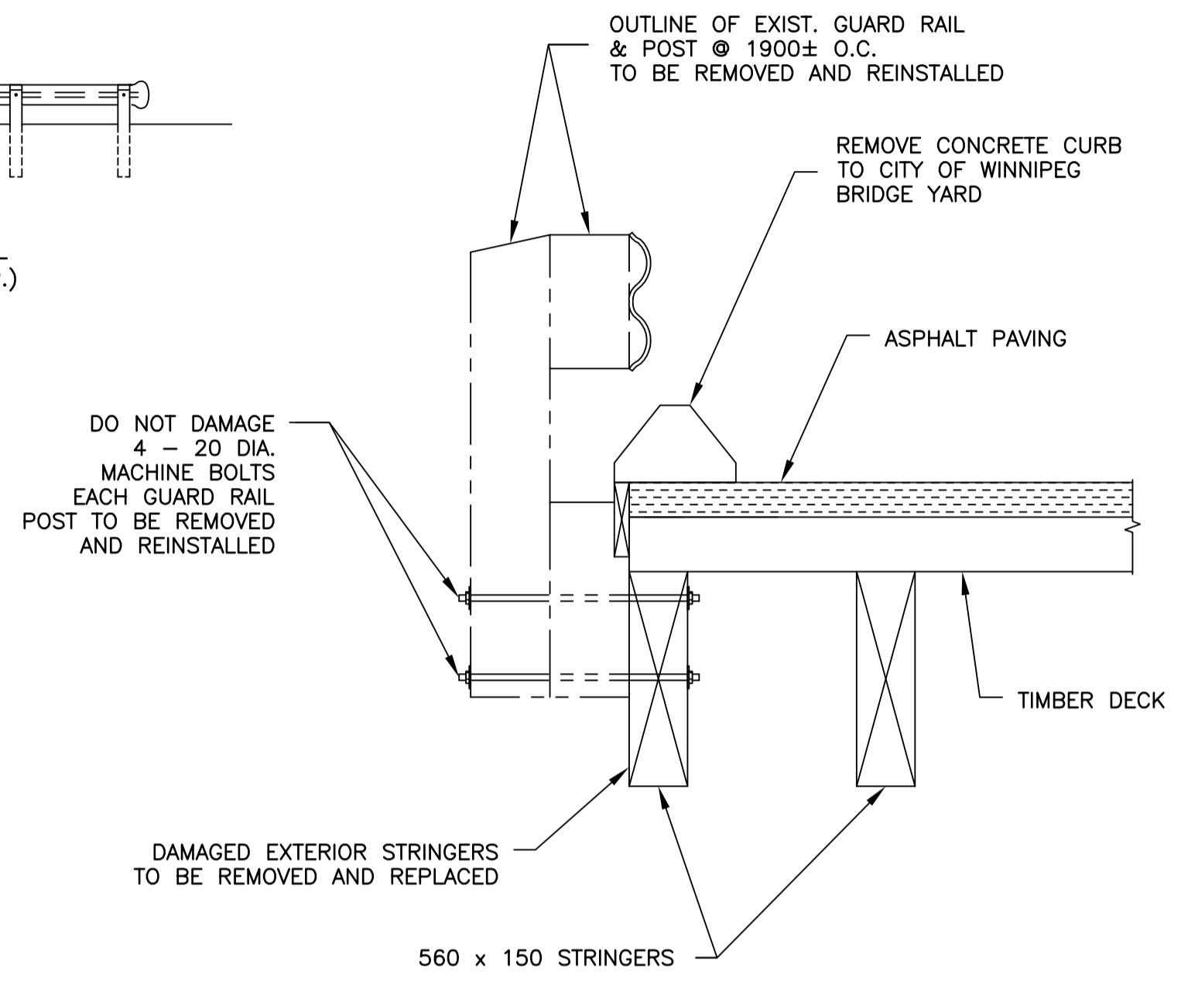


VIEW 'X' - 'X'
1:15

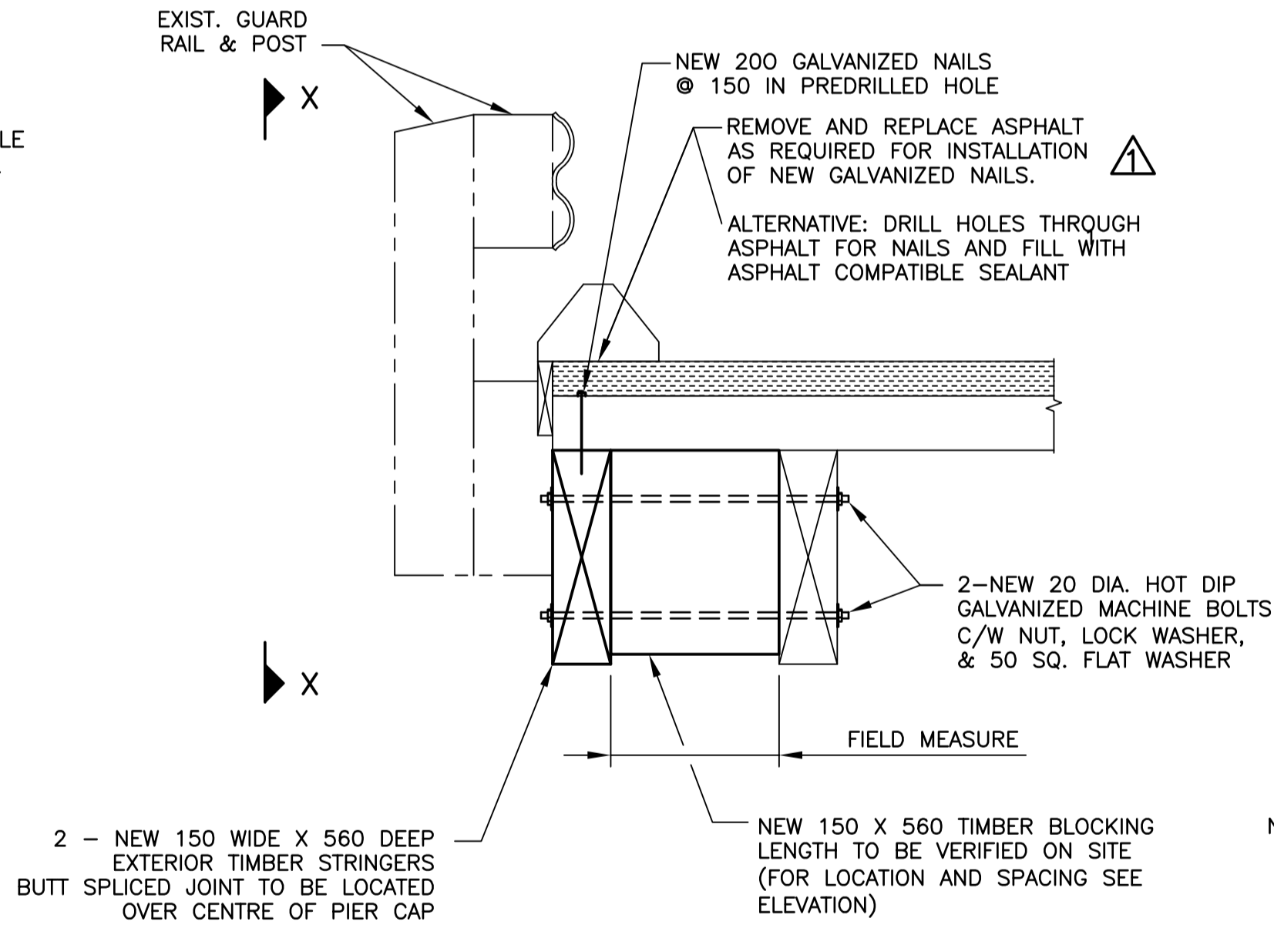
NOTE: EXIST. GUARD RAIL & POST NOT SHOWN FOR CLARITY



LOCATION PLAN



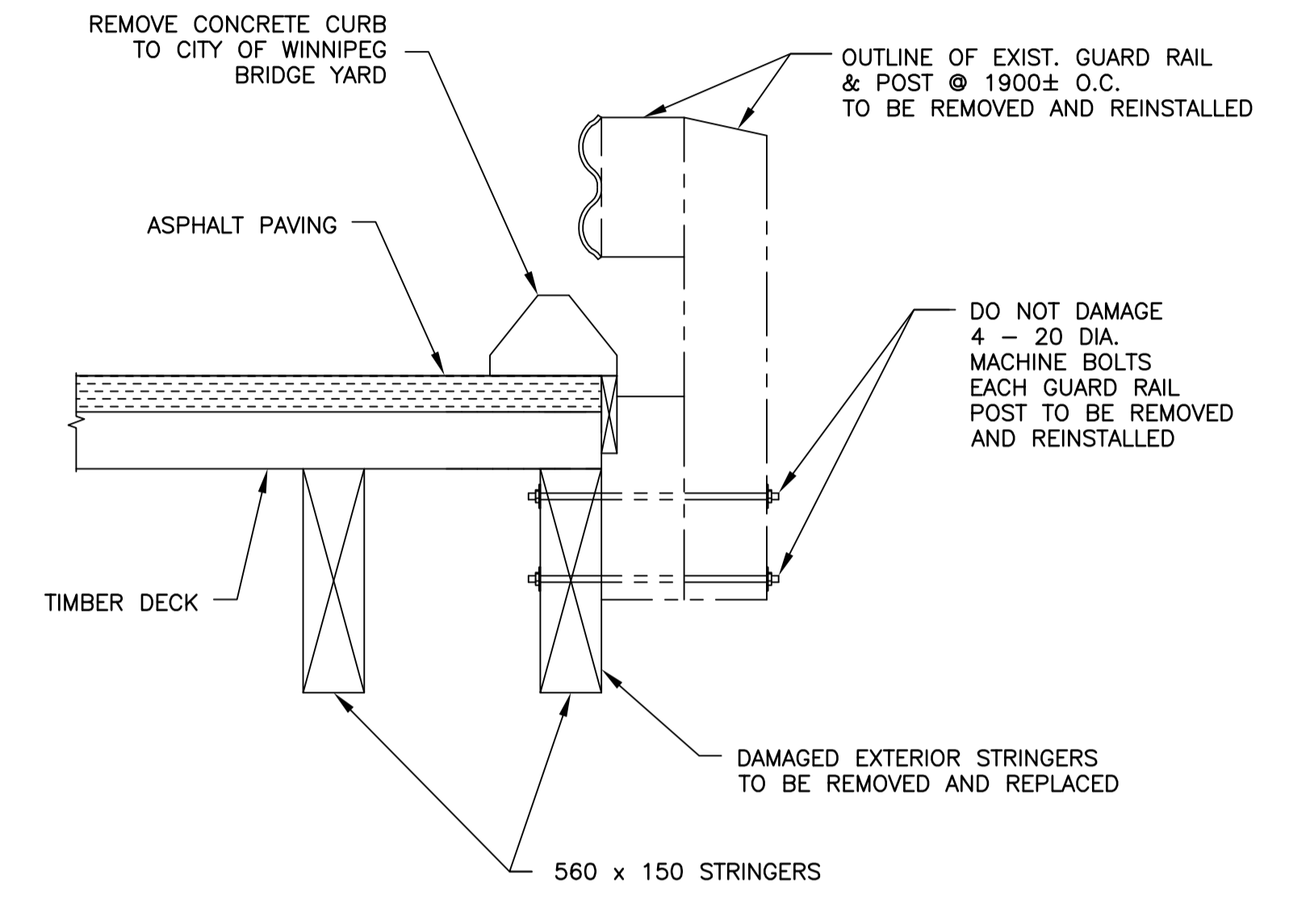
EXISTING



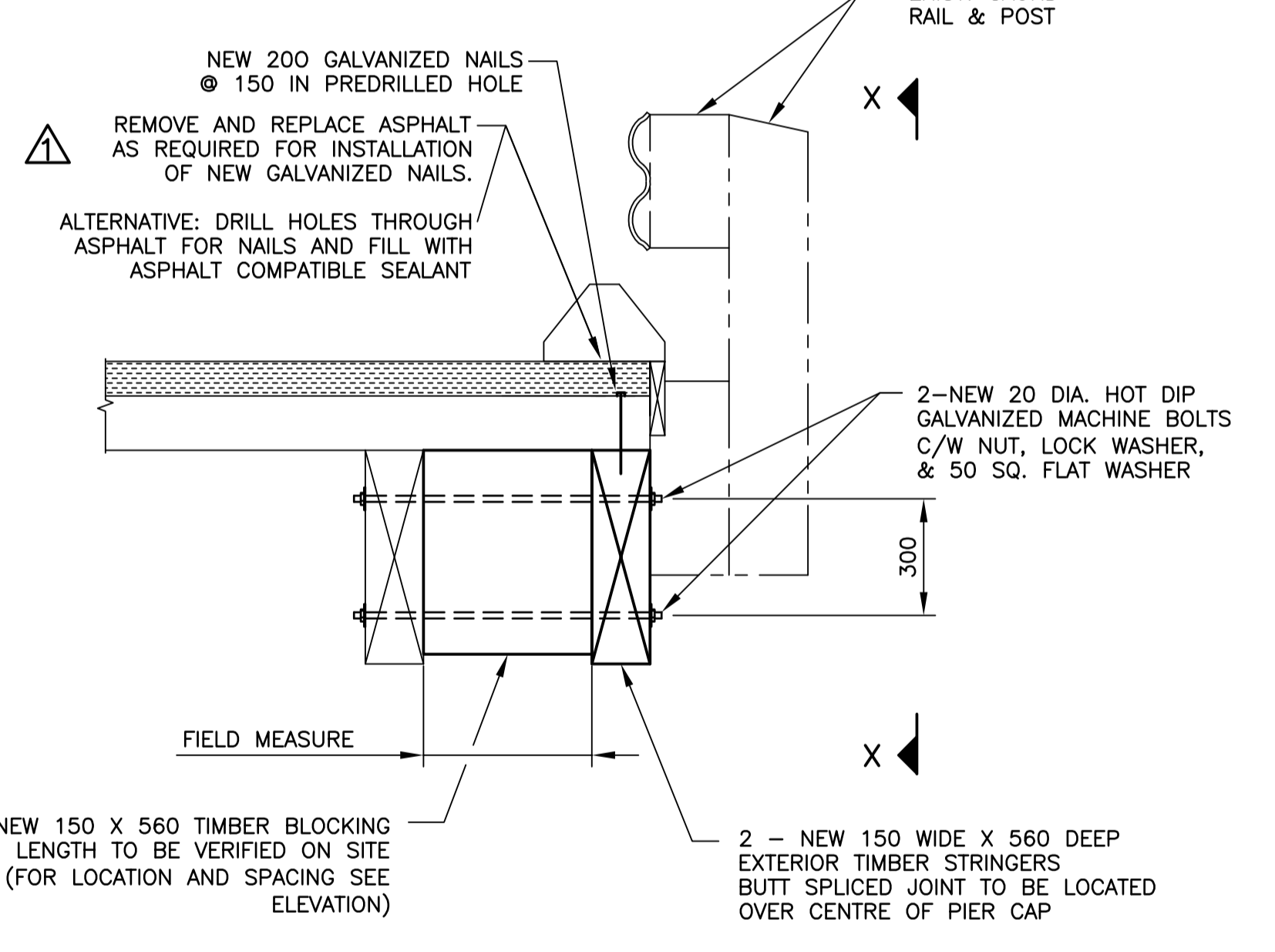
PROPOSED

DETAIL A
1 : 15

EAST SIDE OF THE BRIDGE



EXISTING



PROPOSED

DETAIL B
1 : 15

WEST SIDE OF THE BRIDGE

BID OPPORTUNITY NO. 272-2005

B.M. ELEV.	DESIGNED BY:	M.R.D.		ENGINEER'S SEAL PROVINCE OF MANITOBA REGISTERED PROFESSIONAL ENGINEER R. A. WIEBE	THE CITY OF WINNIPEG PUBLIC WORKS DEPARTMENT	
	DRAWN BY:	M.R.D.			2005 BRIDGE MAINTENANCE PLESSIS ROAD TIMBER BRIDGE AT CORDITE DITCH TIMBER REPAIRS	
	CHECKED BY:	R.A.W.			CITY DRAWING NUMBER B146-05-01(R1)	
	APPROVED BY:				SHEET 1 OF 1	
	SCALE:	HORZ. AS SHOWN VERT.				
	DATE:	MAY 2005				
	AUTHORIZED BY:					
	NO. REVISIONS			CONSULTANT PROJECT NO. 05-4421-1000	SECTIONS & DETAILS	
	DATE	5/20/05	MRD			
	BY					