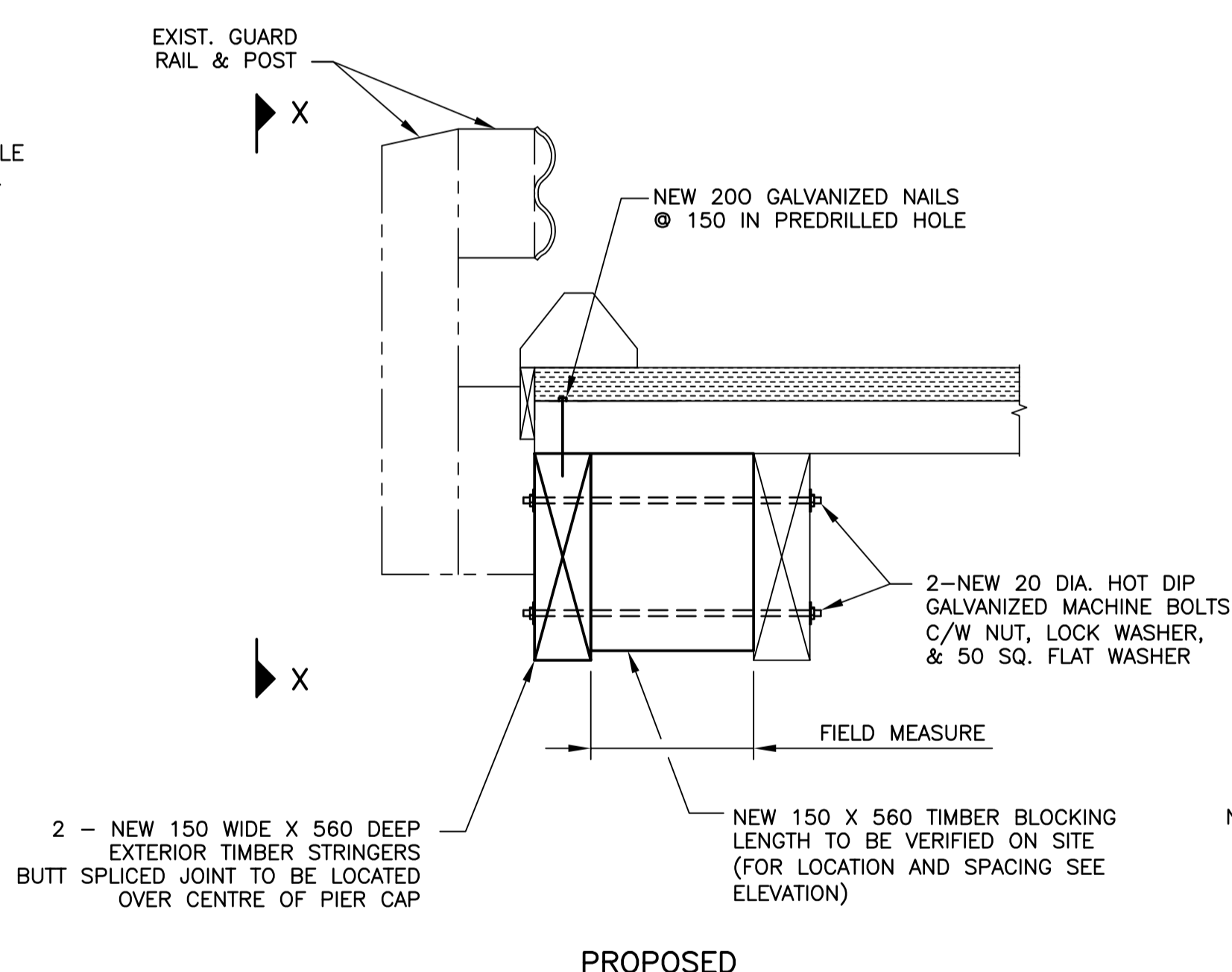
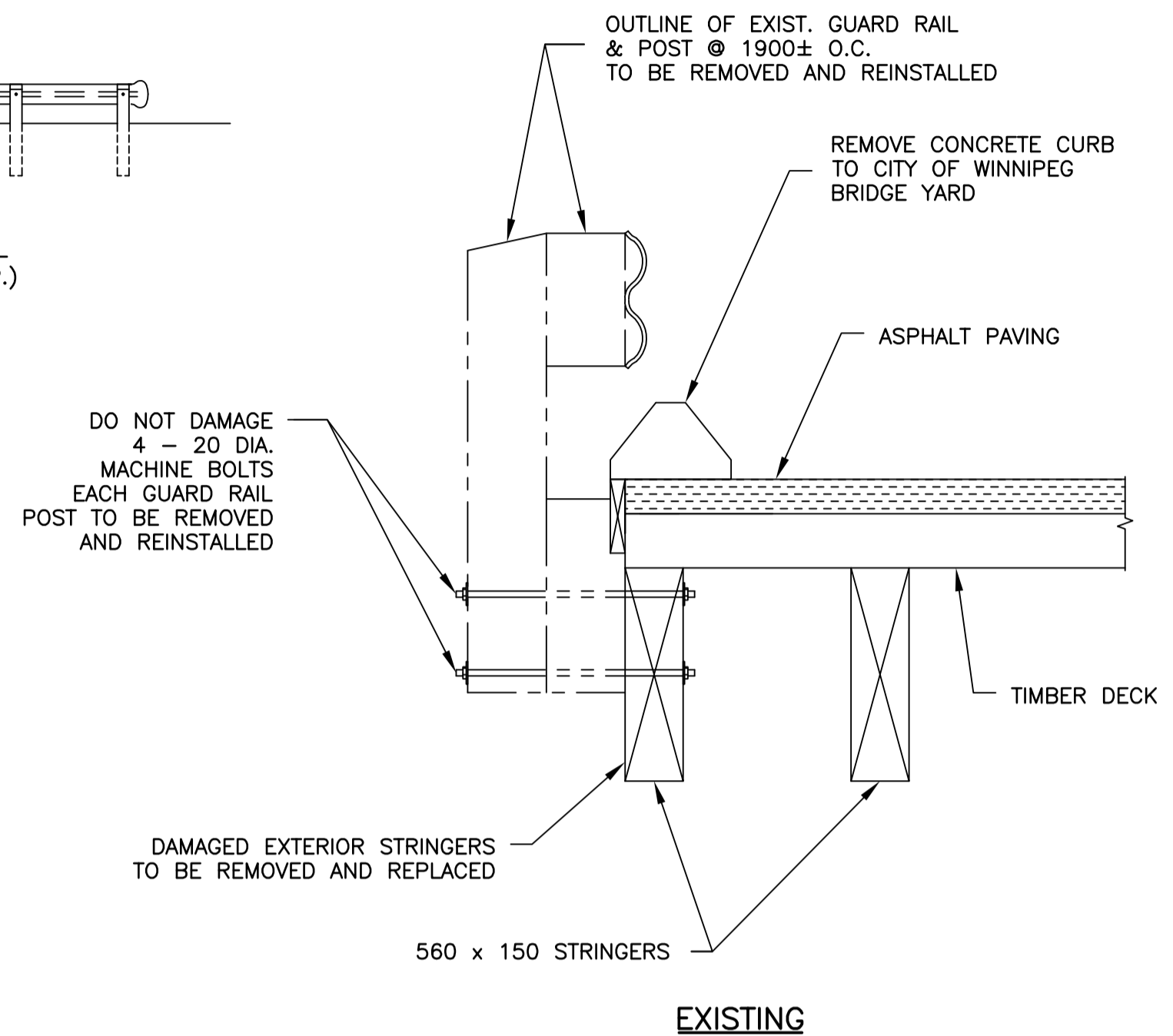
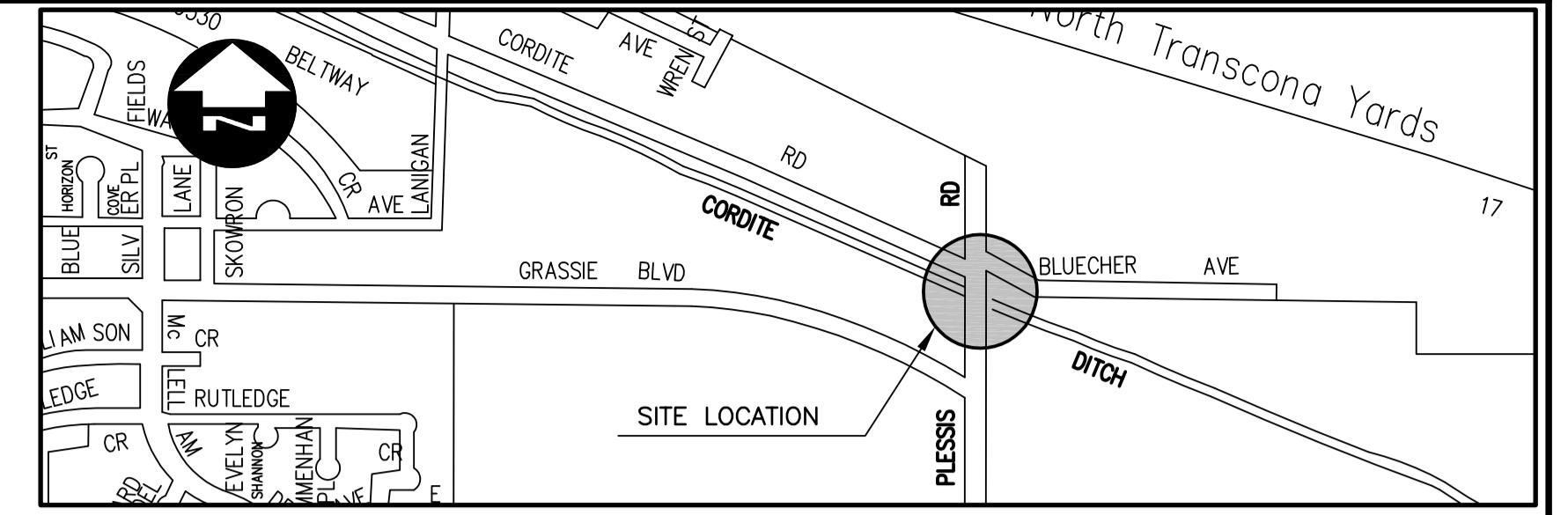
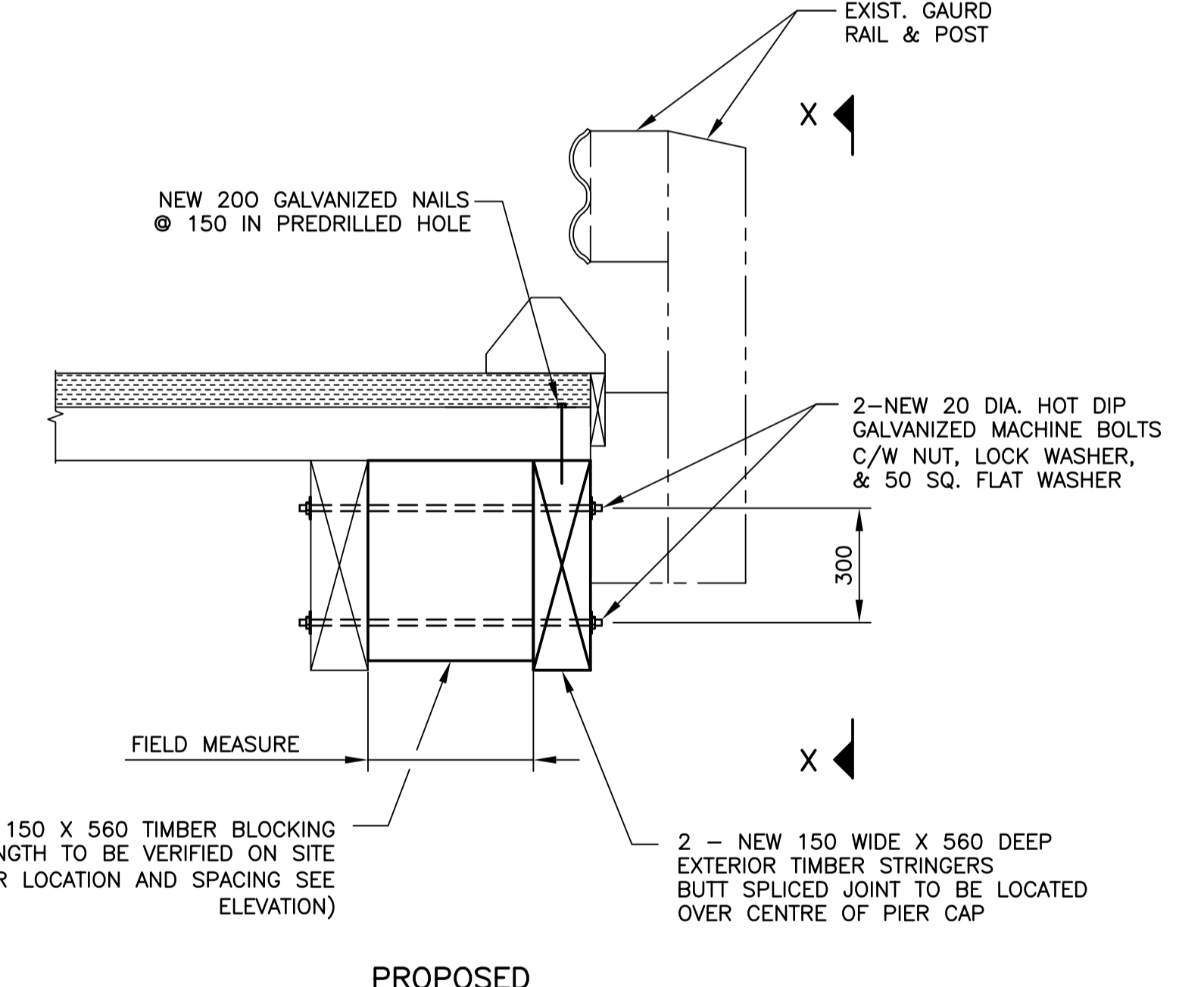
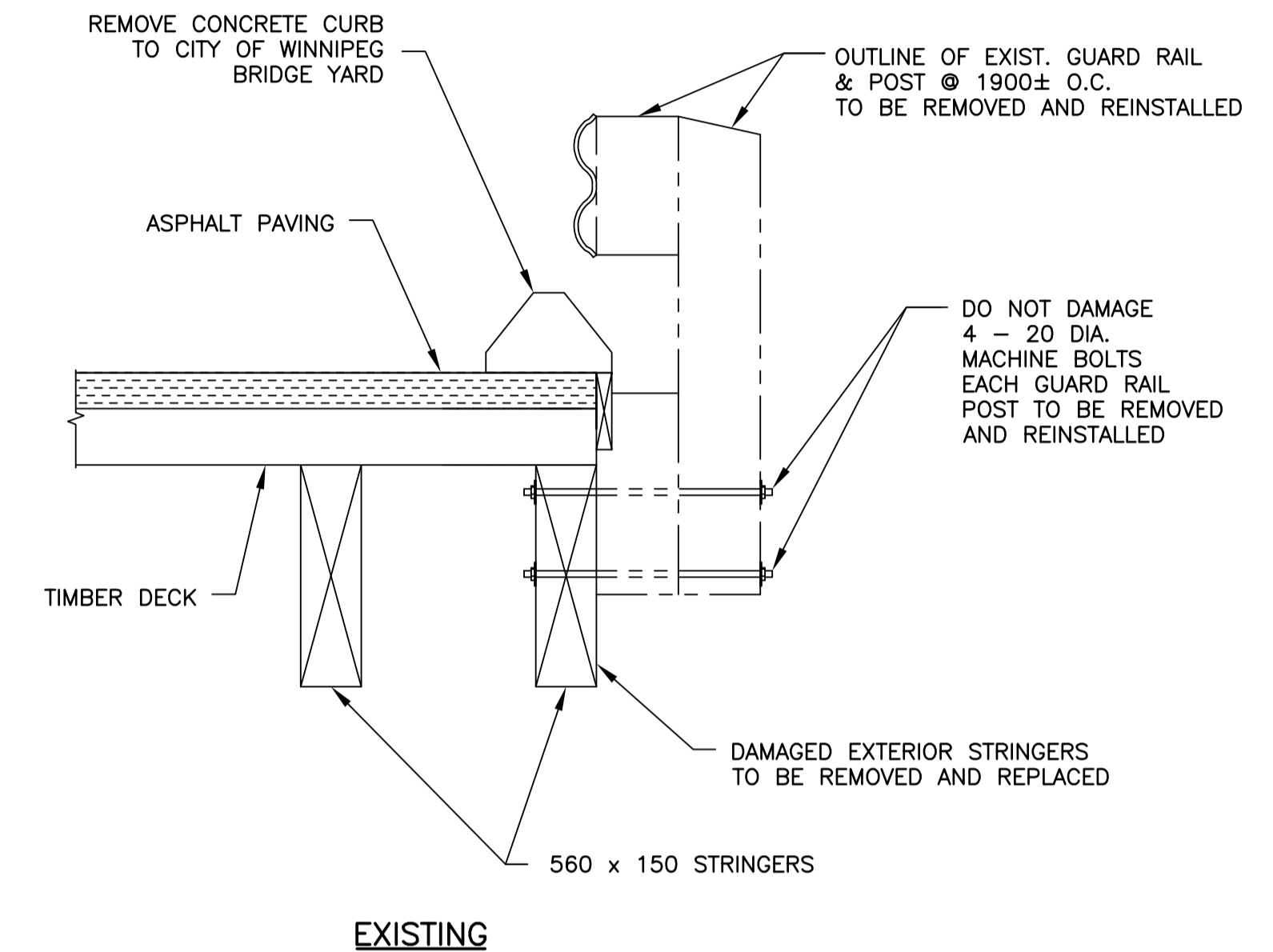


NOTE: EXIST. GUARD RAIL & POST NOT SHOWN FOR CLARITY



DETAIL A
1 : 15

EAST SIDE OF THE BRIDGE



DETAIL B
1 : 15

WEST SIDE OF THE BRIDGE

BID OPPORTUNITY NO. 272-2005

B.M. ELEV. NO. REVISIONS DATE BY	DESIGNED BY: M.R.D.		ENGINEER'S SEAL PROVINCE OF MANITOBA R. A. WIEBE REGISTERED PROFESSIONAL ENGINEER	THE CITY OF WINNIPEG PUBLIC WORKS DEPARTMENT	CITY DRAWING NUMBER B146-05-01 SHEET 1 OF 1
	DRAWN BY: M.R.D.				
	CHECKED BY: R.A.W.				
	APPROVED BY:				
	SCALE: HORZ. AS SHOWN VERT.				
	DATE: MAY 2005				
AUTHORIZED BY:	DATE:	CONSULTANT PROJECT NO. 05-4421-1000	2005 BRIDGE MAINTENANCE PLESSIS ROAD TIMBER BRIDGE AT CORDITE DITCH TIMBER REPAIRS	SECTIONS & DETAILS	