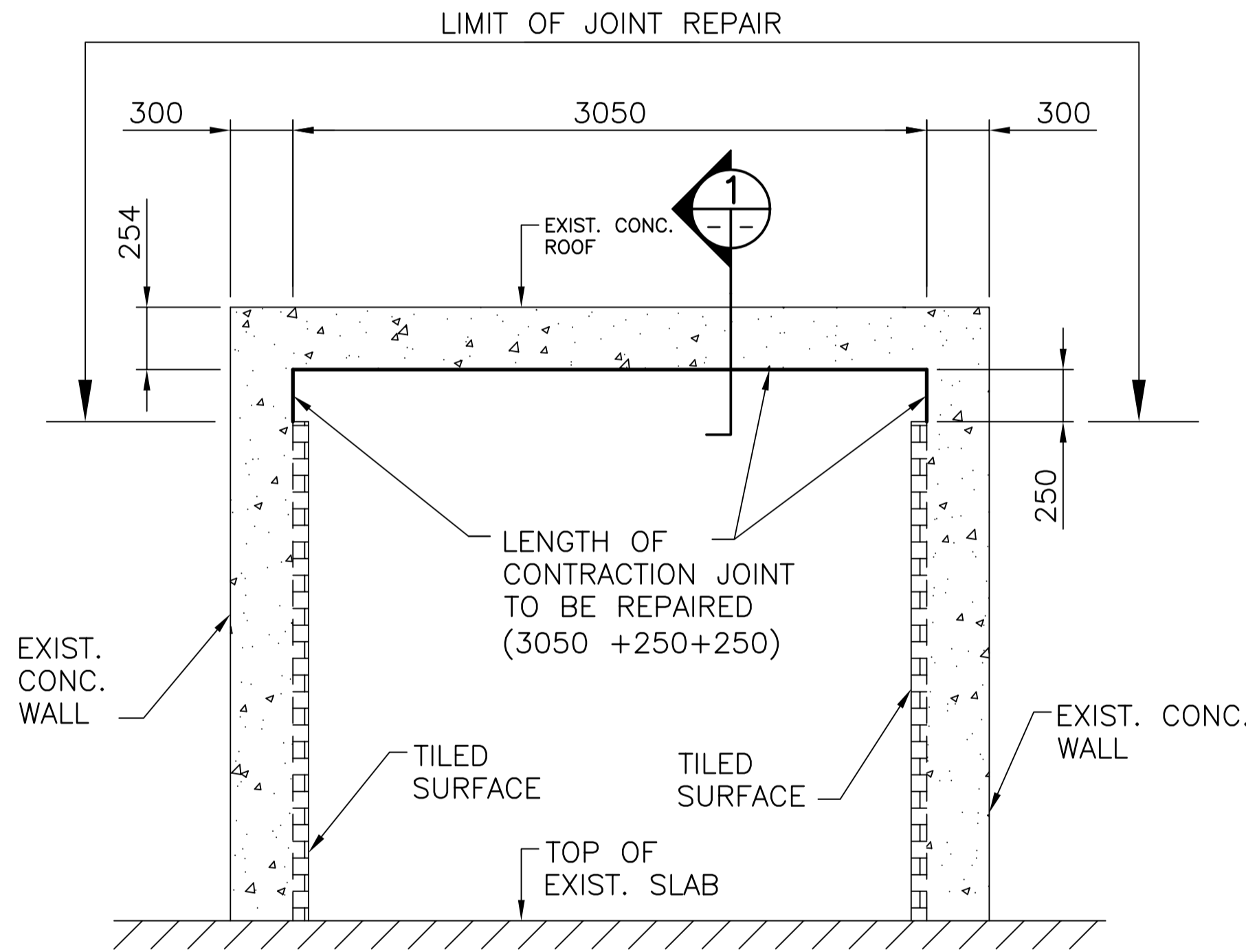


**SECTION**  
N.T.S.



**NOTES:**

- DIMENSIONS SHOWN OF REPAIR ARE APPROXIMATE. LAYOUT ACTUAL REPAIR AREAS WITH CONTRACT ADMINISTRATOR IN FIELD
- SEE SPECIFICATION FOR REPAIR PREPARATION & CONCRETE REPLACEMENT DETAILS.
- PROVIDE MINIMUM 20MM DEEP SAWCUT AROUND ALL REPAIR AREAS.

BID OPPORTUNITY NO. 305-2005

B.M. ELEV.	DESIGNED BY: M.R.D.		ENGINEER'S SEAL		CITY DRAWING NUMBER U216-05-01
	DRAWN BY: M.R.D.		PROVINCE OF MANITOBA REGISTERED PROFESSIONAL ENGINEER <b>R. A. WIEBE</b>		
	CHECKED BY: R.A.W.				SHEET 1 OF 1
	REVIEWED BY: S.S.R.				
	SCALE: HORZ. AS SHOWN VERT.				
	DATE: JUNE 2005				
	AUTHORIZED BY:				
NO. REVISIONS	DATE	BY	CITY BRIDGE ENGINEER	CONSULTANT PROJECT NO. 05-4421-1000	PLAN AND DETAILS