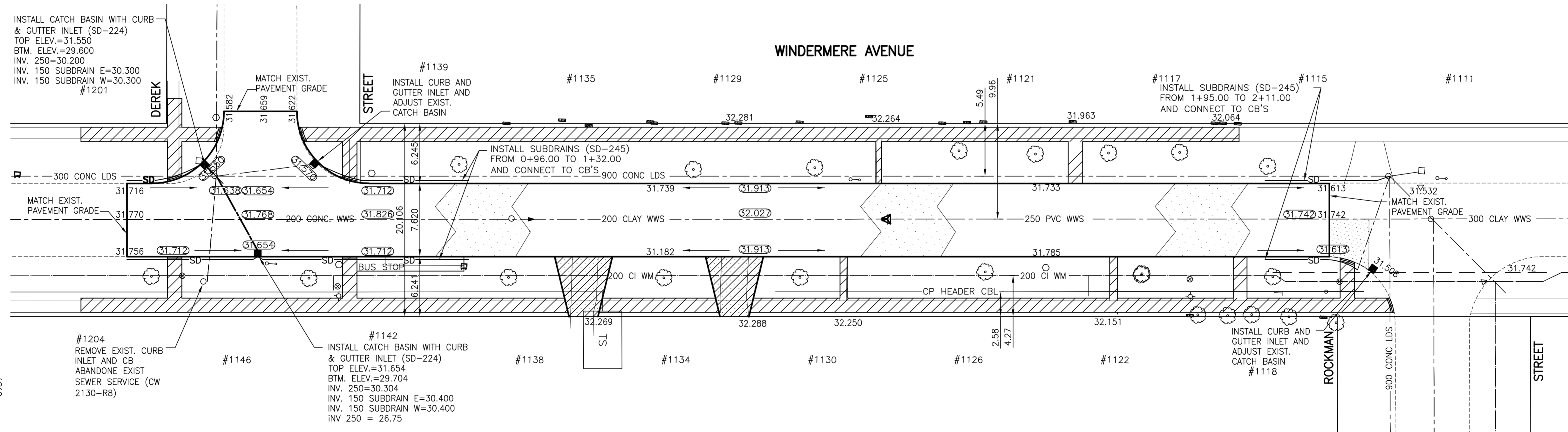


TYPICAL CROSS SECTION
N.T.S.



APEGM
Certificate of Authorization
Stantec Consulting Ltd.
No. 1301 Expiry: April 30, 2006

METRIC
WHOLE NUMBERS INDICATE MILLIMETRES
DECIMALIZED NUMBERS INDICATE METRES

WARNING

IF POWER EQUIPMENT OR EXPLOSIVES ARE TO BE USED FOR EXCAVATION ON THIS PROJECT THE CONTRACTOR MUST:
1) NOTIFY THE GAS COMPANY OF THE PROPOSED LOCATION OF EXCAVATION.
2) TAKE PRECAUTION TO AVOID DAMAGE TO GAS COMPANY INSTALLATIONS.
SEE PROVINCIAL REGULATION 140/92 FOR DETAILS

S.W. Cor. Pembina Hwy. & Windermere Ave., Tblt. in E. Corn. foundation of No. 1125 Pembina hwy. (Royal Canadian legion No. 90), 1.0m S. & 0.4m below top of foundation of N. E. Cor. of Bldg.

EXISTING	LEGEND-PLAN	PROPOSED	EXISTING	LEGEND-PLAN	PROPOSED	EXISTING	LEGEND-PROFILE	PROPOSED
150 WM	WATERMAIN	150 WM	HYDRO	M.T.S.	150 WM	WATERMAIN	150 WM	WATERMAIN
300 LDS	LAND DRAINAGE SEWER	300 LDS	CONCRETE	CONCRETE	300 LDS	LAND DRAINAGE SEWER	300 LDS	LAND DRAINAGE SEWER
250 WWS	WASTE WATER SEWER	250 WWS	ASPHALT	ASPHALT	250 WWS	WASTE WATER SEWER	250 WWS	WASTE WATER SEWER
MANHOLE	MANHOLE	MANHOLE	PROPERTY LINE	PROPERTY LINE	PROPERTY LINE	PROPERTY LINE	PROPERTY LINE	PROPERTY LINE
CATCH BASIN	CATCH BASIN	CATCH BASIN	SURVEY BAR	SURVEY BAR	SURVEY BAR	SURVEY BAR	SURVEY BAR	SURVEY BAR
CURB INLET	CURB INLET	CURB INLET	DITCH	DITCH	DITCH	DITCH	DITCH	DITCH
JUNCTIONS	JUNCTIONS	JUNCTIONS	ELEVATION	ELEVATION	ELEVATION	ELEVATION	ELEVATION	ELEVATION
CULVERT	CULVERT	CULVERT	SUB - DRAIN	SUB - DRAIN	SUB - DRAIN	SUB - DRAIN	SUB - DRAIN	SUB - DRAIN
GAS	GAS	GAS						

LOCATION APPROVED UNDERGROUND STRUCTURES
SUPV. U/G STRUCTURES DATE COMMITTEE
NOTE:
LOCATION OF UNDERGROUND STRUCTURES AS SHOWN ARE BASED ON THE BEST INFORMATION AVAILABLE BUT NO GUARANTEE IS GIVEN THAT ALL EXISTING UTILITIES ARE SHOWN OR THAT THE GIVEN LOCATIONS ARE EXACT. CONFIRMATION OF EXISTENCE AND EXACT LOCATION OF ALL SERVICES MUST BE OBTAINED FROM THE INDIVIDUAL UTILITIES BEFORE PROCEEDING WITH CONSTRUCTION.

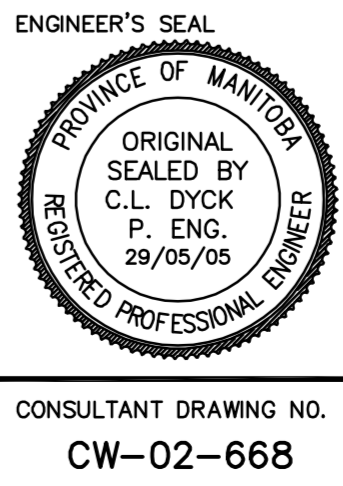
NO.	REVISIONS	DATE	BY

Stantec Consulting Ltd.
905 Waverley Street, Winnipeg, Manitoba
Tel 204-489-5900 Fax 204-453-9012

DESIGNED BY: V.M. CHECKED BY: C.L.D.
DRAWN BY: V.M. APPROVED BY: C.L.D.

HOR. SCALE: 1:250
VERTICAL: 1:10

RELEASED FOR CONSTRUCTION:
ORIGINAL SIGNED BY: KEN TURKO
DATE: JUNE 02/05



THE CITY OF WINNIPEG
PUBLIC WORKS DEPARTMENT
ENGINEERING DIVISION

WINDERMERE AVENUE
ROCKMAN STREET TO DEREK STREET
STA. 0+95.877 TO STA. 2+21.178
2005 PAVEMENT RECONSTRUCTION

SHEET 2 OF 3
CAD FILE DRAWING NUMBER: Windermere-2005.DWG
CITY DRAWING NUMBER

CONSULTANT DRAWING NO. CW-02-668

V:\137\win\1370400 - 2005 Residential Streets - Design\A00\Windermere-2005.dwg
2005-06-10 12:27PM By: mrcsdl