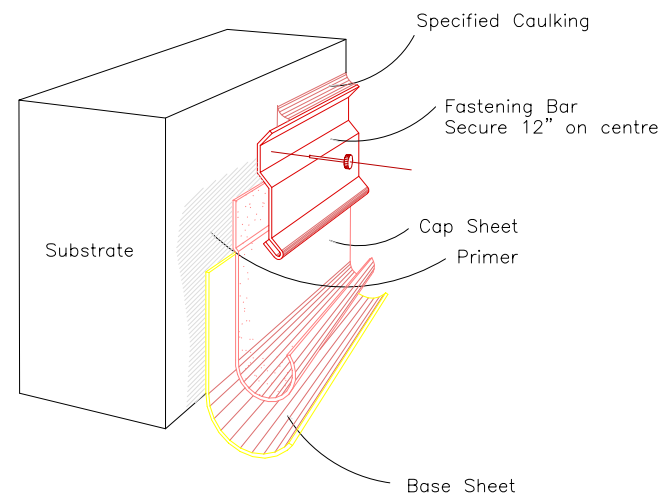


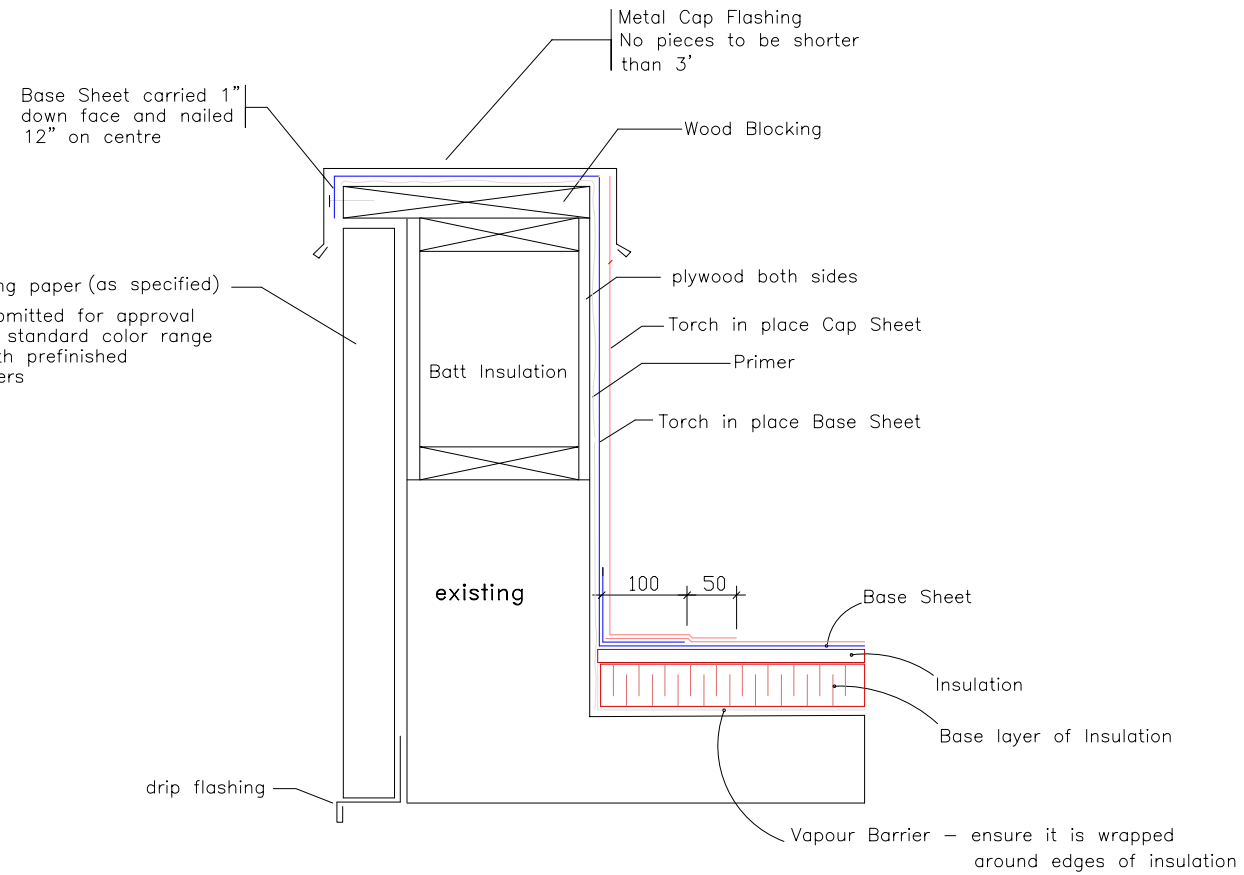
# Typical Parapet Construction

## Typical Fastening Bar

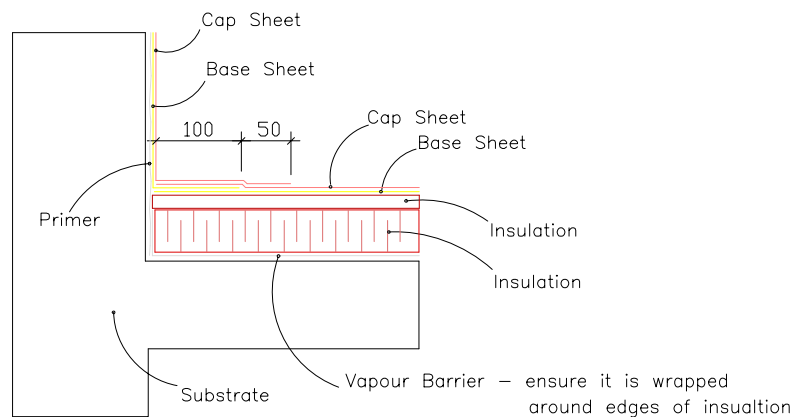


new siding & building paper (as specified)

- Sample to be submitted for approval
- color to be from standard color range
- to be secured with prefinished screws and washers

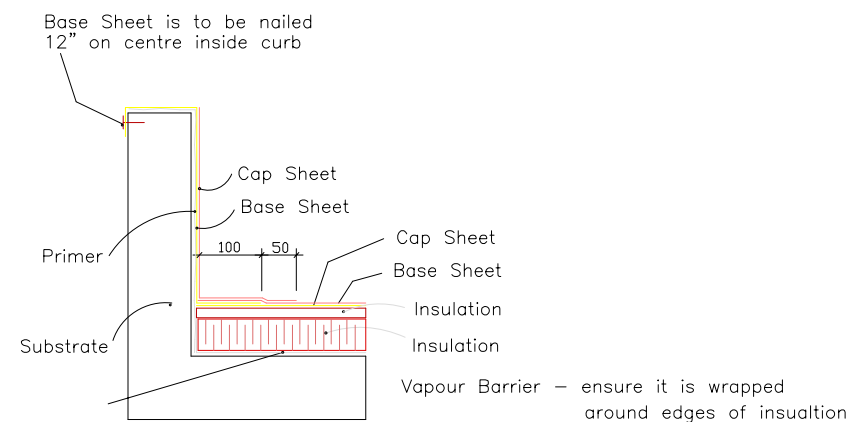


## Typical Roof Edge Detail



Note: Modified Bitumen stipping used in conjunction with 4 ply felt membrane is to have base sheet extend 12" onto flat and cap sheet 18" onto flat.

## Mechanical Curb



Note: Details are to be similar for inverted roof assemblies

### AGASSIZ CONSULTING GROUP

809 Pipeline Road, Winnipeg, Manitoba  
Phone: 697-8091 Fax: 697-8039

Project: Billy Mosienko Arena  
700 Keewatin  
Winnipeg, MB

Date: April 5, 2005

Drawing No. D-1

File no: 3618-05 Scale: N.T.S.