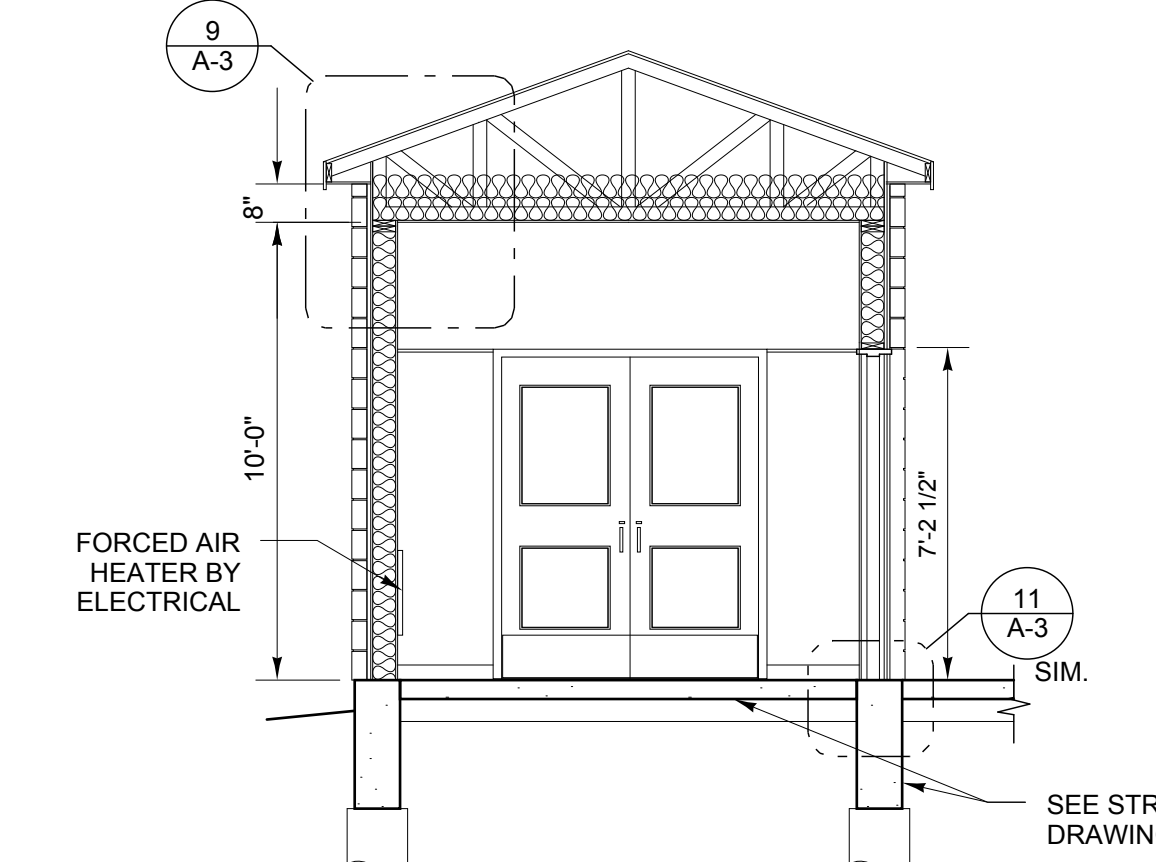
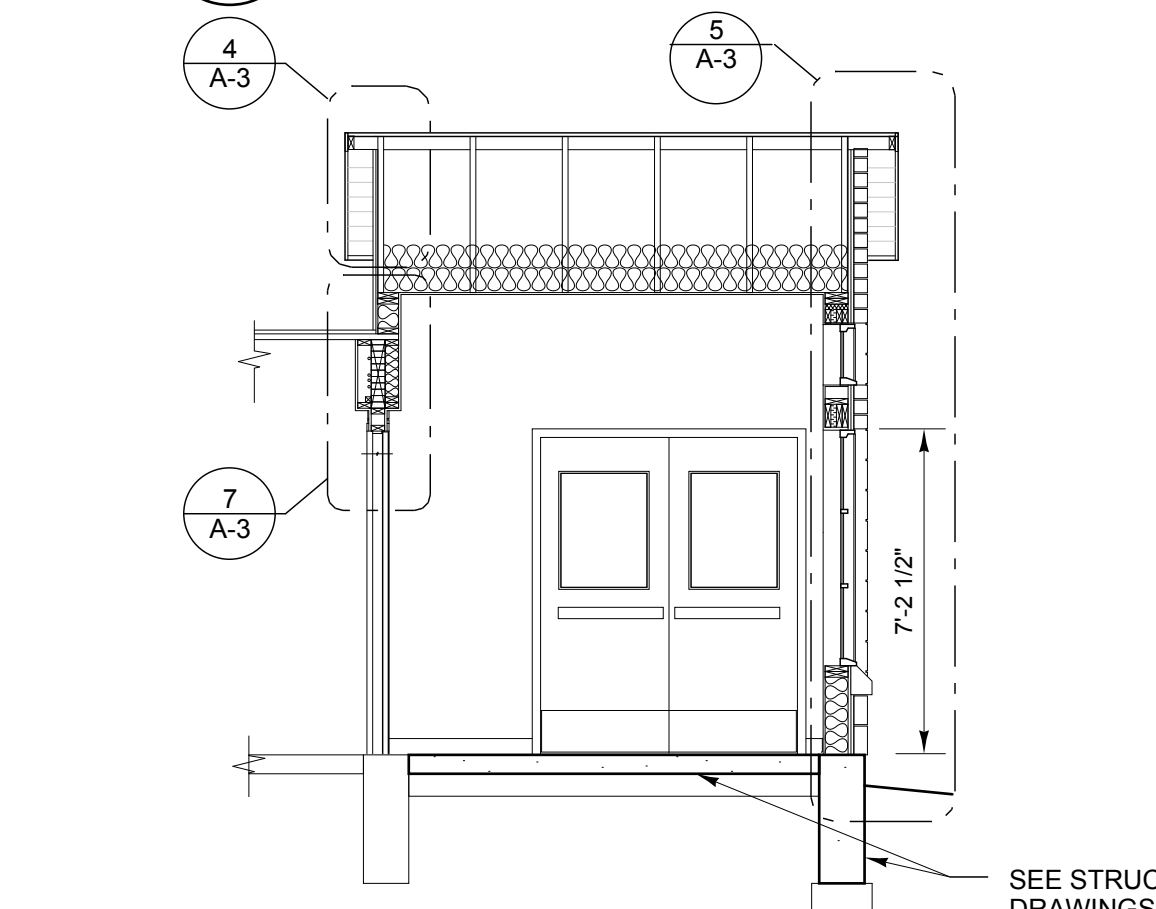


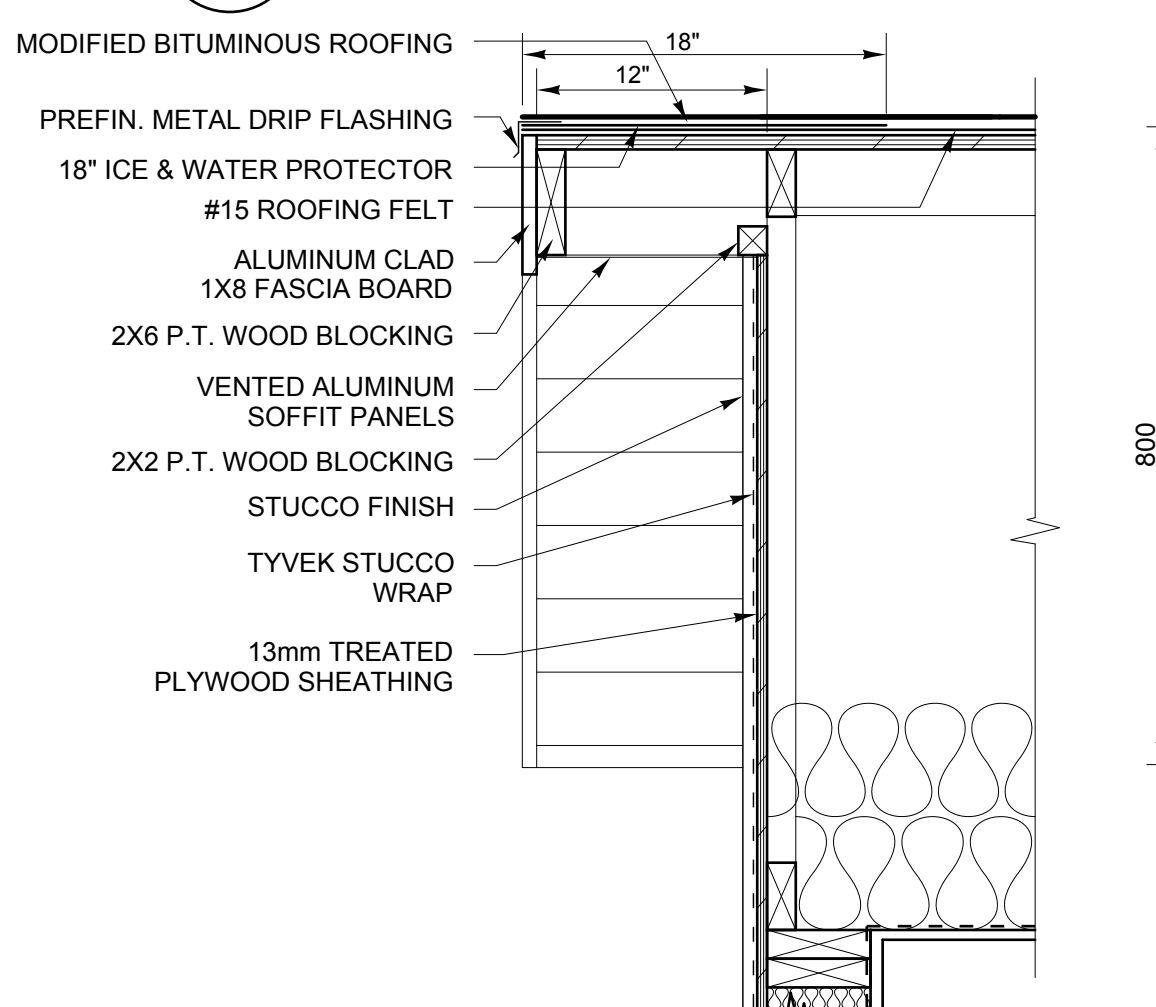
1 SECTION THRU VESTIBULE  
SCALE 1:50



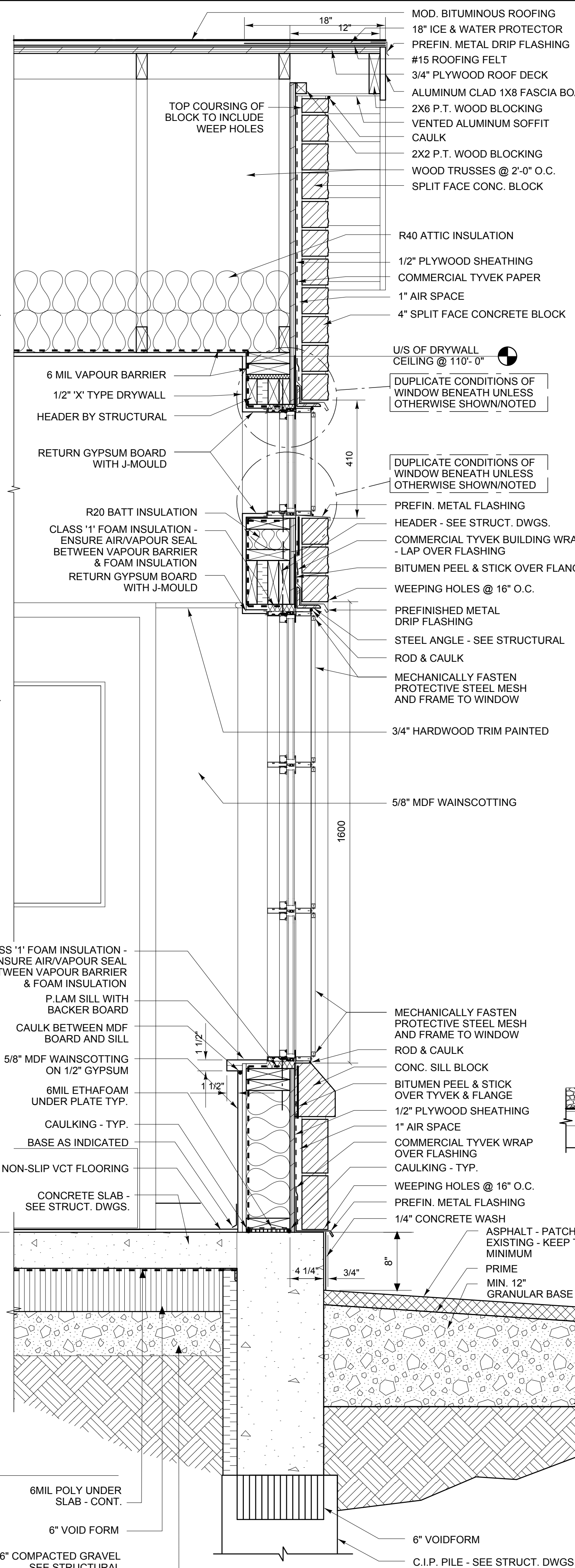
2 SECTION THRU VESTIBULE  
SCALE 1:50



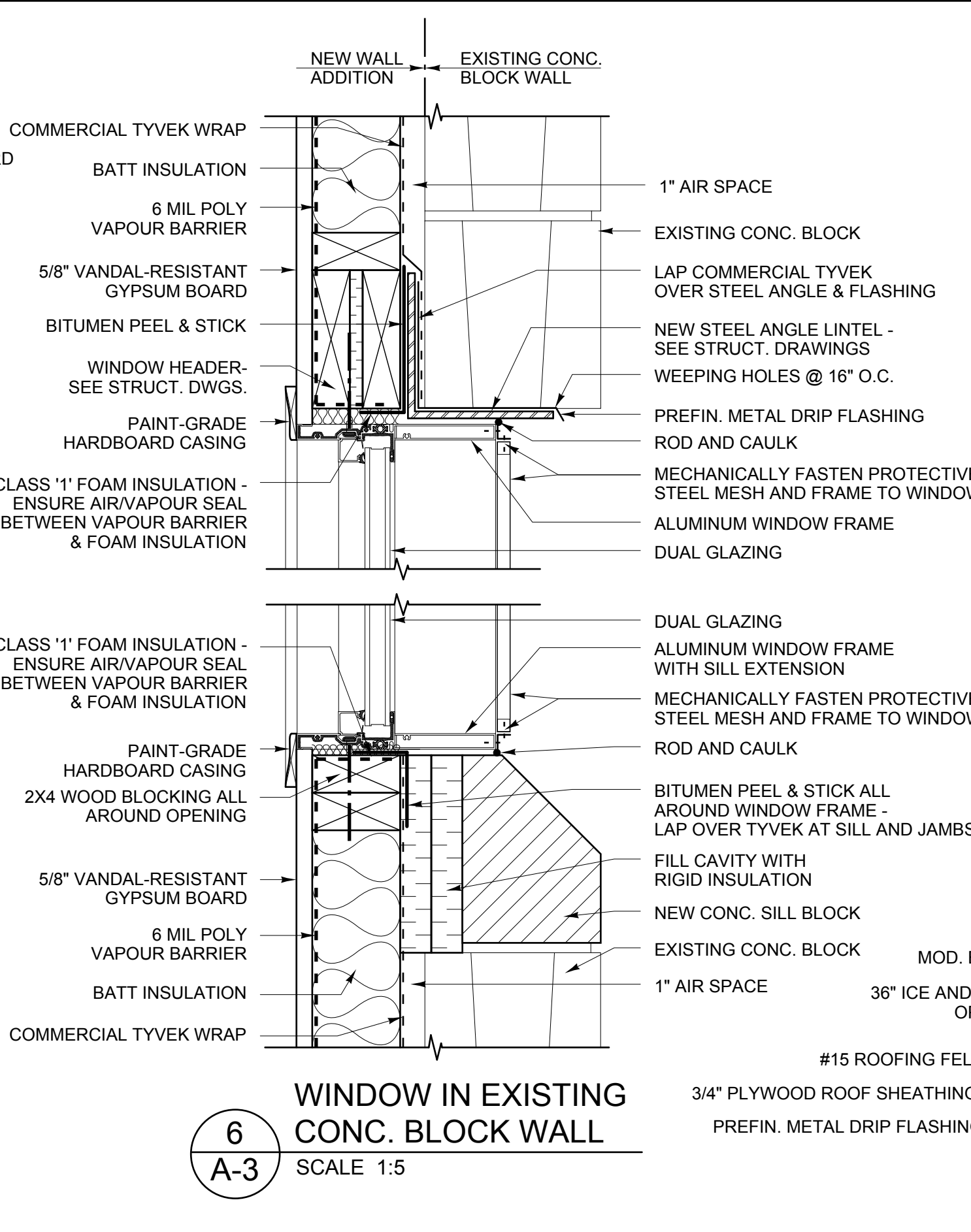
3 SECTION THRU VESTIBULE  
SCALE 1:50



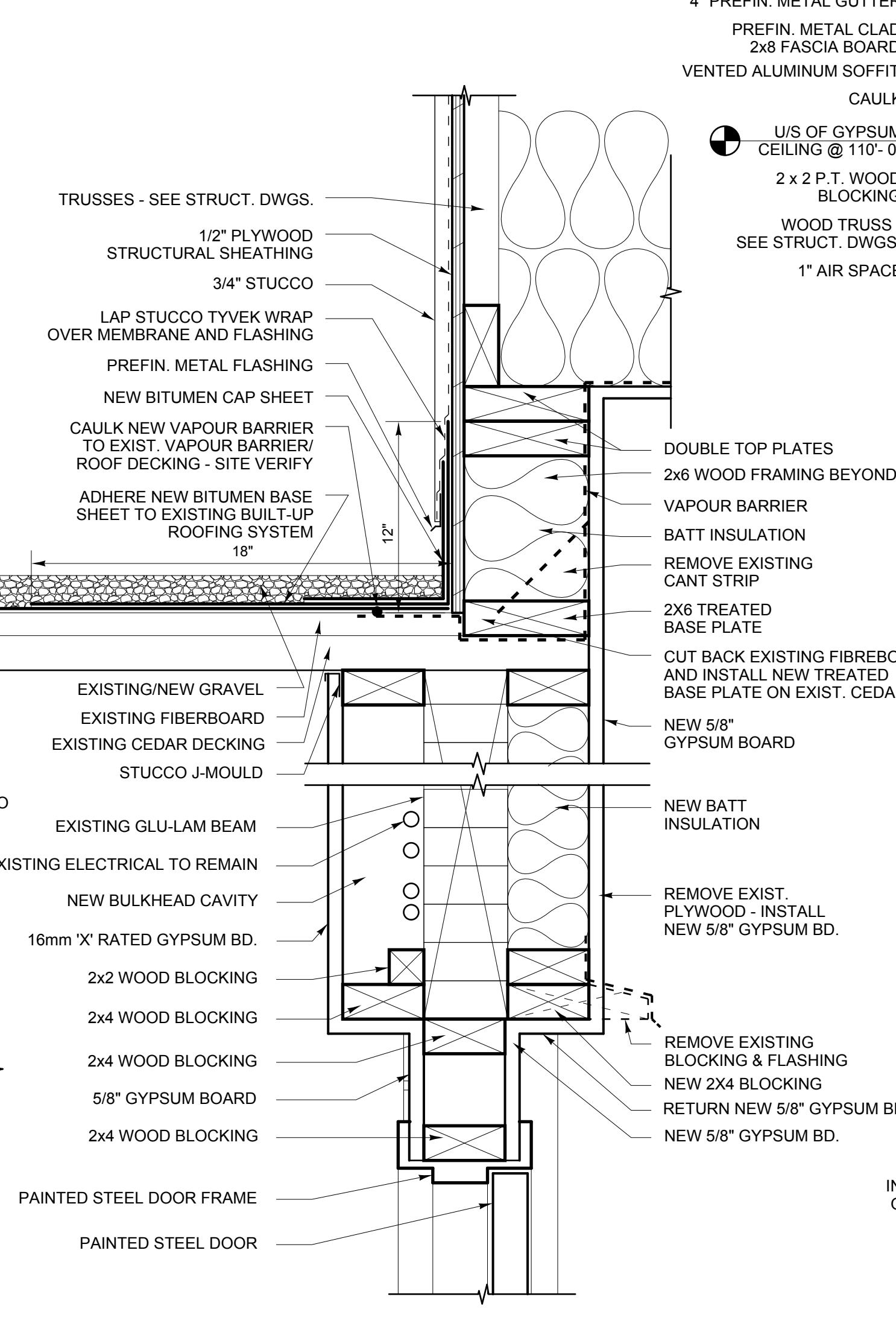
4 VESTIBULE TO EXIST. CONNECTION  
SCALE 1:10



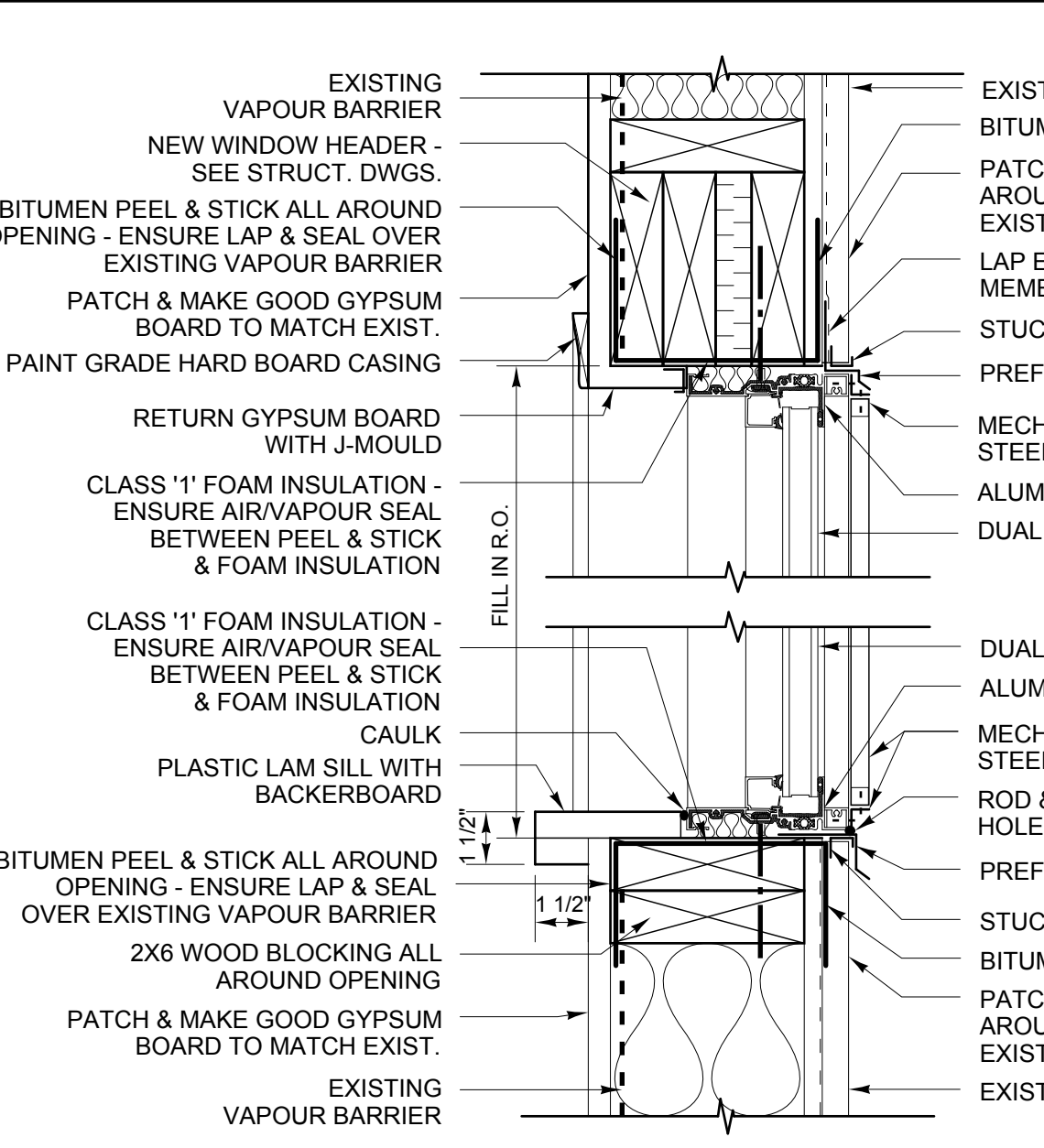
5 WALL SECTION  
SCALE 1:10



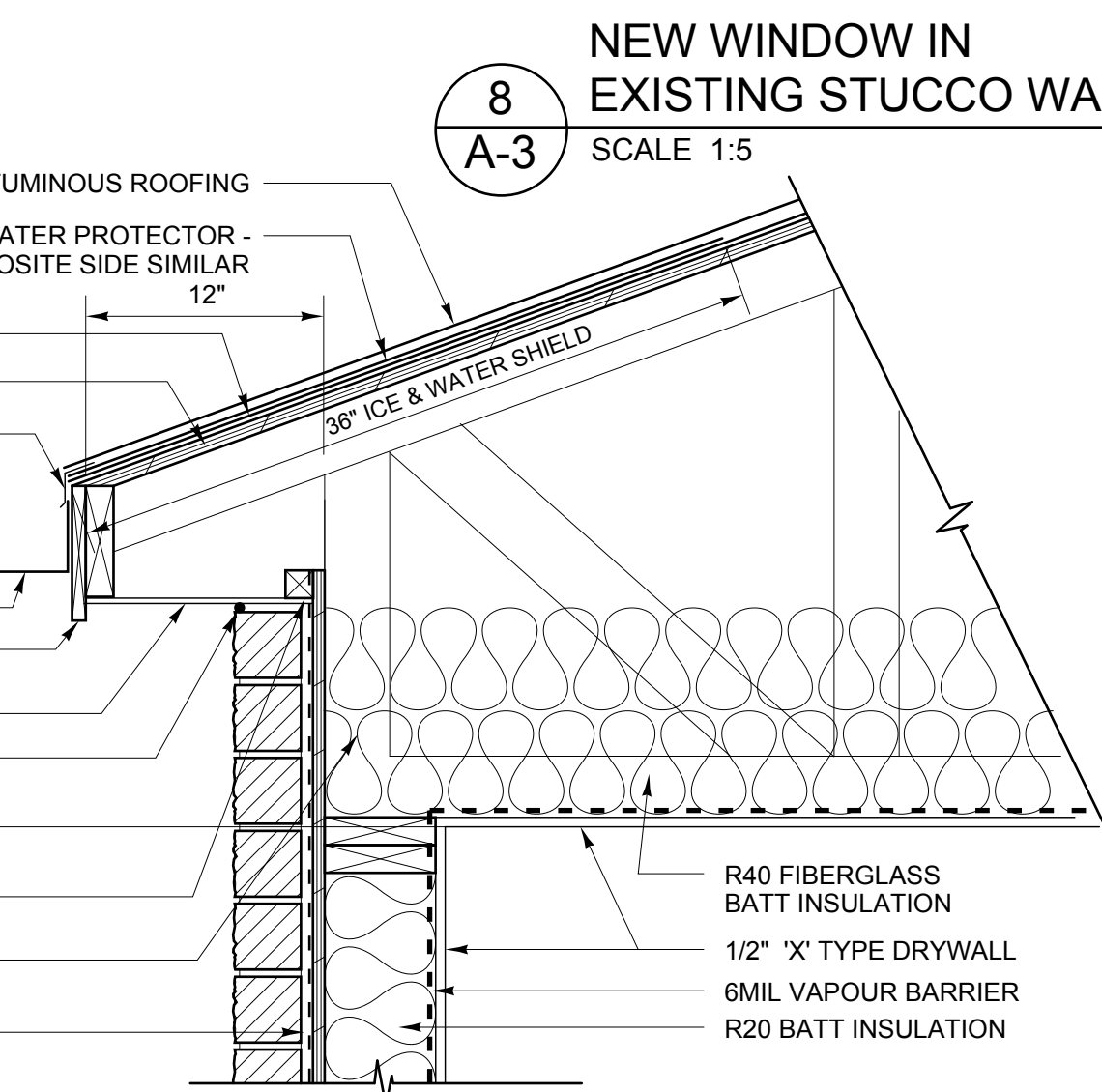
6 WINDOW IN EXISTING  
CONC. BLOCK WALL  
SCALE 1:5



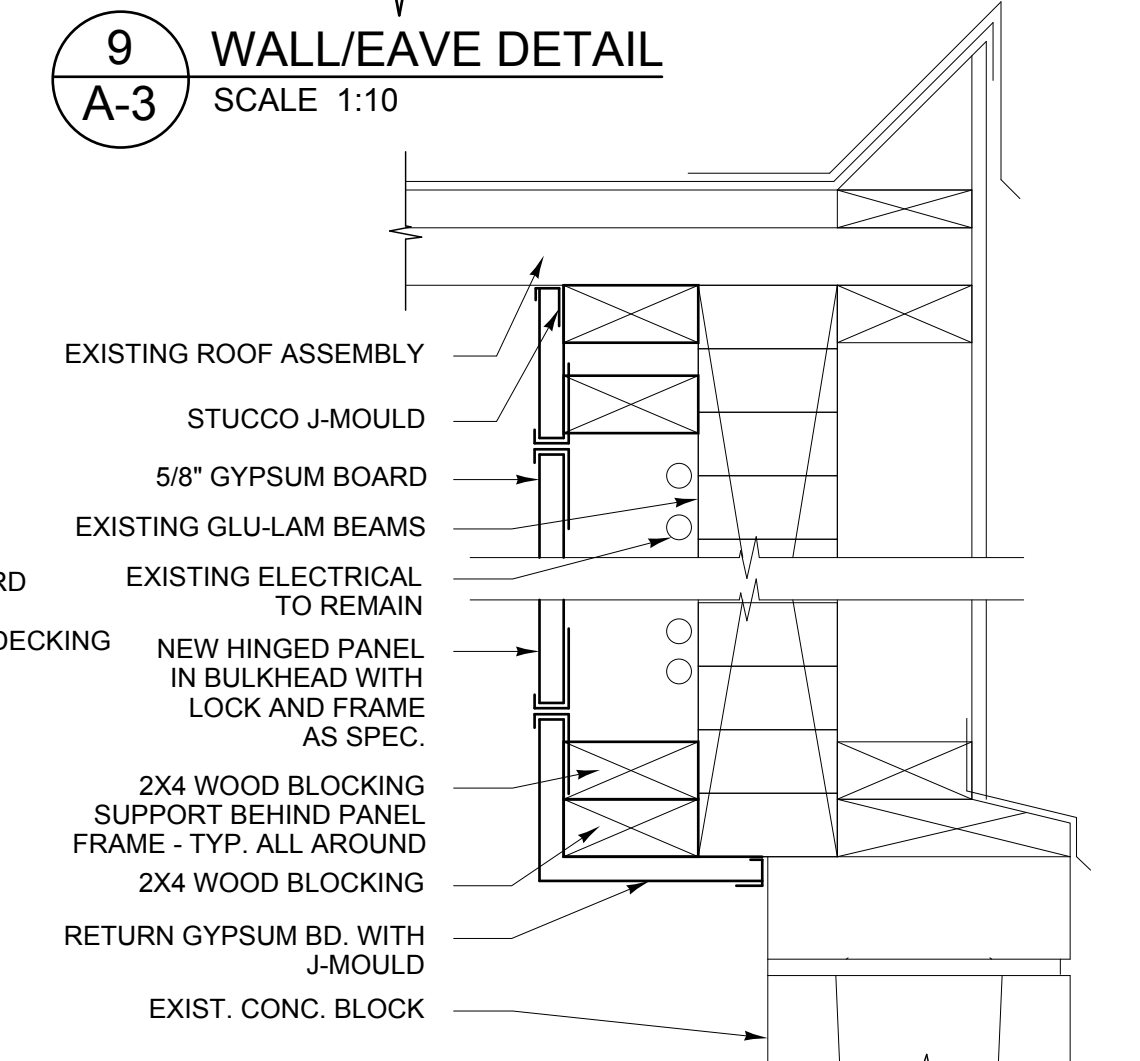
7 NEW TO EXISTING CONNECTION  
SCALE 1:5



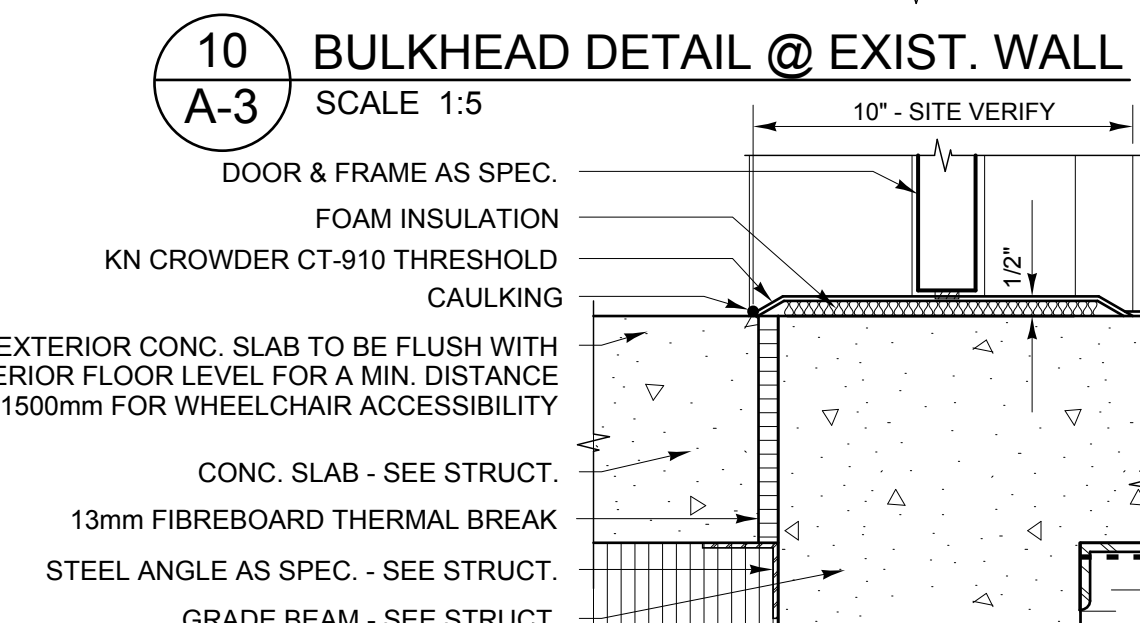
8 NEW WINDOW IN  
EXISTING STUCCO WALL  
SCALE 1:5



9 WALL/EAVE DETAIL  
SCALE 1:10



10 BULKHEAD DETAIL @ EXIST. WALL  
SCALE 1:5



11 DOOR SILL DETAIL @ ENTRANCE  
SCALE 1:5

revisions  
This drawing must not be scaled.  
The Contractor must verify all dimensions, datums and levels prior to commencement of work. All errors and omissions must be reported immediately to the Contract Administrator.  
Variations and modifications to work shown on this drawing shall not be carried out without written permission from the Contract Administrator.  
This drawing is the exclusive property of the Contract Administrator and cannot be reproduced without written permission of the Contract Administrator. Copyright © 2004.

ORIGINAL DRAWING STAMPED  
BY HAROLD G. FUNK, MAA.  
DATE: JUNE 2, 2005

architect  
**HAROLD FUNK ARCHITECT INC.**  
201-171 Donald Street  
Winnipeg, Manitoba  
Canada R3C 1M4  
Tel. 204 943 5087  
Fax. 204 949 9231

project  
**LUXTON COMMUNITY CENTRE - ADDITION & RENOVATIONS**  
210 St. CROSS ST. WINNIPEG, MANITOBA  
sheet title

SECTIONS & DETAILS

project no. 20415  
scale AS SHOWN  
drawn by B.P. & G.S.  
approved by H.F.  
date FEBRUARY 14, 2004  
sheet no.  
**A-3**