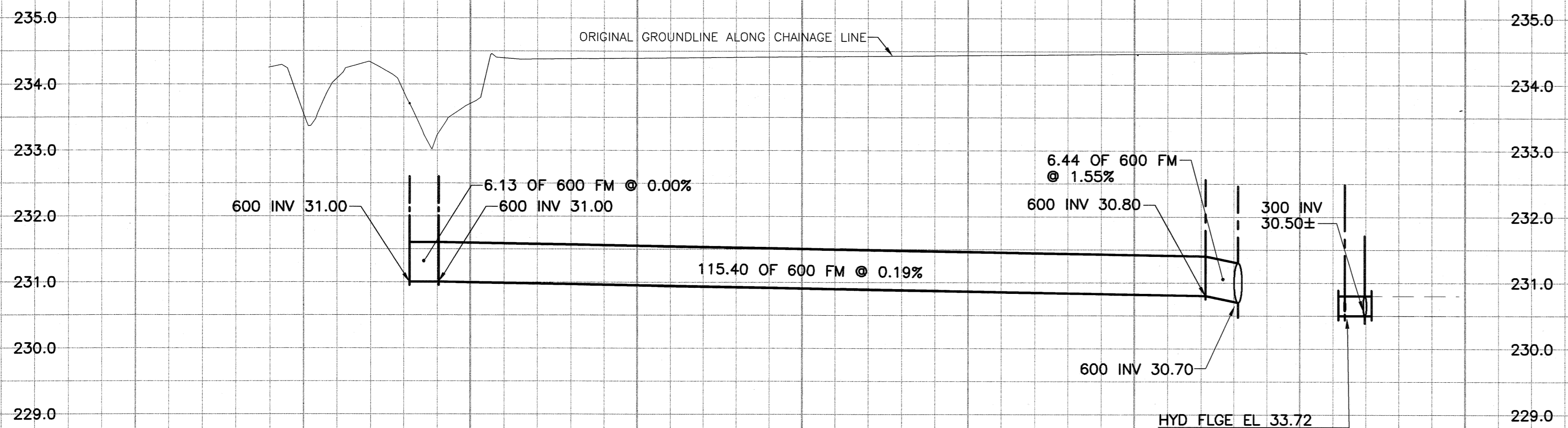
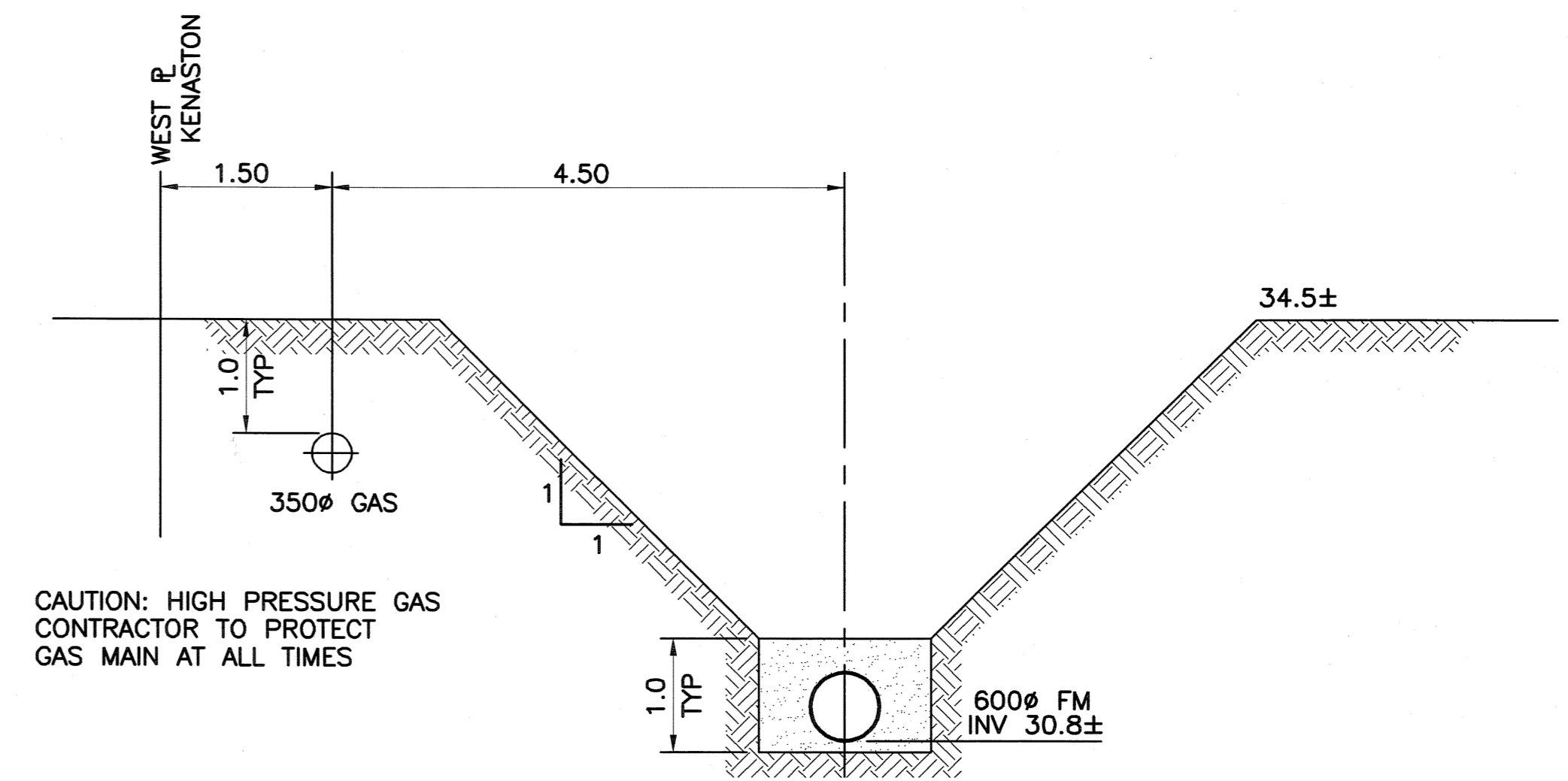


A1 SIZE 28.4" x 33.1" (594mm x 841mm)



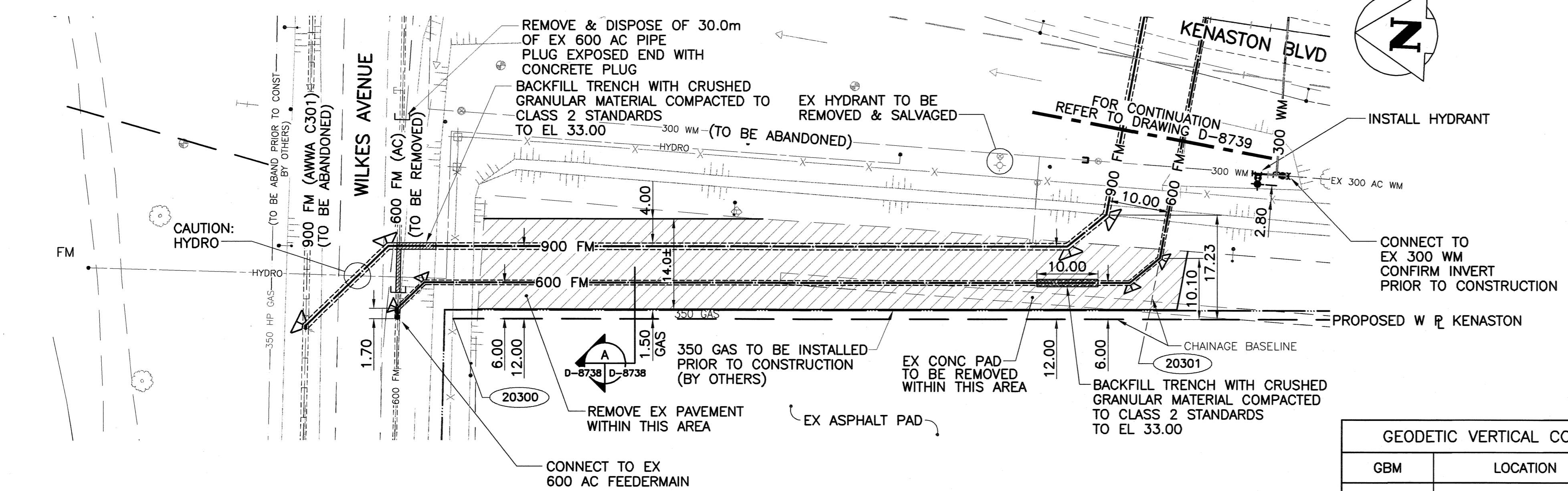
300 WATERMAIN & 600 FEEDERMAIN PROFILE
 (900 FEEDERMAIN NOT SHOWN FOR CLARITY - SEE DWG No. D-8741)



CAUTION: HIGH PRESSURE GAS CONTRACTOR TO PROTECT GAS MAIN AT ALL TIMES

SECTION A - A
 TYPICAL TRENCH ADJACENT TO 350 GAS LINE

CHAINAGE ALONG WEST CHAINAGE BASELINE



300 Watermain Coordinates			
Point Number	Northing	Easting	Description
20200	10657.095	9980.659	300 TEE CONNECT TO EXIST MAIN
20201	10656.676	9993.081	
20202	10656.155	10008.474	
20203	10655.416	10030.364	

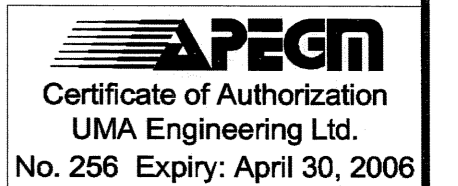
600 Feedermain Coordinates			
Point Number	Northing	Easting	Description
20100	10799.949	9950.579	CONNECT TO EXIST FEEDERMAIN
20101	10799.984	9952.278	600 44'23" BEND
20102	10795.790	9956.755	600 44'23" BEND
20103	10680.497	9961.765	600 39'35" BEND
20104	10675.716	9966.080	600 39'35" BEND

Chainage Line Coordinates			
Point Number	Northing	Easting	Description
20300	10790.811	9950.966	PROP W PL KENASTON BLVD @ S PL WILKES AVE
20301	10677.209	9955.902	P.I. @ PROP W PL KENASTON BLVD
20302	10662.879	10053.587	P.I. @ PROP E PL KENASTON BLVD
20303	10772.759	10096.429	PROP E PL KENASTON BLVD
20304	10824.440	10116.580	EXTENSION OF KENASTON BLVD @ N PL EXTENSION WILKES AVE

GEODETIC VERTICAL CONTROL POINTS—PROJECT COORDINATES				NAD83 DATUM			
GBM	LOCATION	NORTHING	EASTING	ELEVATION	NORTHING	EASTING	ELEVATION
67-001	S SIDE WILKES AVE E OF MCCREARY ROAD	10554.718	8426.237	234.148	5522899.108	627228.196	-
67-002	S SIDE WILKES AVE W OF KENASTON BLVD	10771.437	9669.574	233.951	5523115.778	628471.249	-

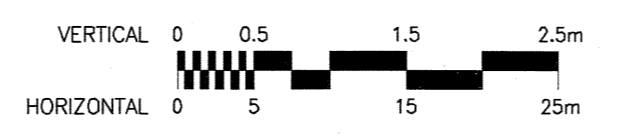
NOTE: PROJECT DRAWINGS HAVE AN APPLIED SCALE FACTOR OF 1.000196 APPLIED TO LBIS INFORMATION TO MATCH LOCAL PROJECT COORDINATES.

BID OPPORTUNITY No. 340-2005



WARNING
 IF POWER EQUIPMENT OR EXPLOSIVES ARE TO BE USED FOR EXCAVATION ON THIS PROJECT THE CONTRACTOR MUST:
 1) NOTIFY THE GAS COMPANY OF THE PROPOSED LOCATION OF EXCAVATION.
 2) TAKE PRECAUTION TO AVOID DAMAGE TO GAS COMPANY INSTALLATIONS.
 SEE PROVINCIAL REGULATION 140/92 FOR DETAILS

METRIC
 WHOLE NUMBERS INDICATE MILLIMETRES
 DECIMALIZED NUMBERS INDICATE METRES



EXISTING	LEGEND - PLAN	NEW	EXISTING	LEGEND - PLAN	NEW	EXISTING	LEGEND - PLAN	NEW
○	MANHOLE	●	○	MANHOLE	●	○	MANHOLE	●
□	CATCH BASIN/CATCH PIT	■	□	CATCH BASIN/CATCH PIT	■	□	CATCH BASIN/CATCH PIT	■
△	C & G INLET WITH BOX	▲	△	C & G INLET WITH BOX	▲	△	C & G INLET WITH BOX	▲
○	TREE	○	○	TREE	○	○	TREE	○
TH10	TEST HOLE	—	TH10	TEST HOLE	—	TH10	TEST HOLE	—
—	PROPERTY LINE	—	—	PROPERTY LINE	—	—	PROPERTY LINE	—
—	SURVEY BAR	—	—	SURVEY BAR	—	—	SURVEY BAR	—
○	GEODETIC MONUMENT	○	○	GEODETIC MONUMENT	○	○	GEODETIC MONUMENT	○
—	FENCE	—	—	FENCE	—	—	FENCE	—
—	B.O.CURB/E.O.PAVEMENT	—	—	B.O.CURB/E.O.PAVEMENT	—	—	B.O.CURB/E.O.PAVEMENT	—
—	ELEVATION	33.000	—	ELEVATION	33.000	—	ELEVATION	33.000
○	CONTROL POINT	○	○	CONTROL POINT	○	○	CONTROL POINT	○
+	SIGN	+	+	SIGN	+	+	SIGN	+
•	POLE	•	•	POLE	•	•	POLE	•
○	RAIL SIGNALS/SIGNS	○	○	RAIL SIGNALS/SIGNS	○	○	RAIL SIGNALS/SIGNS	○

LOCATION APPROVED UNDERGROUND STRUCTURES

SUPV. U/G STRUCTURES COMMITTEE DATE

NOTE: LOCATION OF UNDERGROUND STRUCTURES AS SHOWN ARE BASED ON THE BEST INFORMATION AVAILABLE BUT NO GUARANTEE IS GIVEN THAT ALL EXISTING UTILITIES ARE SHOWN OR THAT THE GIVEN LOCATIONS ARE EXACT. CONFIRMATION OF EXISTENCE AND EXACT LOCATION OF ALL SERVICES MUST BE OBTAINED FROM THE INDIVIDUAL UTILITIES BEFORE PROCEEDING WITH CONSTRUCTION.

B.M. GBM67-001 ELEV. 234.148

UMA | AECOM

2005 UMA ENGINEERING LTD. ALL RIGHTS RESERVED.

DESIGNED BY: MGM CHECKED BY: [Signature]

DRAWN BY: DML APPROVED BY: [Signature]

HOR. SCALE: 1:500 AUTHORIZED BY: [Signature] DATE: 05/06/22

VERTICAL: 1:50

ISSUED FOR TENDER: 05/06/21 WJD

ISSUED FOR CLIENT REVIEW: 05/02/28 DML

NO. REVISIONS DATE BY

ENGINEER'S SEAL

PROVINCE OF MANITOBA REGISTERED ENGINEER

JAMES C. CACEY

CONSULTANT DRAWING NO. 4231-040-02

THE CITY OF WINNIPEG
 WATER AND WASTE DEPARTMENT
 ENGINEERING DIVISION

Winnipeg

KENASTON UNDERPASS PROJECT
 CHARLESWOOD AND WILKES FEEDERMAIN RELOCATION

SHEET 2 OF 9
 CAD FILE DRAWING NUMBER 01-C-0002_RX
 CITY DRAWING NUMBER D-8738

UMA FILE NAME: 4231-040-02_01-C-0002_RX.dwg Saved By: wdenoude