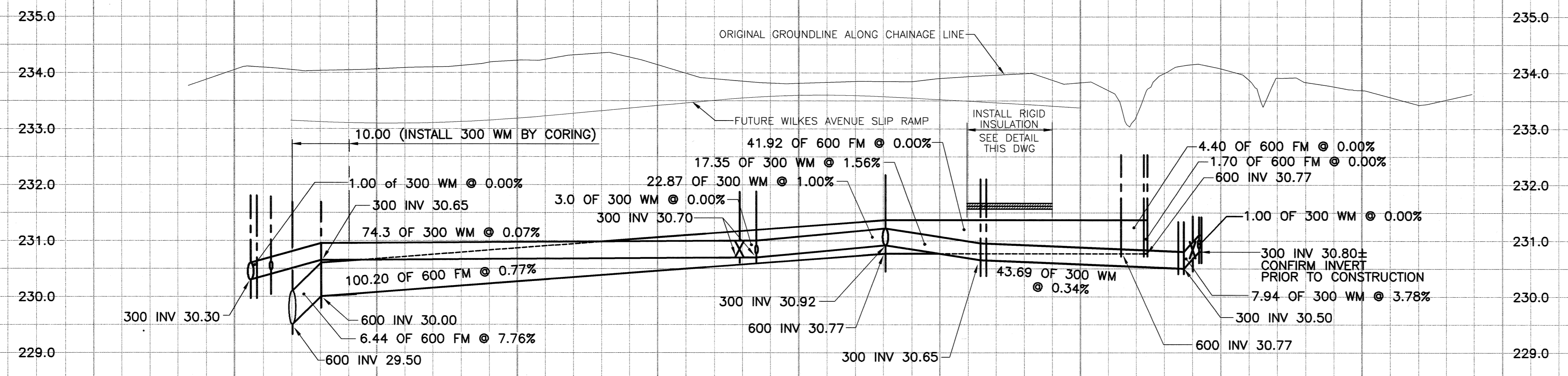


A1 SIZE 23.4" x 33.1" (594mm x 841mm)

PLOT: 05/06/22 2:36:13 PM



**300 WATERMAIN & 600 FEEDERMAIN PROFILE**  
(900 FEEDERMAIN NOT SHOWN FOR CLARITY - SEE DWG No. D-8743)

1+202.85 300 45° BEND (EXT)  
1+203.92 300 22.5° BEND (EXT)  
1+206.40 300x150 HYDRANT TEE (EXT)  
1+210.14 600 39° BEND (EXT)  
1+212.439 CHAINAGE LINE PL  
1+215.18 600 39° BEND, 300 GRADE CHANGE

1+289.50 300 GV  
1+292.50 HYD TEE

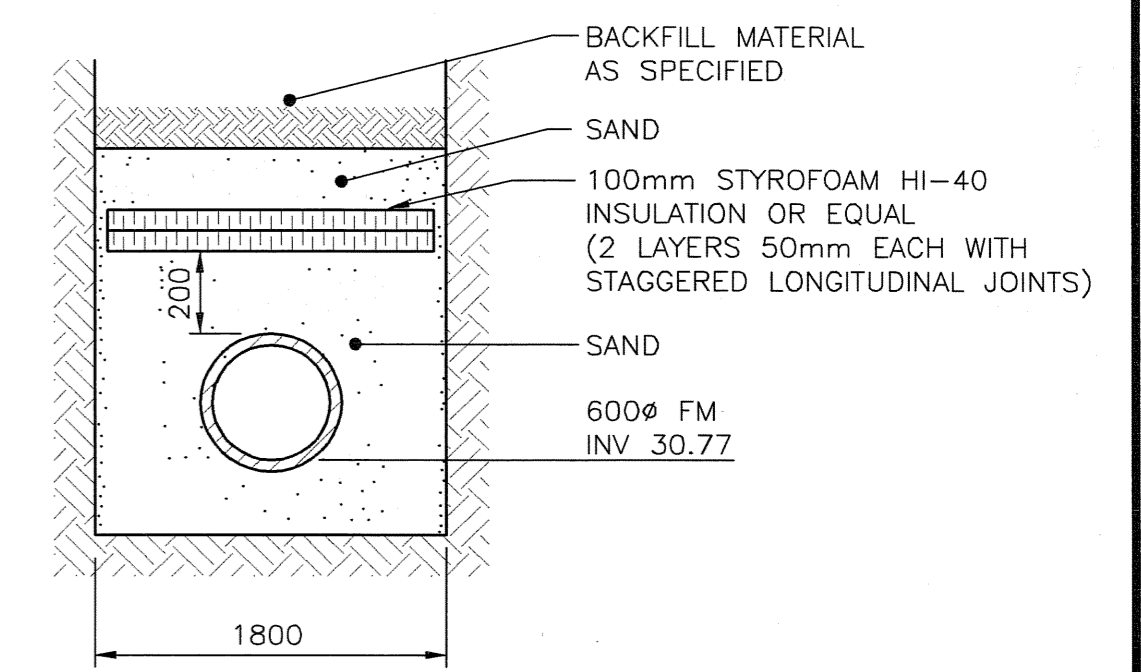
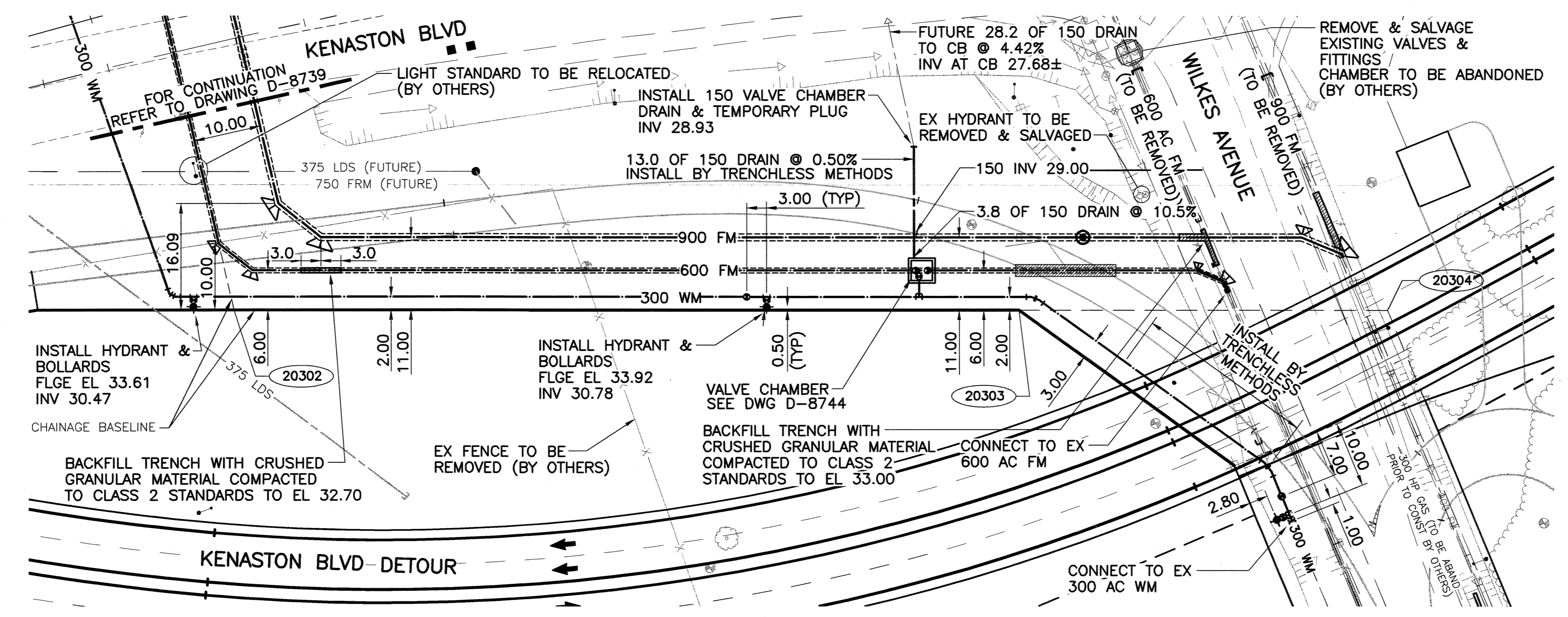
1+313.19 CONNECT TO CHAMBER PIPING  
1+315.37 OFF-TAKE CHAMBER & 300 TEE  
1+318.39 CONNECT TO CHAMBER PIPING

1+329.80 BEGIN 600 FM INSULATION  
1+332.23 300 22.5° BEND, 300 GRADE CHANGE  
1+333.23 300 11.25° BEND

1+345.00 END 600 FM INSULATION

1+357.29 600 23° BEND  
1+361.35 600 45° BEND  
1+362.00 600 CONNECTION  
1+362.950 SE PL WILKES AVE  
1+367.48 300 22.5° BEND  
1+368.46 300 11.25° BEND  
1+370.02 300 GV  
1+371.17 HYD TEE  
1+371.55 300 CONNECTION

CHAINAGE ALONG EAST CHAINAGE BASELINE



**INSULATION DETAIL**  
N.T.S.

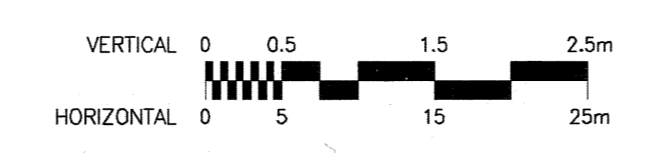
FOR 300 WATERMAIN & 600 FEEDERMAIN  
COORDINATES SEE DWG No. D-8739

**METRIC**

WHOLE NUMBERS INDICATE MILLIMETRES  
DECIMALIZED NUMBERS INDICATE METRES

**WARNING**

IF POWER EQUIPMENT OR EXPLOSIVES ARE TO BE USED FOR EXCAVATION ON THIS PROJECT THE CONTRACTOR MUST:  
1) NOTIFY THE GAS COMPANY OF THE PROPOSED LOCATION OF EXCAVATION.  
2) TAKE PRECAUTION TO AVOID DAMAGE TO GAS COMPANY INSTALLATIONS.  
SEE PROVINCIAL REGULATION 140/92 FOR DETAILS

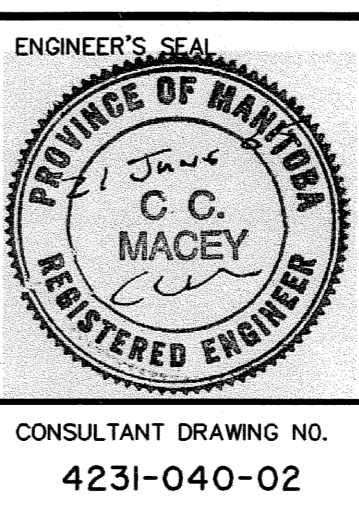


EXISTING	LEGEND	PLAN	NEW	EXISTING	LEGEND	PLAN	NEW	EXISTING	LEGEND	PLAN	NEW
○	MANHOLE	●		□	CATCH BASIN/CATCH PIT	▲		△	C & G INLET WITH BOX		
○	TEST HOLE	---		TH10	PROPERTY LINE	---		+	SURVEY BAR		
○	GEODETIC MONUMENT	○	20300	+	CONTROL POINT			+	SIGN		
○	FENCE	+		+	POLE			+	RAIL SIGNALS/SIGNS		
○	B.O.CURB/E.O.PAVEMENT	○	33.000	○	ELEVATION	○	33.000				

**LOCATION APPROVED UNDERGROUND STRUCTURES**  
SUPV. U/G STRUCTURES COMMITTEE DATE  
NOTE:  
LOCATION OF UNDERGROUND STRUCTURES AS SHOWN ARE BASED ON THE BEST INFORMATION AVAILABLE BUT NO GUARANTEE IS GIVEN THAT THE GIVEN LOCATIONS ARE EXACT. CONFIRMATION OF EXISTENCE AND EXACT LOCATION OF ALL SERVICES MUST BE OBTAINED FROM THE INDIVIDUAL UTILITIES BEFORE PROCEEDING WITH CONSTRUCTION.

B.M. GBM67-001 ELEV. 234.148	
B	ISSUED FOR TENDER 05/06/21 WJD
A	ISSUED FOR CLIENT REVIEW 05/02/28 DML
NO.	REVISIONS DATE BY

UMA AECOM  
©2005 UMA ENGINEERING LTD. ALL RIGHTS RESERVED.  
DESIGNED BY: MGM  
CHECKED BY: [Signature]  
DRAWN BY: DML  
APPROVED BY: [Signature]  
AUTHORIZED BY: [Signature] DATE: 05/06/22  
K. ZUREK, P. ENG.  
DESIGN & CONSTRUCTION ENGINEER



BID OPPORTUNITY  
No. 340-2005

**THE CITY OF WINNIPEG**  
WATER AND WASTE DEPARTMENT  
ENGINEERING DIVISION

**KENASTON UNDERPASS PROJECT**  
CHARLESWOOD AND WILKES  
FEEDERMAIN RELOCATION

SHEET 4 OF 9  
CAD FILE DRAWING NUMBER OI-C-0004\_RX  
CITY DRAWING NUMBER D-8740

CONSULTANT DRAWING NO. 4231-040-02  
300 & 600 MAINS - EAST LEG OF RELOCATION  
SOUTH LIMIT TO WILKES AVE