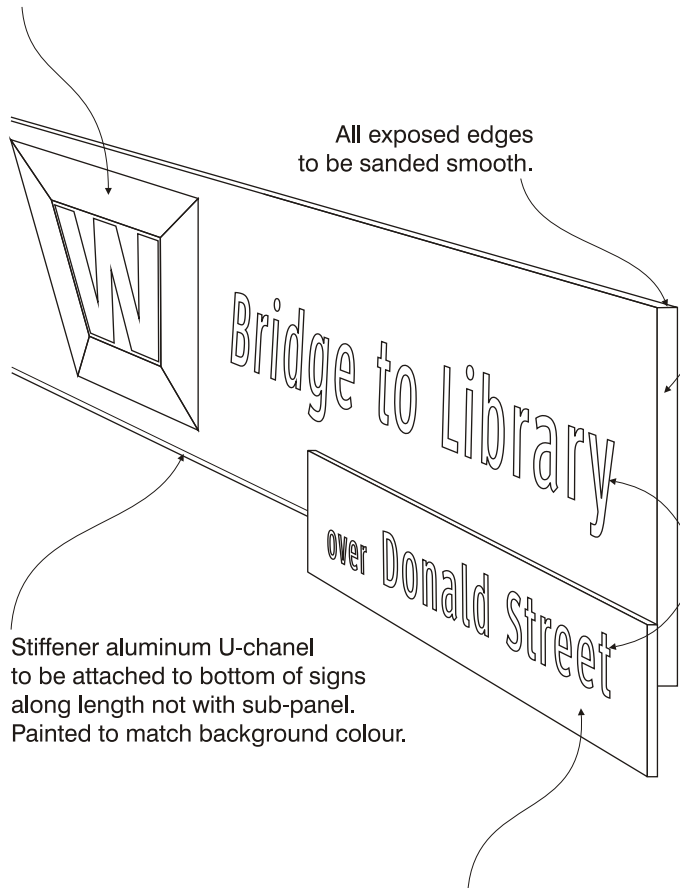


3-D logo to be fabricated from MDF (see sheet WF-3), attached using 3M VHB tape. Colours as per attached detail sheets.\*



All exposed edges to be sanded smooth.

Stiffener aluminum U-channel to be attached to bottom of signs along length not with sub-panel. Painted to match background colour.

Sub-panel to be attached to main panel using 3M very high bond tape as per manufacturer's specs.\*

Acrylic panel, thickness as per shop drawings, painted all sides to match PMS 3135, PMS 2738, PMS 471, or left unpainted white acrylic as per colours on detail sheets. Sample painted acrylic material of each colour to be submitted for approval to owner's consultant prior to fabrication of signs.


Paint specs:

1. Use vinyl wash etching primer.
2. Use 2 part polyurethane & catalyst.
3. Product can be air dried or force dried.

Cut vinyl letters in white or in color matches as indicated on sign detail sheets, material to be submitted for approval to owner's consultant prior to fabrication of signs.

Letters to be in Clearview font. Font software to be provided by owner's consultant for use on this project output only.

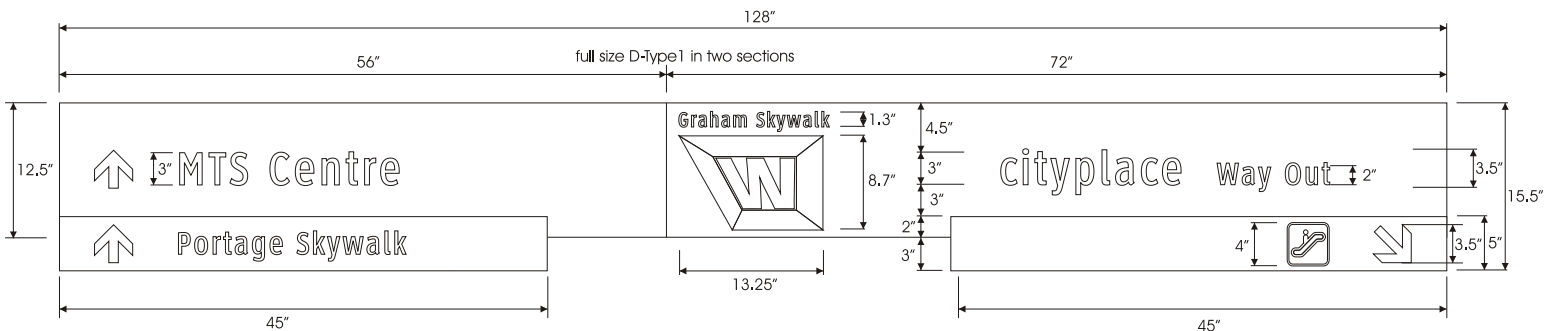
**\* OF EXTREME IMPORTANCE:  
PRECISELY FOLLOW 3-M TECHNICAL SPECS FOR VHB TAPE  
FOR APPLICATION OF TAPE FOR MATERIAL  
& WEIGHT OF SIGN.**

|                                                                                                                                                                                                  |                                                                |                                                                                  |
|--------------------------------------------------------------------------------------------------------------------------------------------------------------------------------------------------|----------------------------------------------------------------|----------------------------------------------------------------------------------|
|  <p>Informing Design, Inc.<br/>4 Smithfield St. 7th Floor<br/>Pittsburgh, PA 15222<br/>Phone 412-261-0446</p> | <p><b>City of Winnipeg</b><br/>Pedestrian Wayfinder System</p> | <p>Interior Directional Signs</p> <p>Date 22 June, 2005<br/>Drawing No. WF-1</p> |
|--------------------------------------------------------------------------------------------------------------------------------------------------------------------------------------------------|----------------------------------------------------------------|----------------------------------------------------------------------------------|

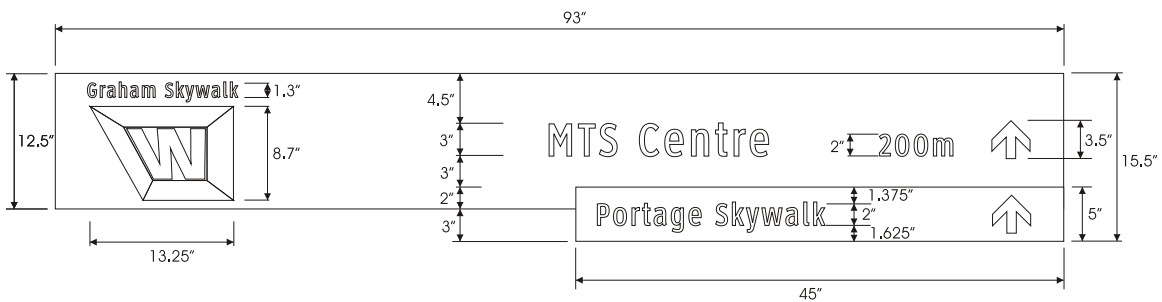
# Interior Directional Signs

# D-signs Full Size Dimensions

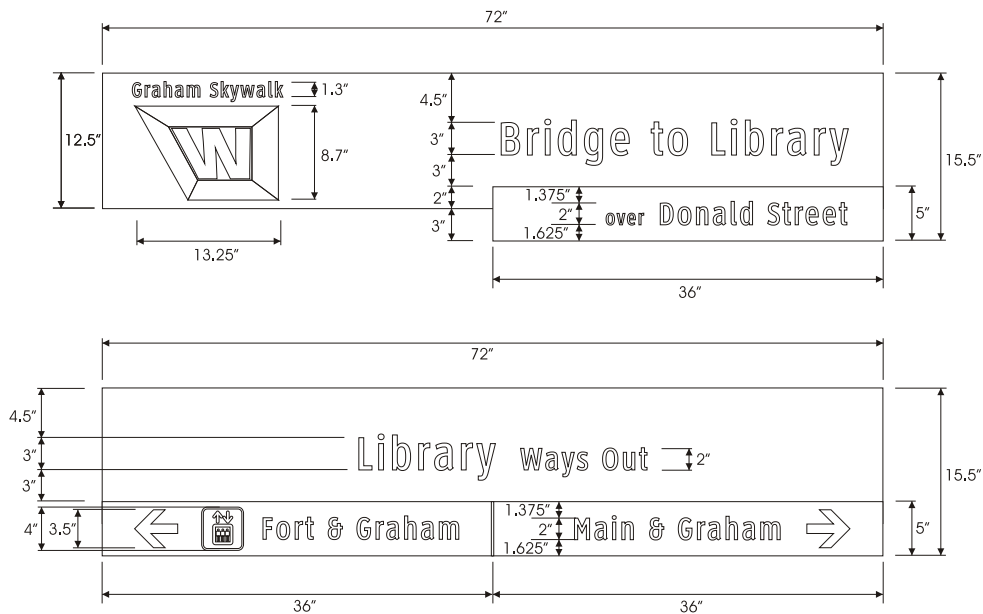
## D-Type 1



## D-Type 2



## D-Type 3



Informing Design, Inc.

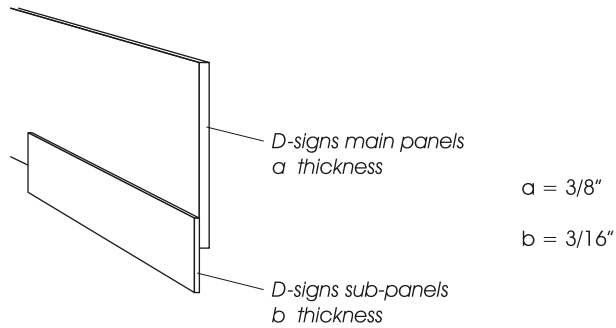
4 Smithfield St. 7th Floor  
Pittsburgh, PA 15222  
Phone 412-261-0446

**City of Winnipeg**  
Pedestrian Wayfinder System

Interior Directional Signs

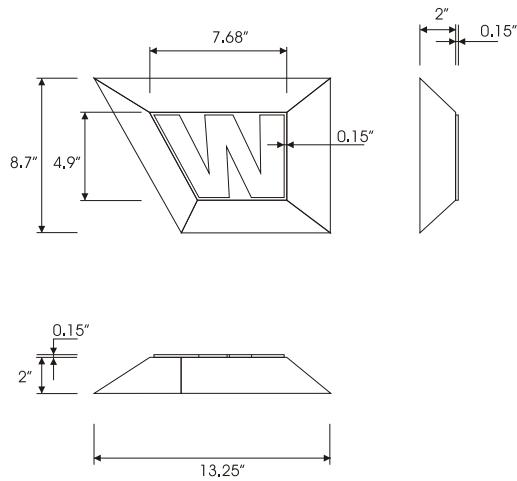
Date 22 June, 2005  
Drawing No. WF-2

**Thickness**



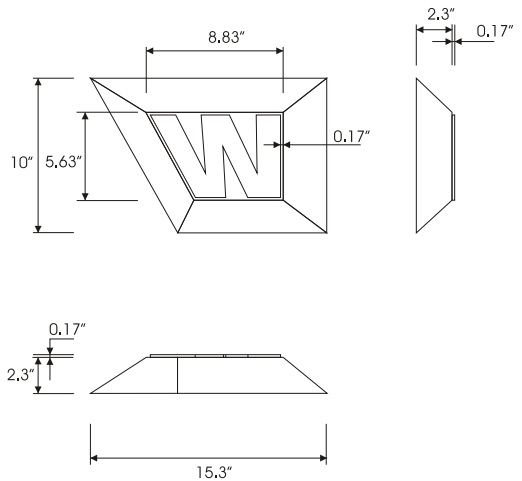
**D-Signs 3-D "W"**

Full Size



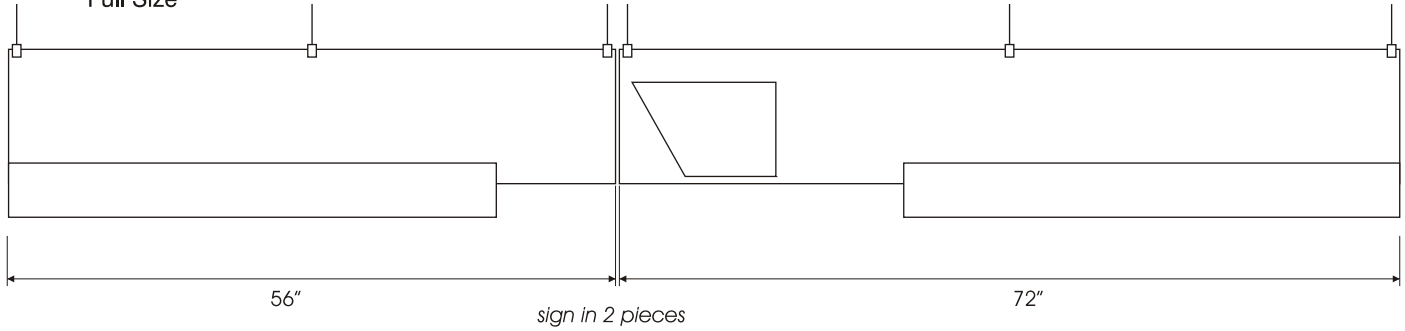
**"W" Signs 3-D "W"**

Full Size

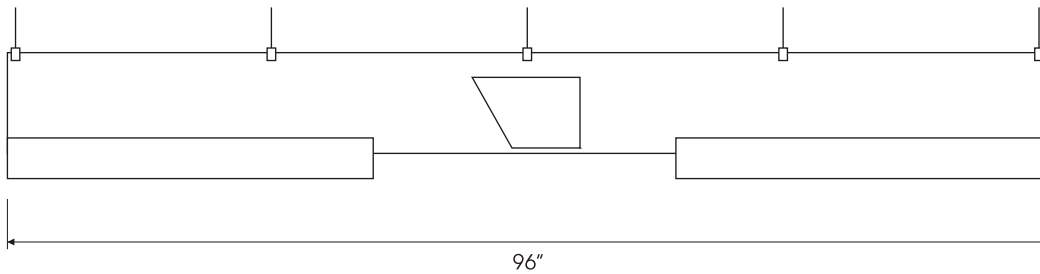


**D-Type 1**

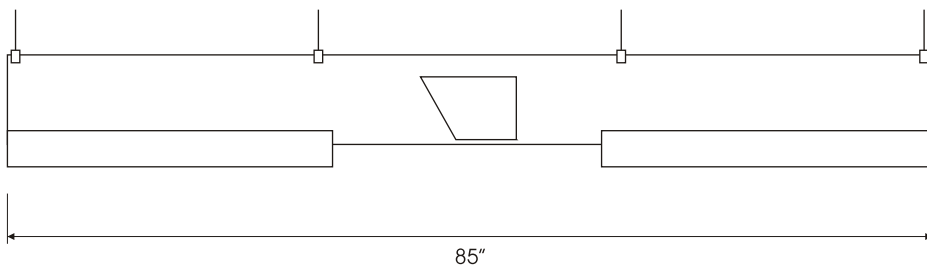
Full Size



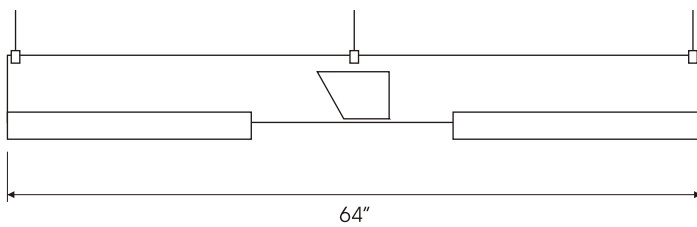
3/4 Size



2/3 Size

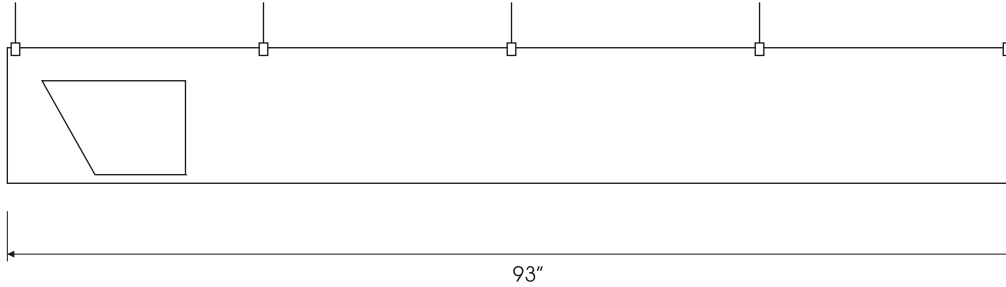


1/2 Size

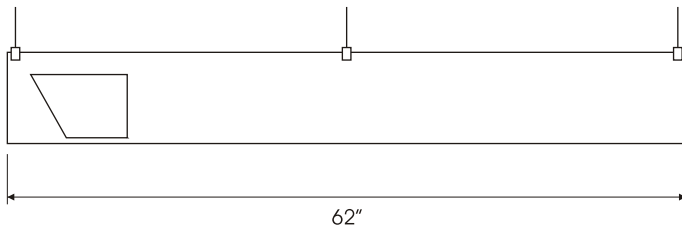


**D-Type 2**

Full Size

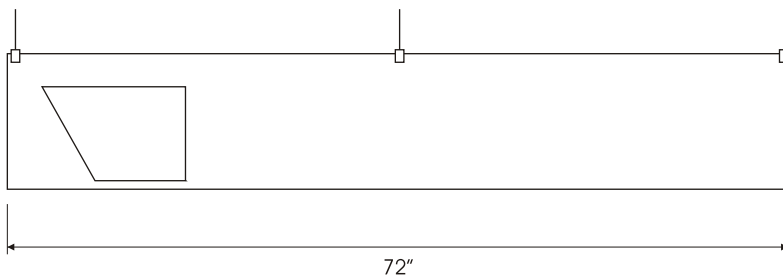


2/3 Size

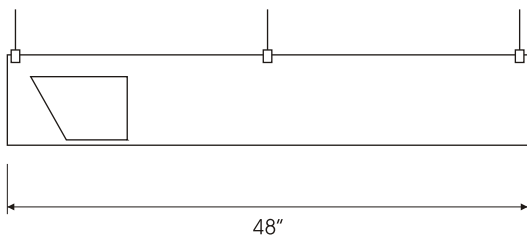


**D-Type 3**

Full Size

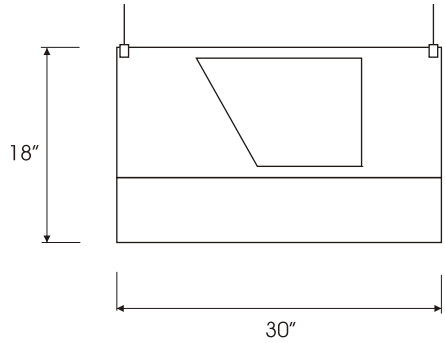


2/3 Size



**“W” Type 1**

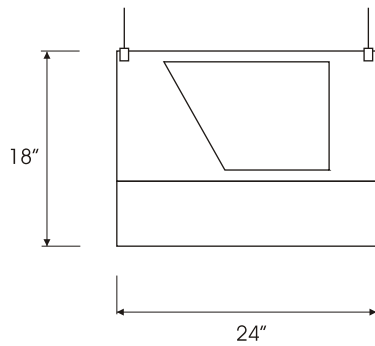
Full Size



thickness  $b = 3/16"$

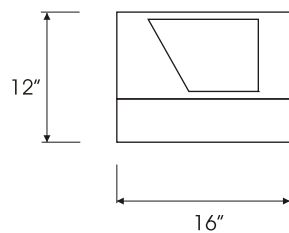
**“W” Type 2**

Full Size



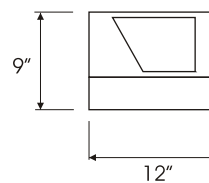
thickness  $b = 3/16"$

2/3 Size



all wall signs  
“W” logo flat screen-printed  
thickness  $b = 3/16"$

1/2 Size



all wall signs  
“W” logo flat screen-printed  
thickness  $b = 3/16"$

## Portage Skywalk



PMS 3135

## Graham Skywalk



PMS 2738

## Main Underground



PMS 126



Informing Design, Inc.

4 Smithfield St. 7th Floor  
Pittsburgh, PA 15222  
Phone 412-261-0446

**City of Winnipeg**  
Pedestrian Wayfinder System

Interior Directional Signs

Date 22 June, 2005  
Drawing No. WF-7



Positive and negative art for 'flat' "W" logo