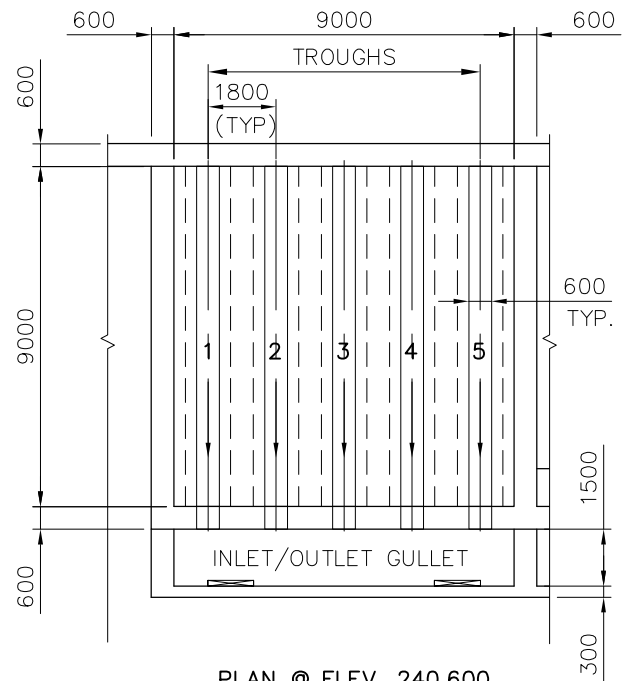
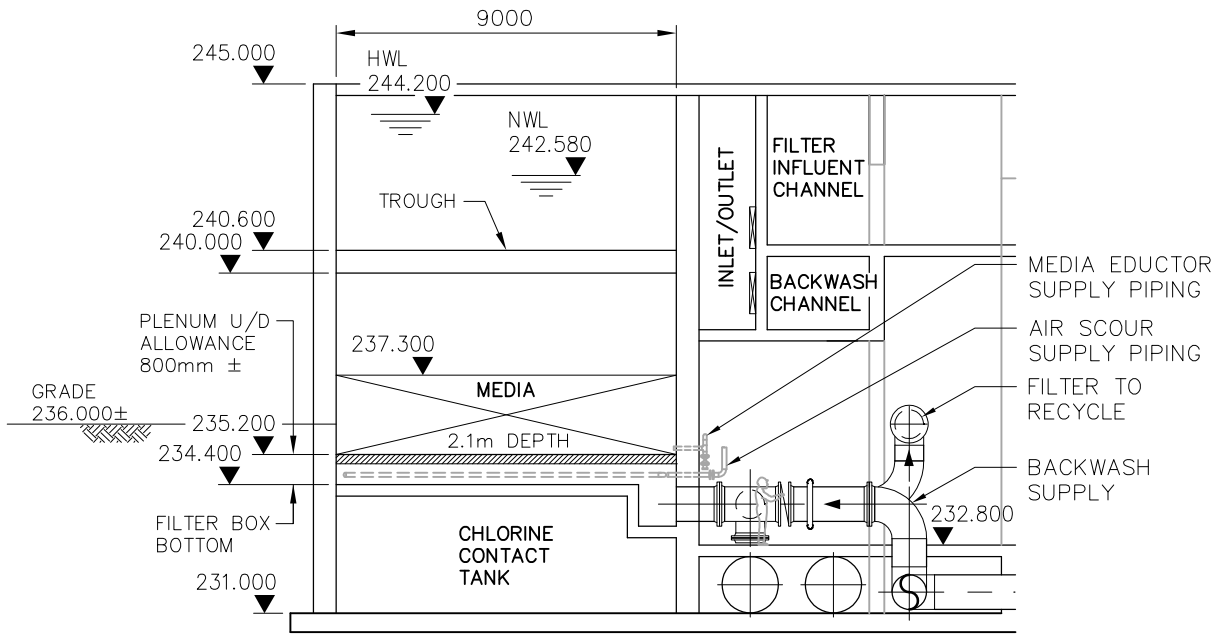


**PLAN @ ELEV. 234.400**  
1:200



**PLAN @ ELEV. 240.600**  
1:200



**SECTION A**  
1:200

2005-08-12 9:20am By: trohl

NO.	REVISIONS	DATE	BY
C	ISSUED FOR BID OP.	2005/08/12	TB
B	ISSUED FOR CLIENT REVIEW	2005/07/29	TB
A	ISSUED FOR CLIENT REVIEW	2005/06/30	TB

**Frederickson Cooper**  
ARCHITECTS

A Type International LLC Company

DESIGNED BY	TB	CHECKED BY	TB
DRAWN BY	TAR	APPROVED BY	PW
SCALE:	NONE	RELEASED FOR CONSTRUCTION BY:	
DATE	2005/06/14	DATE	

ENGINEER'S SEAL

**PRELIMINARY  
NOT FOR  
CONSTRUCTION**

CONSULTANT DRAWING NO.  
WF-M0001

**THE CITY OF WINNIPEG**  
WATER AND WASTE DEPARTMENT  
ENGINEERING DIVISION

WINNIPEG WATER TREATMENT PLANT MAIN PLANT BUILDING FILTER AREA	CITY FILE NUMBER
FILTER BOX DIMENSIONS	SHEET OF
	CITY DRAWING NUMBER