

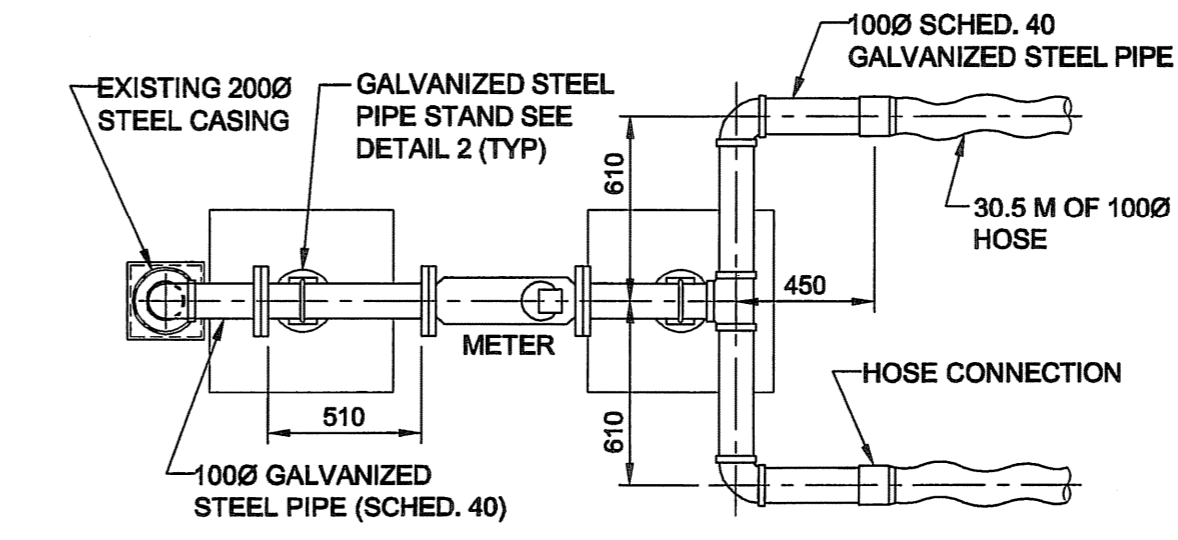
⊗ - EXISTING WELL LOCATIONS

**PARTIAL SITE PLAN 1**

SCALE: N.T.S.



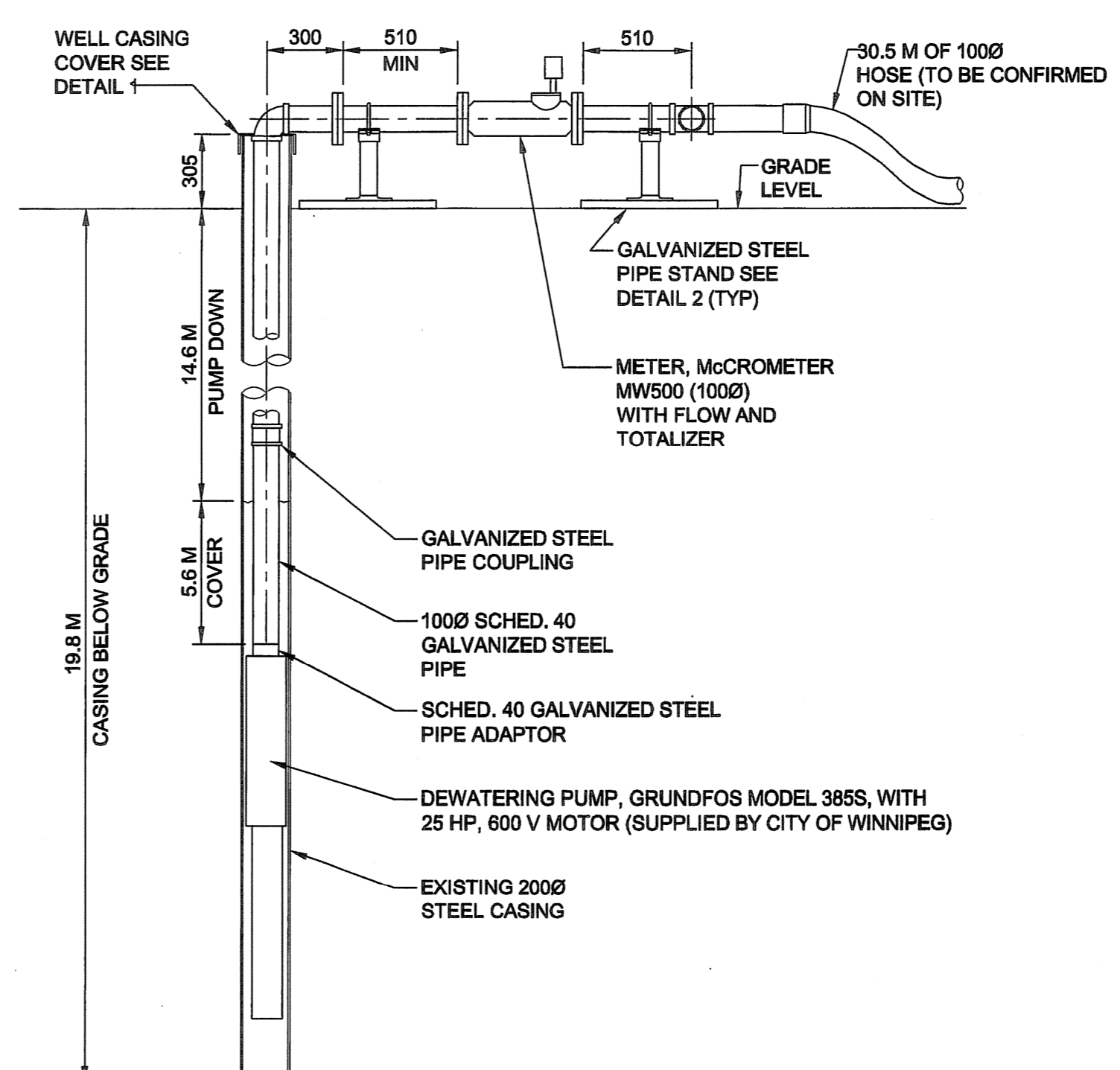
NOTES:  
- HOSE SHALL BE GOODALL N325 ENDURANCE WATER DISCHARGE HOSE w/ PIPE ADAPTORS & FITTINGS FOR 100Ø THREADED PIPE AND OUTLET.



**PLAN 1**

DEWATERING WELL

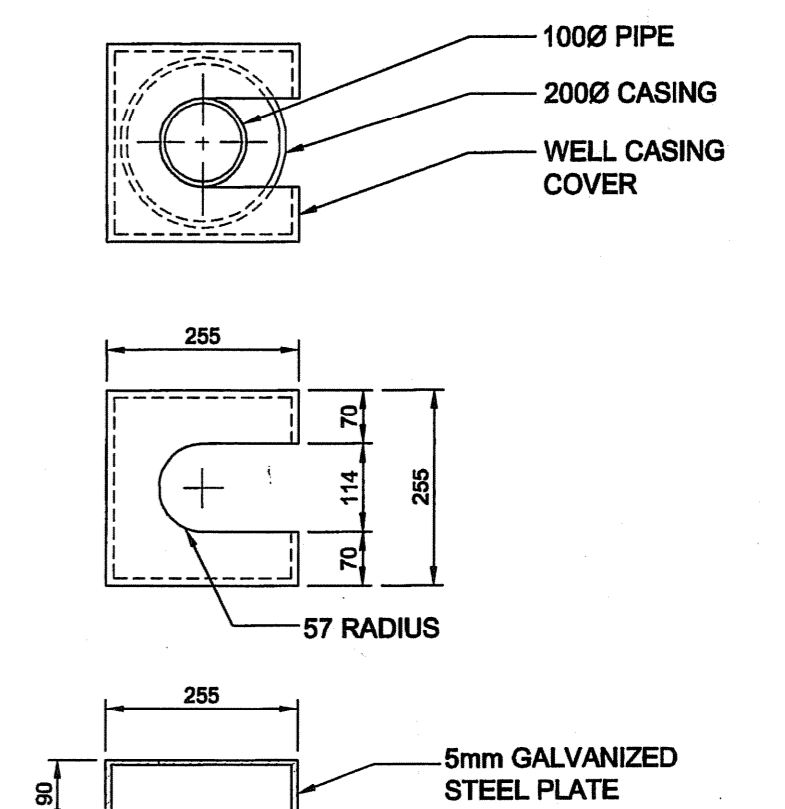
SCALE 1:25



**ELEVATION 1**

DEWATERING WELL

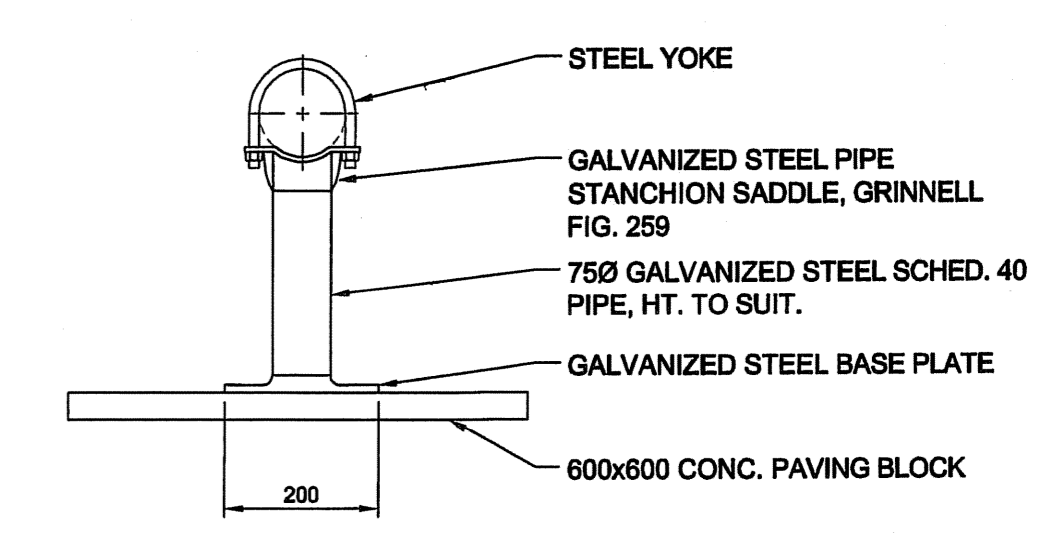
SCALE 1:25



**DETAIL 1**

CASING COVER

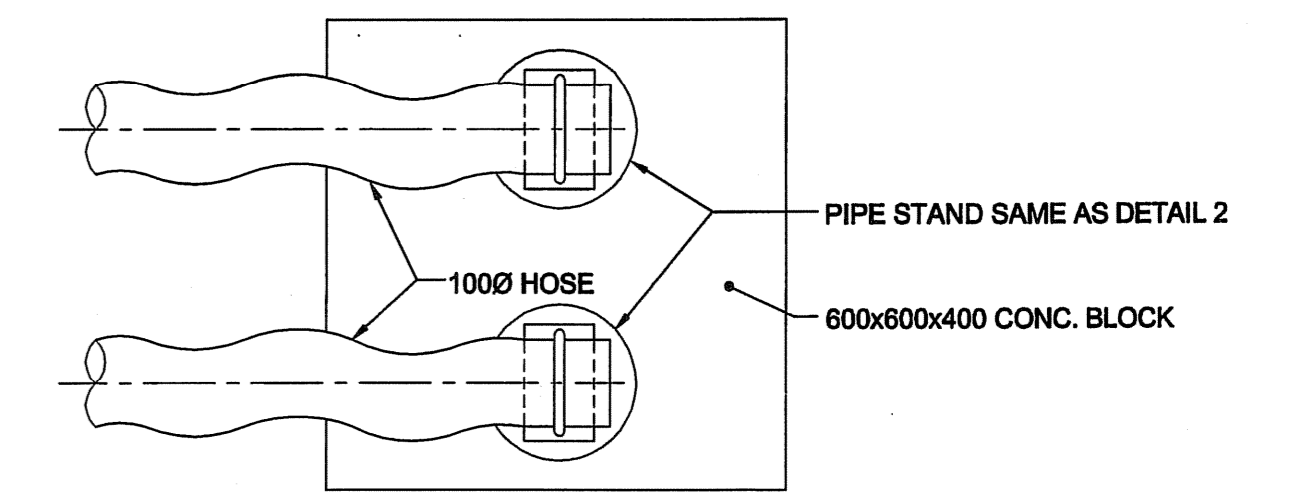
SCALE 1:10



**DETAIL 2**

PIPE STAND

SCALE 1:10



**DETAIL 3**

HOSE DISCHARGE

SCALE 1:10

B.M. ELEV.	<b>UMA   AECOM</b>			<b>THE CITY OF WINNIPEG</b> WATER AND WASTE DEPARTMENT ENGINEERING DIVISION	CITY FILE NUMBER		
	© 2005 UMA ENGINEERING LTD. ALL RIGHTS RESERVED.				DESIGNED BY: JDB	CHECKED BY: [Signature]	SHEET 1 OF 1
	DRAWN BY: RP				APPROVED BY: [Signature]	RELEASED FOR CONSTRUCTION BY: [Signature]	CITY DRAWING NUMBER
	HOR. SCALE: 1:1000 VERTICAL SCALE:				DATE: 2005/03/22		DEWATERING WELL SITE PLAN & DETAILS
A ISSUED FOR BID 05/07/07		DATE: July 11 - 2005		CONSULTANT DRAWING NO. CM G003	CITY DRAWING NUMBER		