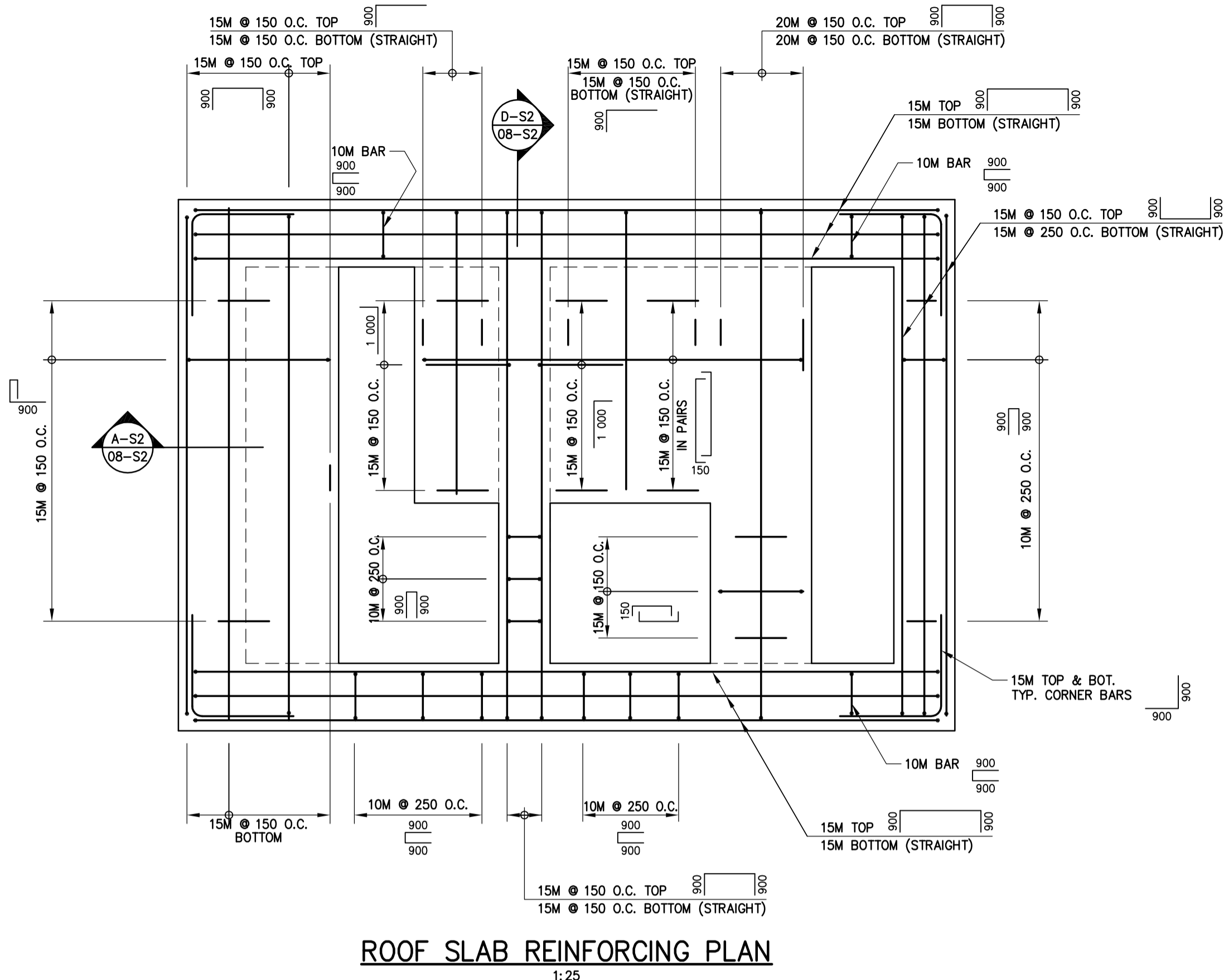
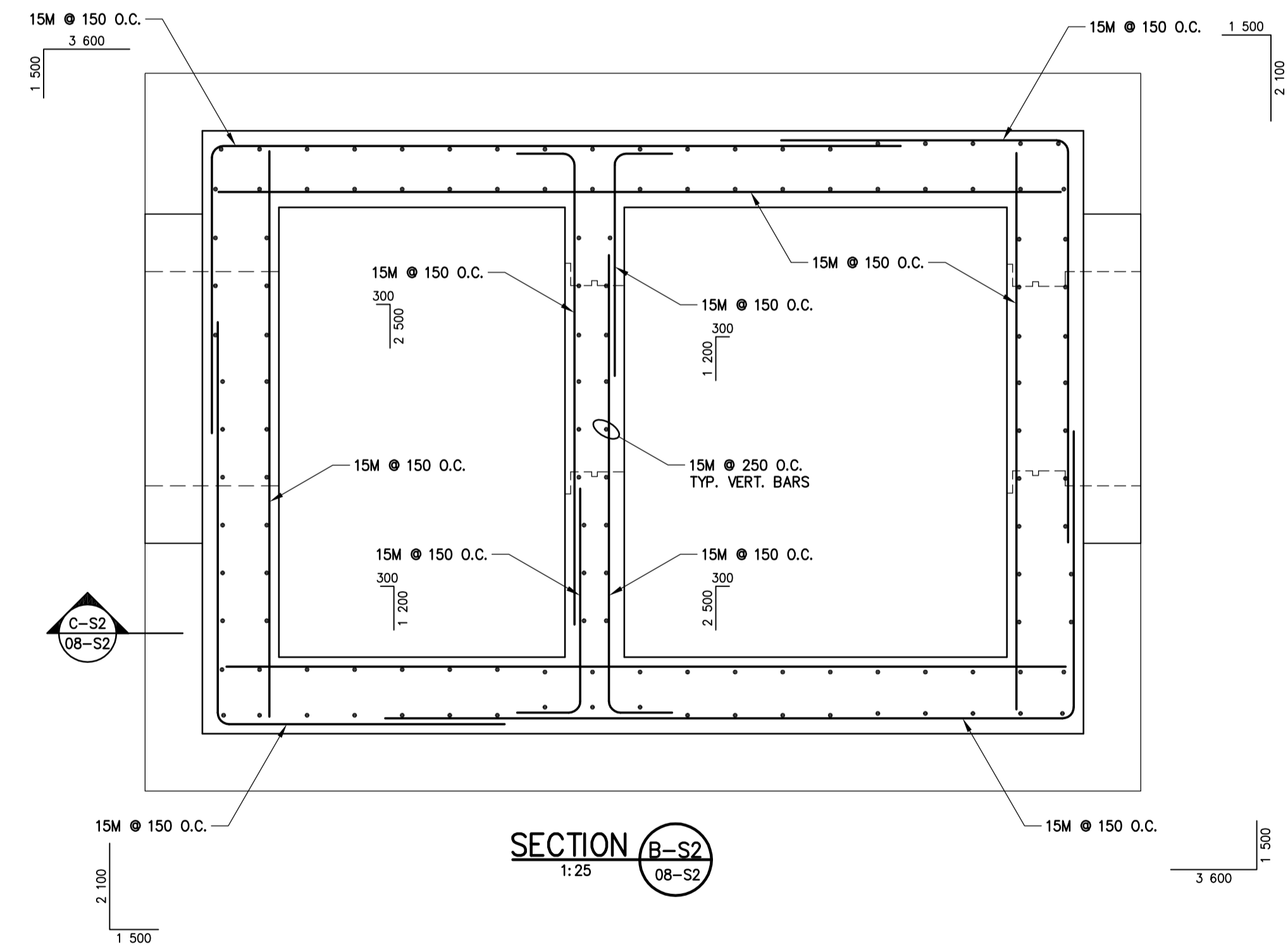


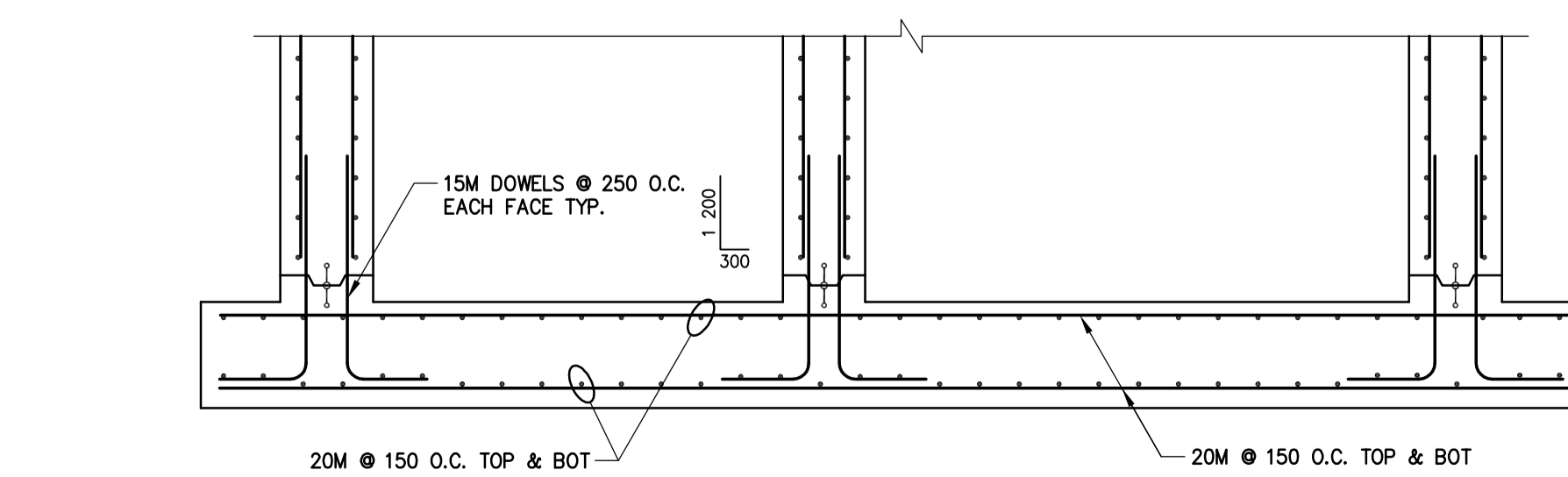
Aug 11, 2005 - 4:57pm  
 P:\41400 - 41498\41479 2005 Outfall Gate Chamber Upgrades\Drawings\Reinforcing - St. Conc. & SZ Rein.dwg - tab:Le Maire - Reinforcing



**ROOF SLAB REINFORCING PLAN**  
1:25

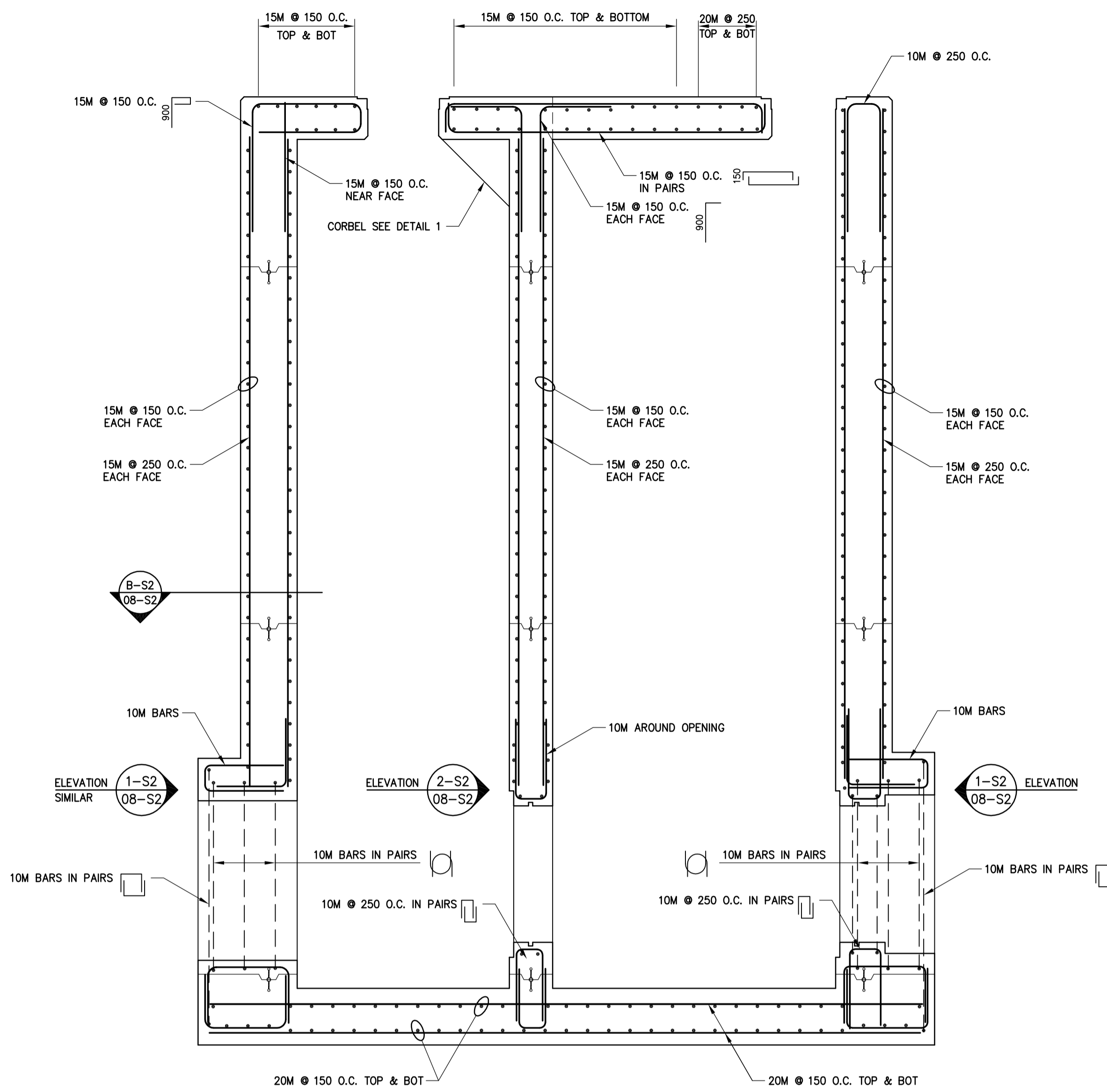


**SECTION B-S2**  
1:25

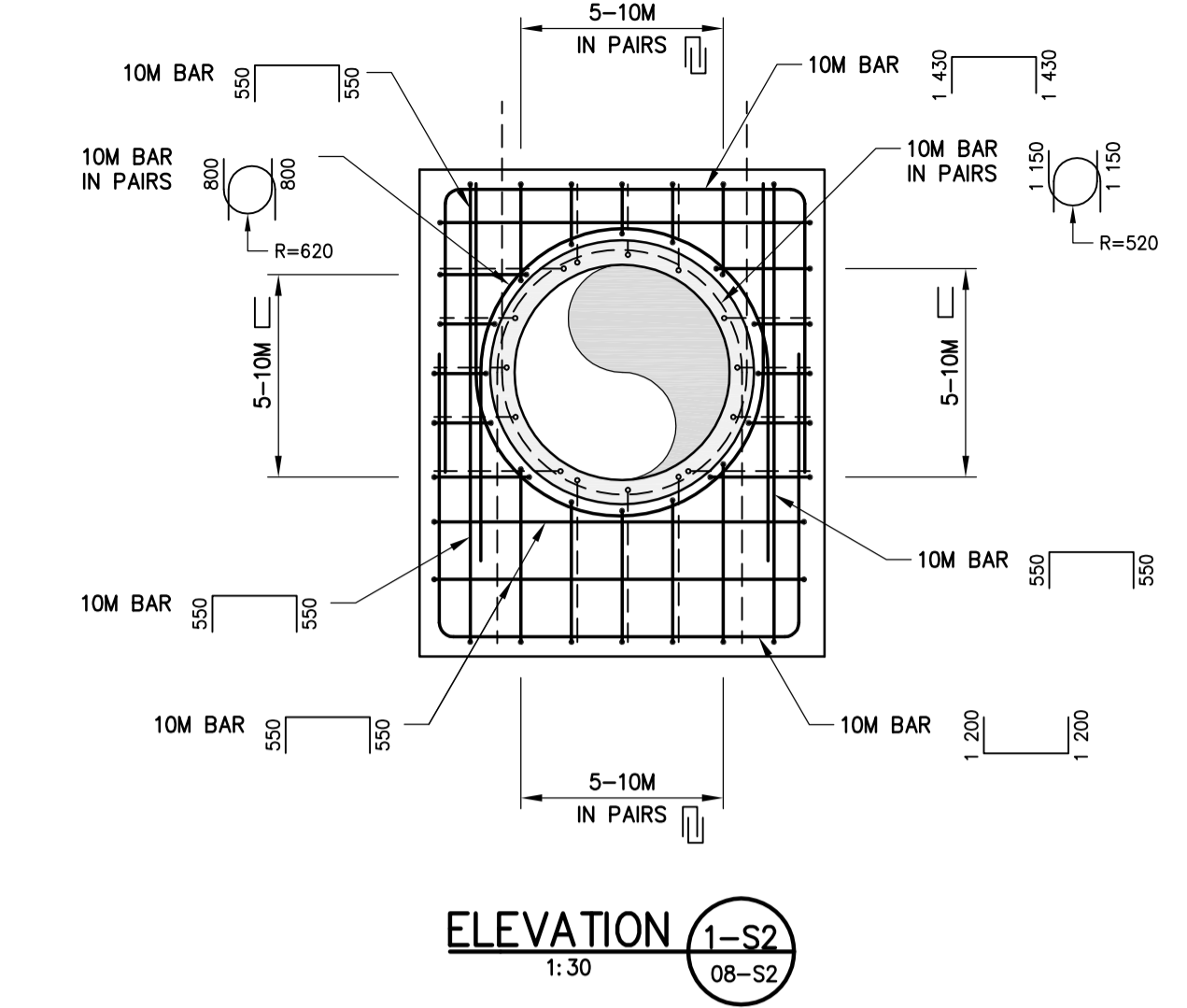


**SECTION C-S2**  
1:25

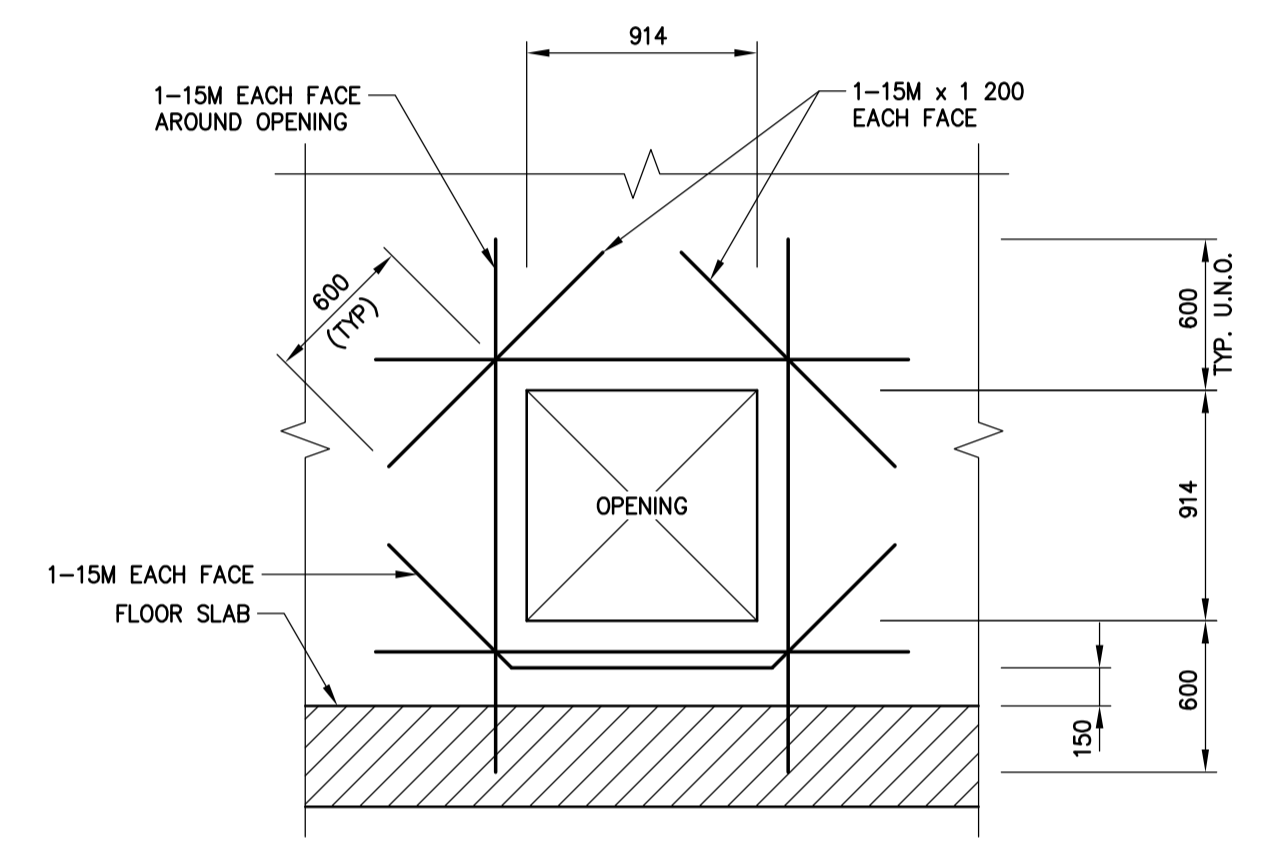
NOTE:  
 These design documents are prepared solely for the use by the party with whom the design professional has entered into a contract and there are no representations of any kind made by the design professional to any party with whom the design professional has not entered into a contract.



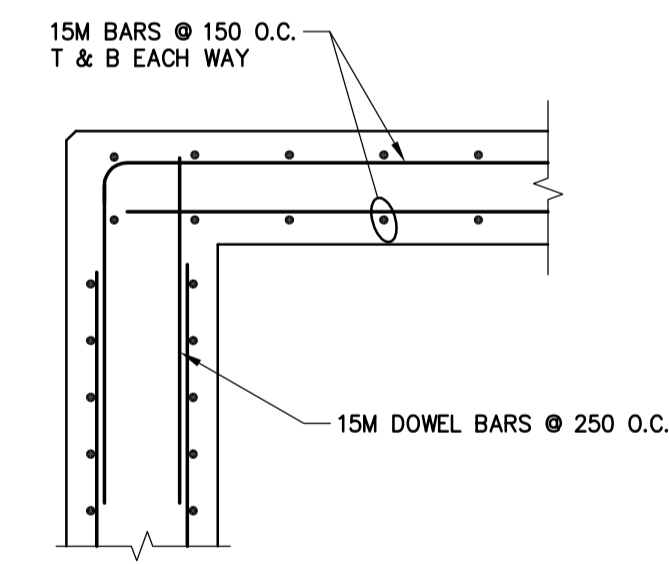
**SECTION A-S2**  
(THROUGH Q OF PIPE)  
1:25



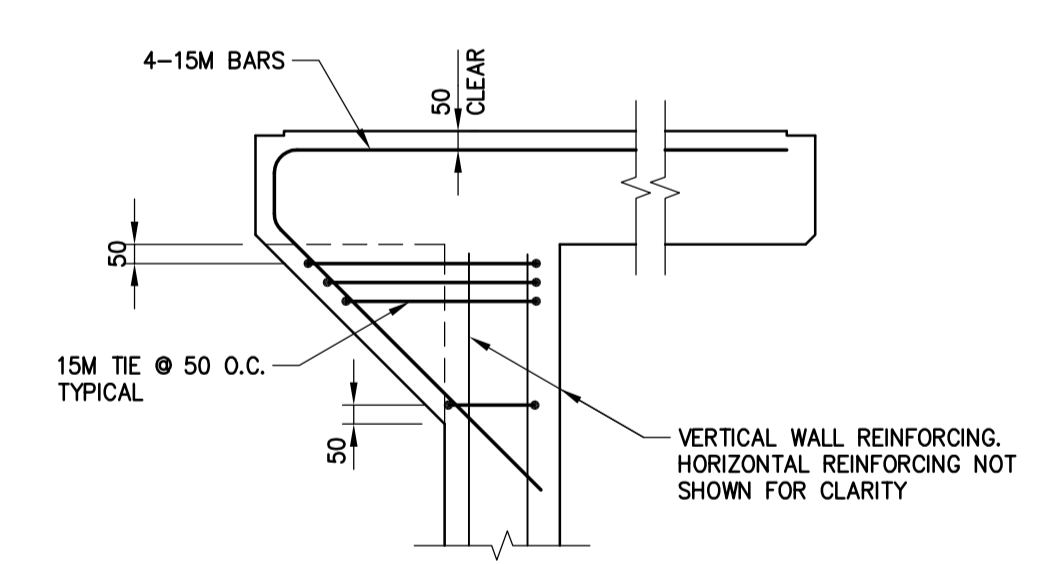
**ELEVATION 1-S2**  
1:30



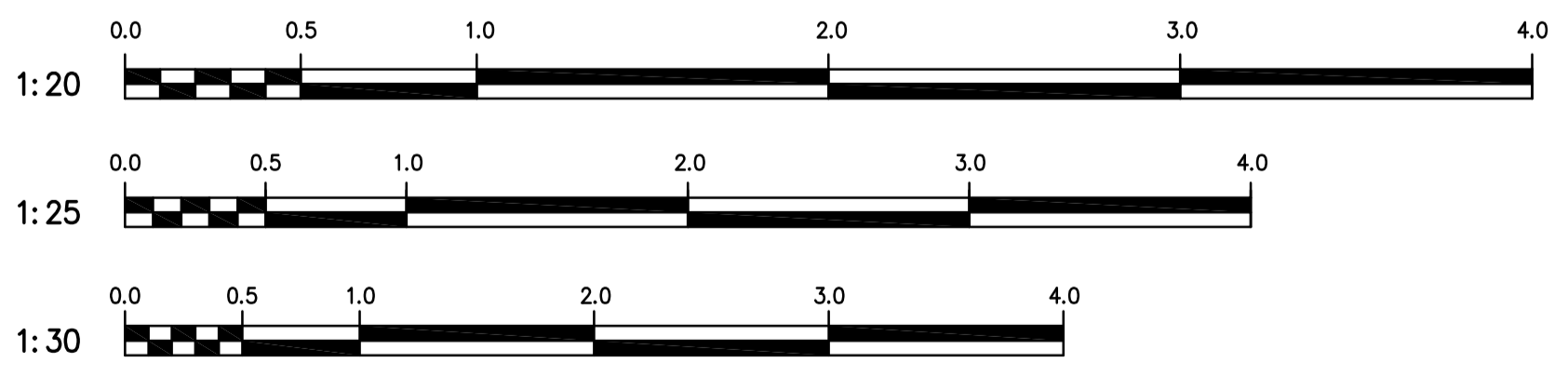
**ELEVATION 2-S2**  
1:30



**SECTION D-S2**  
1:20



**DETAIL 1-S2**  
1:20



A-B  
 C  
 A = DETAIL/SECTION No.  
 B = DRAWING WHERE SHOWN  
 C = DRAWING WHERE TAKEN

**METRIC**  
 WHOLE NUMBERS INDICATE MILLIMETRES  
 DECIMALIZED NUMBERS INDICATE METRES

<b>ND LEA Engineers &amp; Planners Inc.</b> Suite 111-93 Lombard Avenue Winnipeg, Manitoba R3B 3B1 Phone (204) 943-3178 Facsimile (204) 943-4948		ENGINEER'S SEAL 
DESIGNED BY: MH	CHECKED BY: JPL	BID OPPORTUNITY 490-2005 PLOT DATE: 05 08 11
DRAWN BY: CDP	APPROVED BY: -	
HOR. SCALE: AS SHOWN	RELEASED FOR CONSTRUCTION	
NO. REVISIONS	DATE	BY
1	05 06 02	

**THE CITY OF WINNIPEG**  
 WATER AND WASTE DEPARTMENT

2005 OUTFALL GATE CHAMBER UPGRADES  
**RUE LE MAIRE**  
 LDS OUTFALL GATE CHAMBER  
 REINFORCING DETAILS

CONSULTANT DRAWING NUMBER: 41479-08-S2  
 SHEET: 3 OF 16  
 CITY DRAWING NUMBER: LD-3140