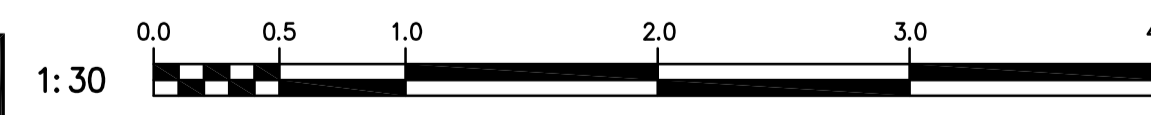
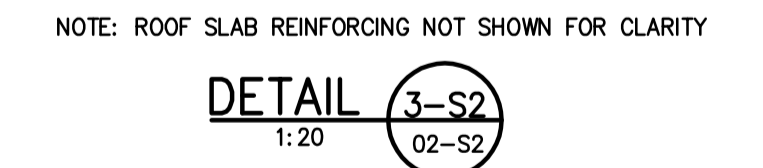
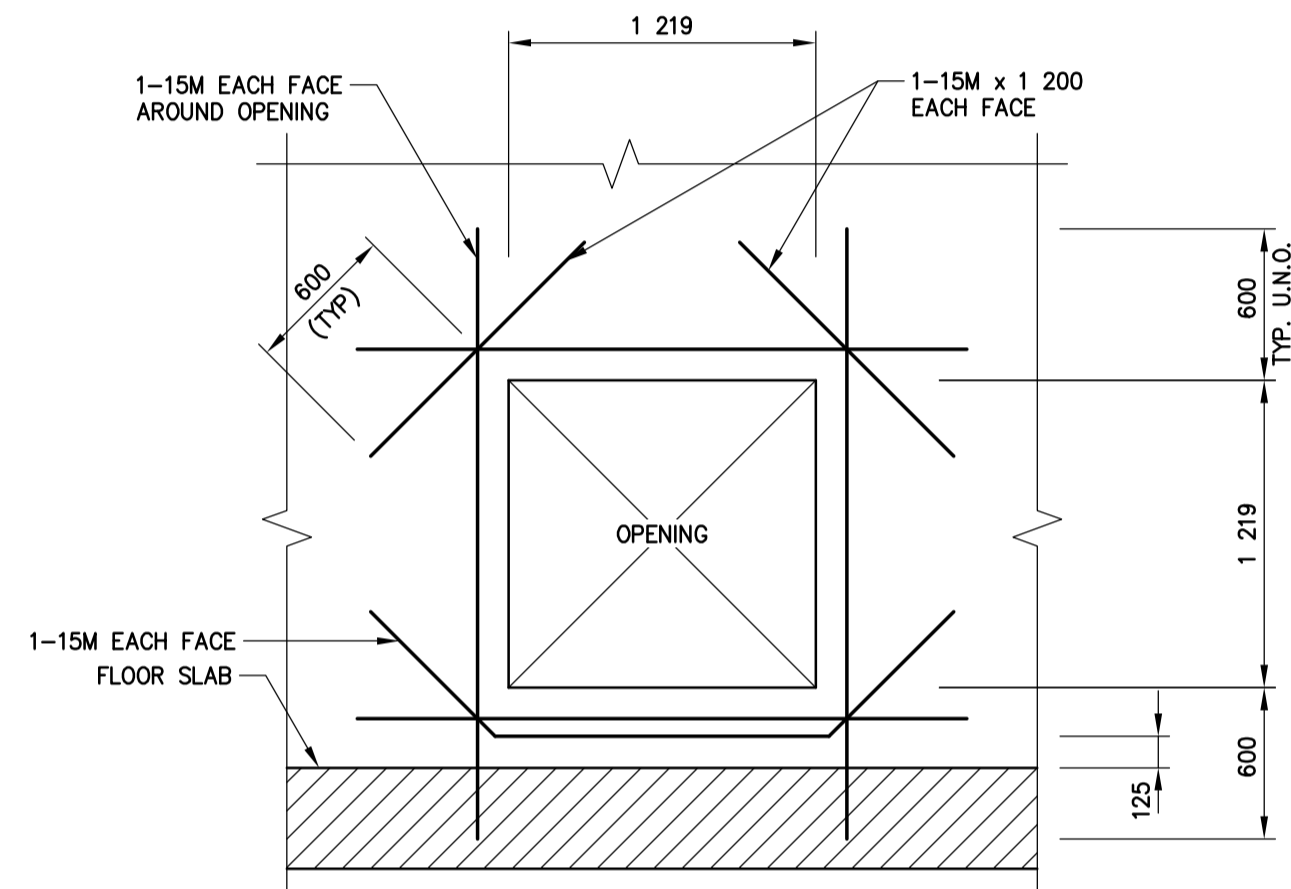
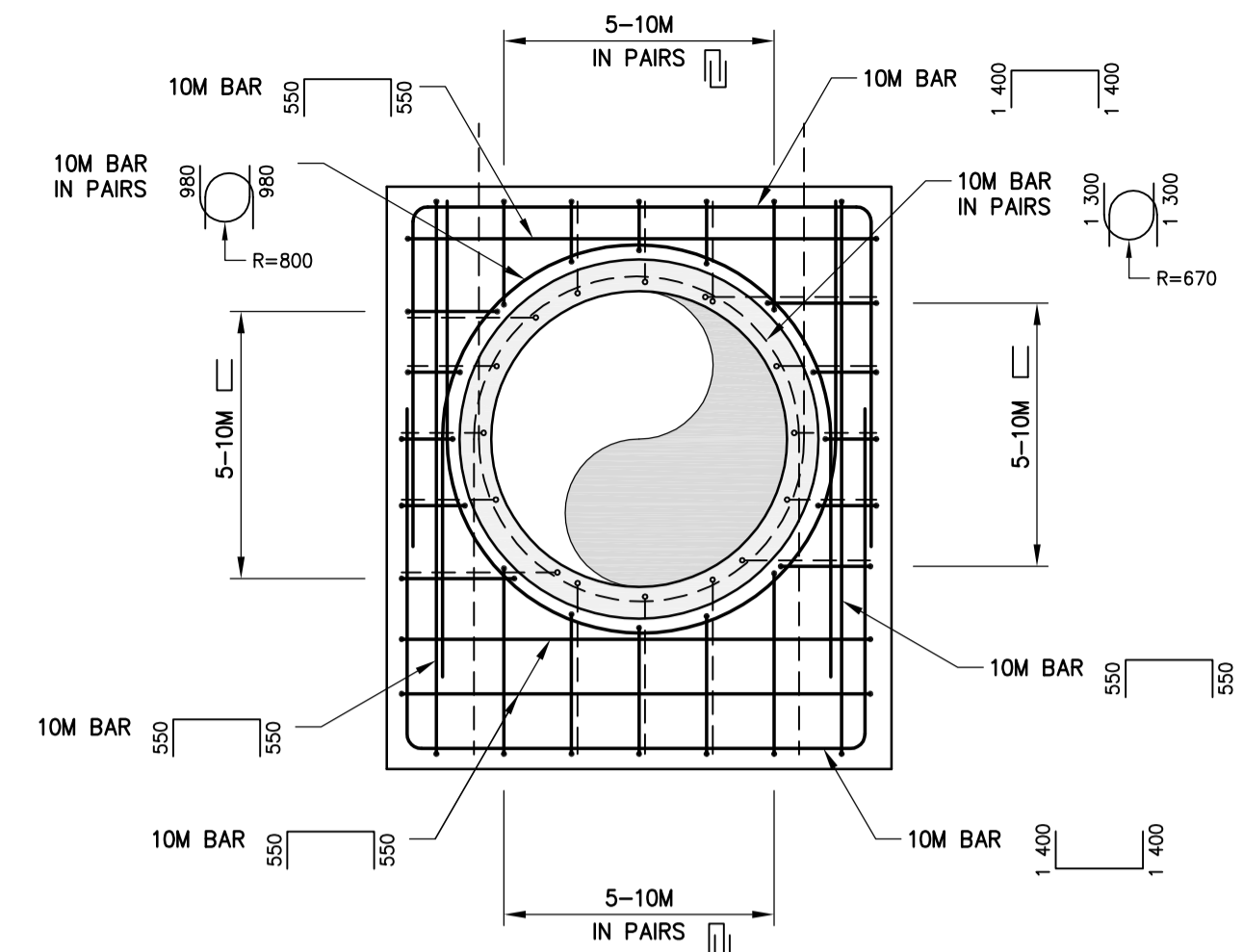
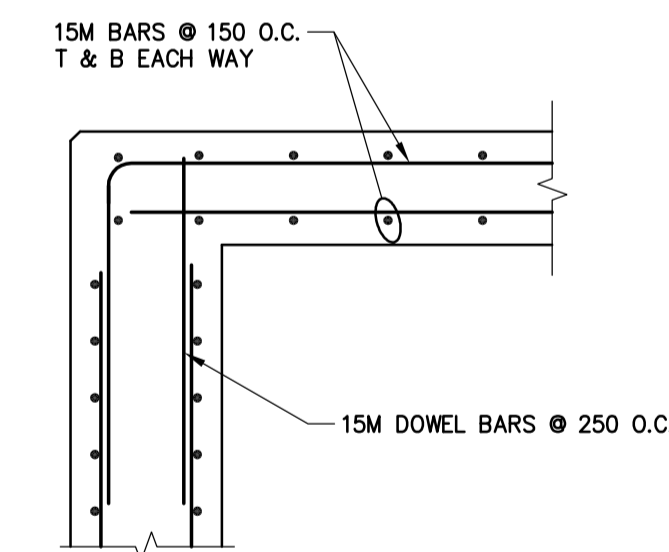
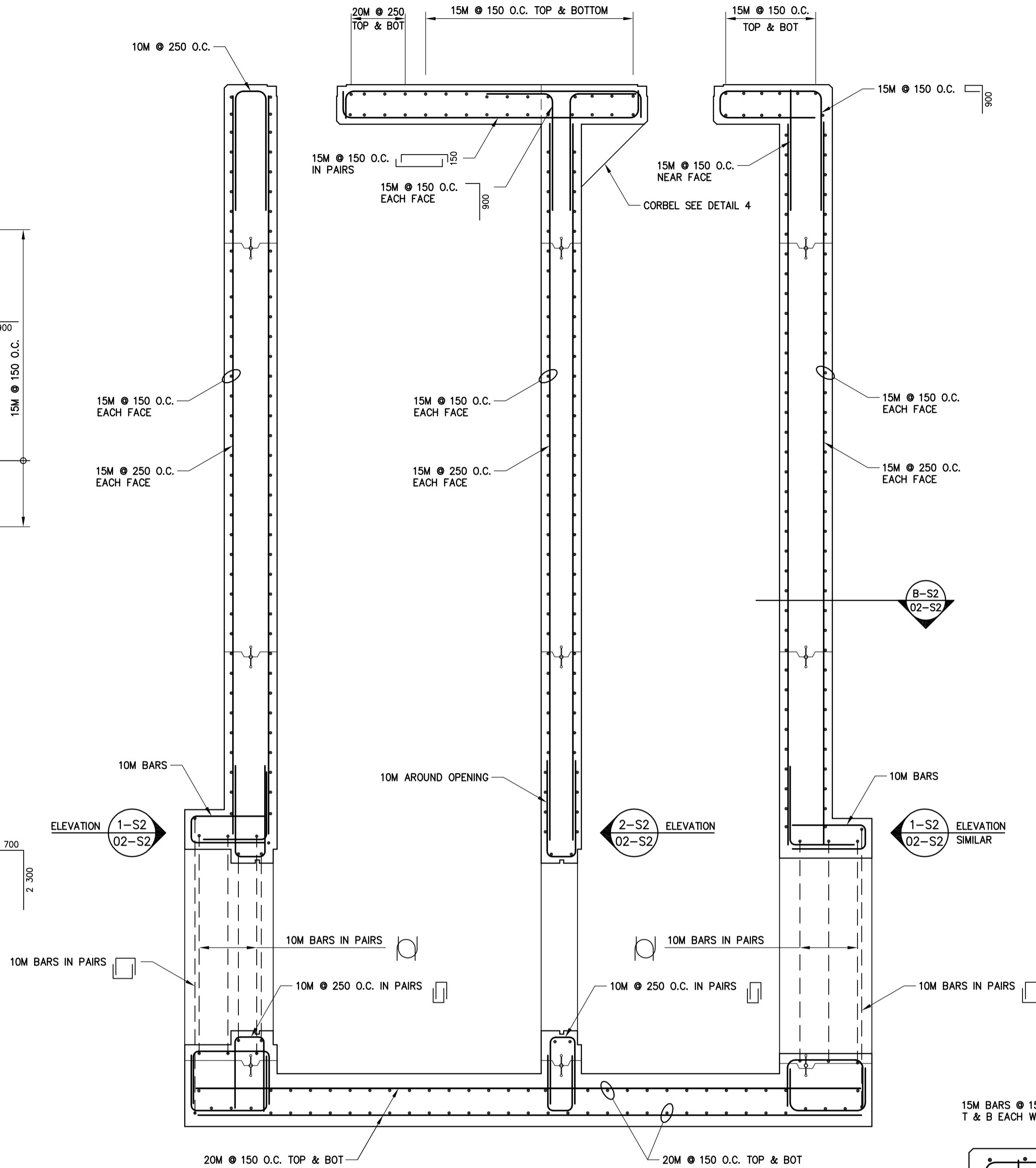
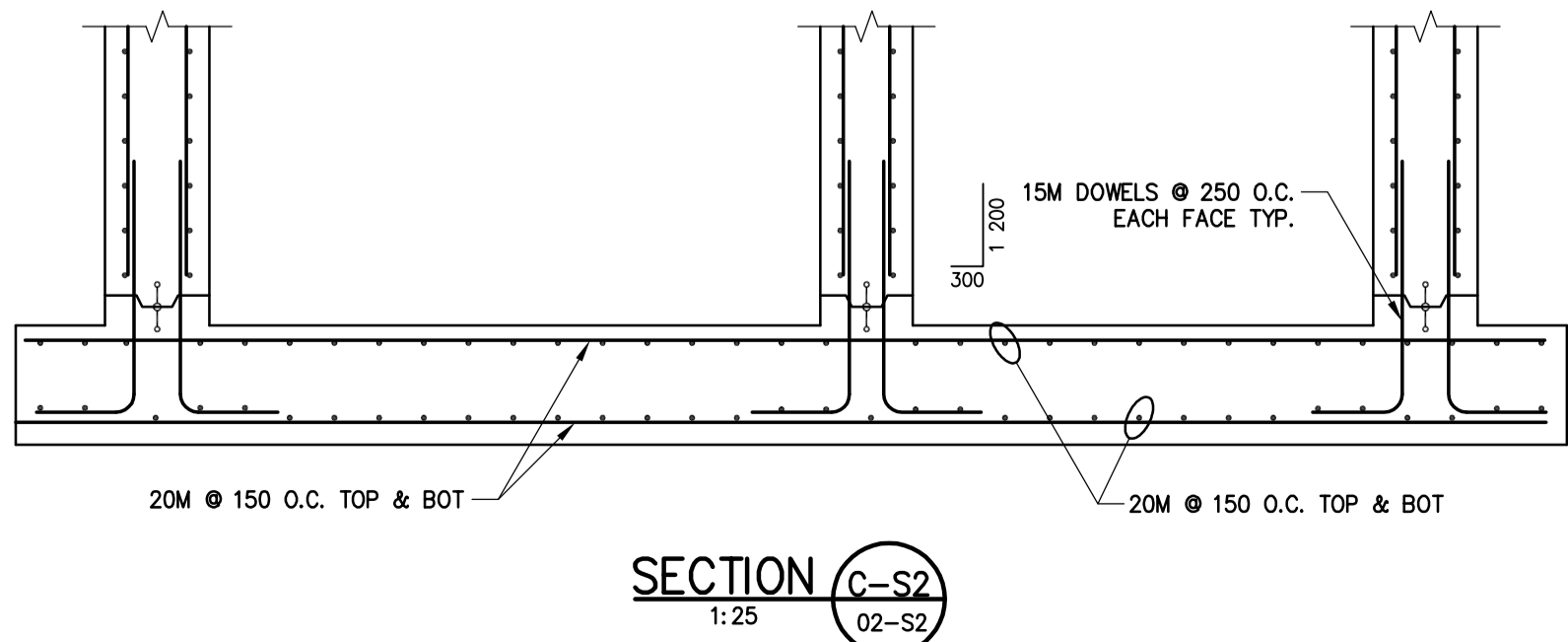
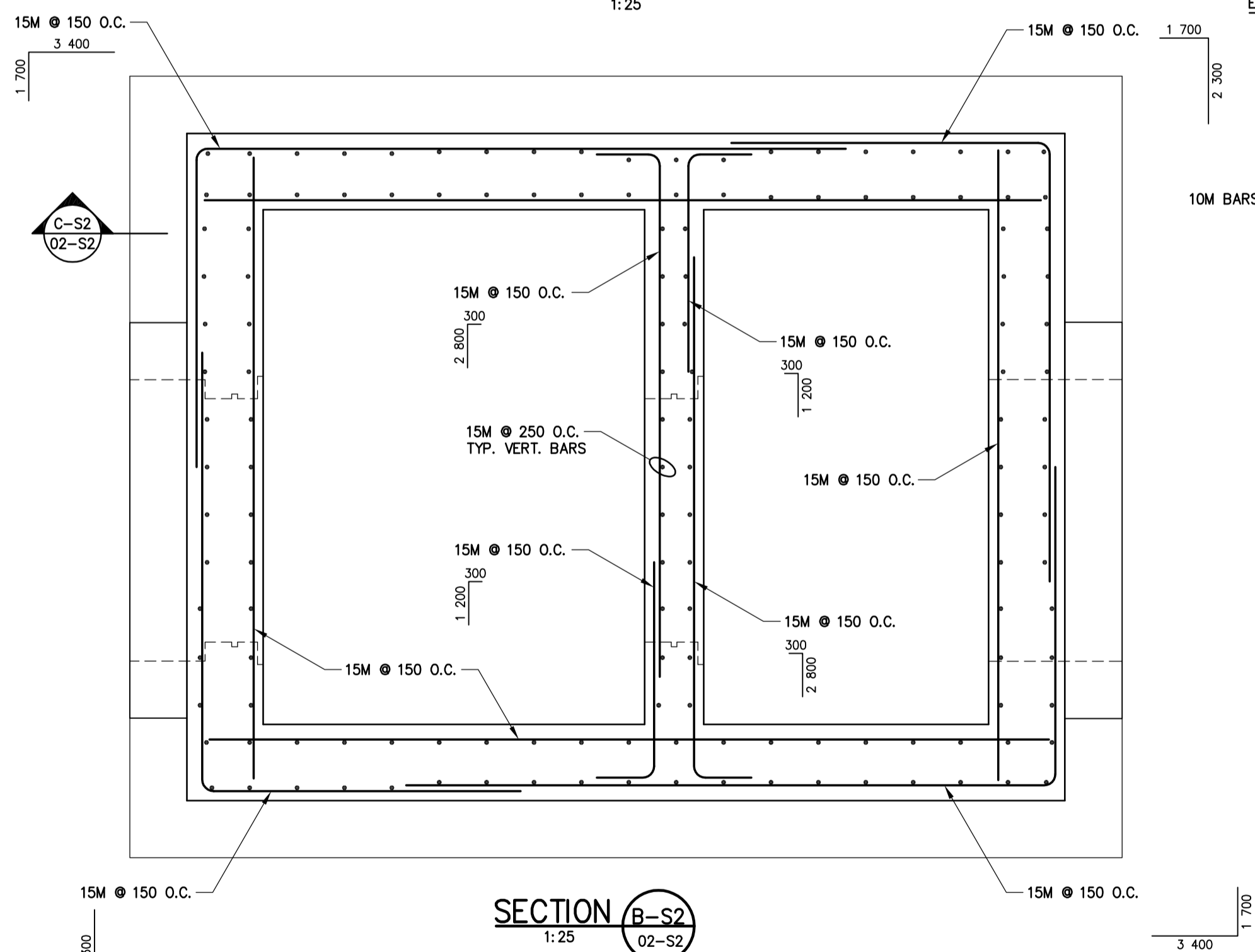
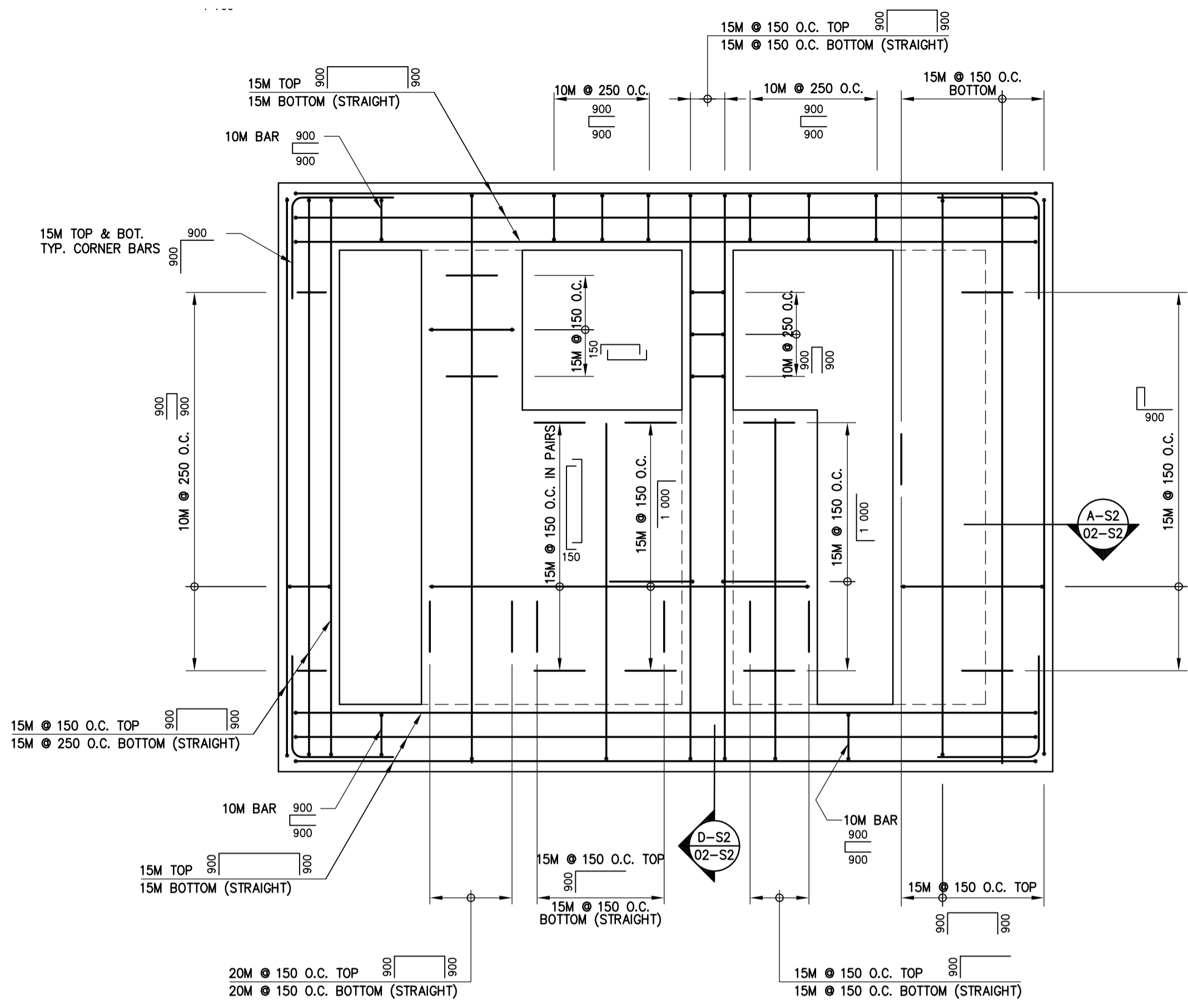


Aug 11, 2005 - 4:58pm
 P:\41400 - 41499\41479 2005 Outfall Gate Chamber Upgrades\Drawings\Notes\Notes - Reinforcing
 S1 Conc. & SZ Reinf.dwg - Note - Reinforcing



APEGN
 Certificate of Authorization
 ND LEA Engineers & Planners Inc.
 No. 2728 Expiry: April 30, 2006

NOTE:
 These design documents are prepared solely for the use by the party with whom the design professional has entered into a contract and there are no representations of any kind made by the design professional to any party with whom the design professional has not entered into a contract.

ND LEA Engineers & Planners Inc. Suite 111-93 Lombard Avenue Winnipeg, Manitoba R3B 3B1 Phone (204) 943-3178 Facsimile (204) 943-4948		ENGINEER'S SEAL M. H. J. L. REGISTERED PROFESSIONAL ENGINEER		
DESIGNED BY: MH	CHECKED BY: JPL	THE CITY OF WINNIPEG WATER AND WASTE DEPARTMENT 2005 OUTFALL GATE CHAMBER UPGRADES RUE NOTRE DAME LDS OUTFALL GATE CHAMBER REINFORCING DETAILS		
DRAWN BY: CDP	APPROVED BY: -			
HOR. SCALE: AS SHOWN	RELEASED FOR CONSTRUCTION			
NO. REVISIONS	DATE	BY	DATE 05 06 07	DATE

BID OPPORTUNITY 490-2005
 PLOT DATE: 05 08 11

A = DETAIL/SECTION No.
 B = DRAWING WHERE SHOWN
 C = DRAWING WHERE TAKEN

METRIC
 WHOLE NUMBERS INDICATE MILLIMETRES
 DECIMALIZED NUMBERS INDICATE METRES

CONSULTANT DRAWING NUMBER
41479-02-S2
 SHEET 6 OF 16
 CITY DRAWING NUMBER
LD-3143