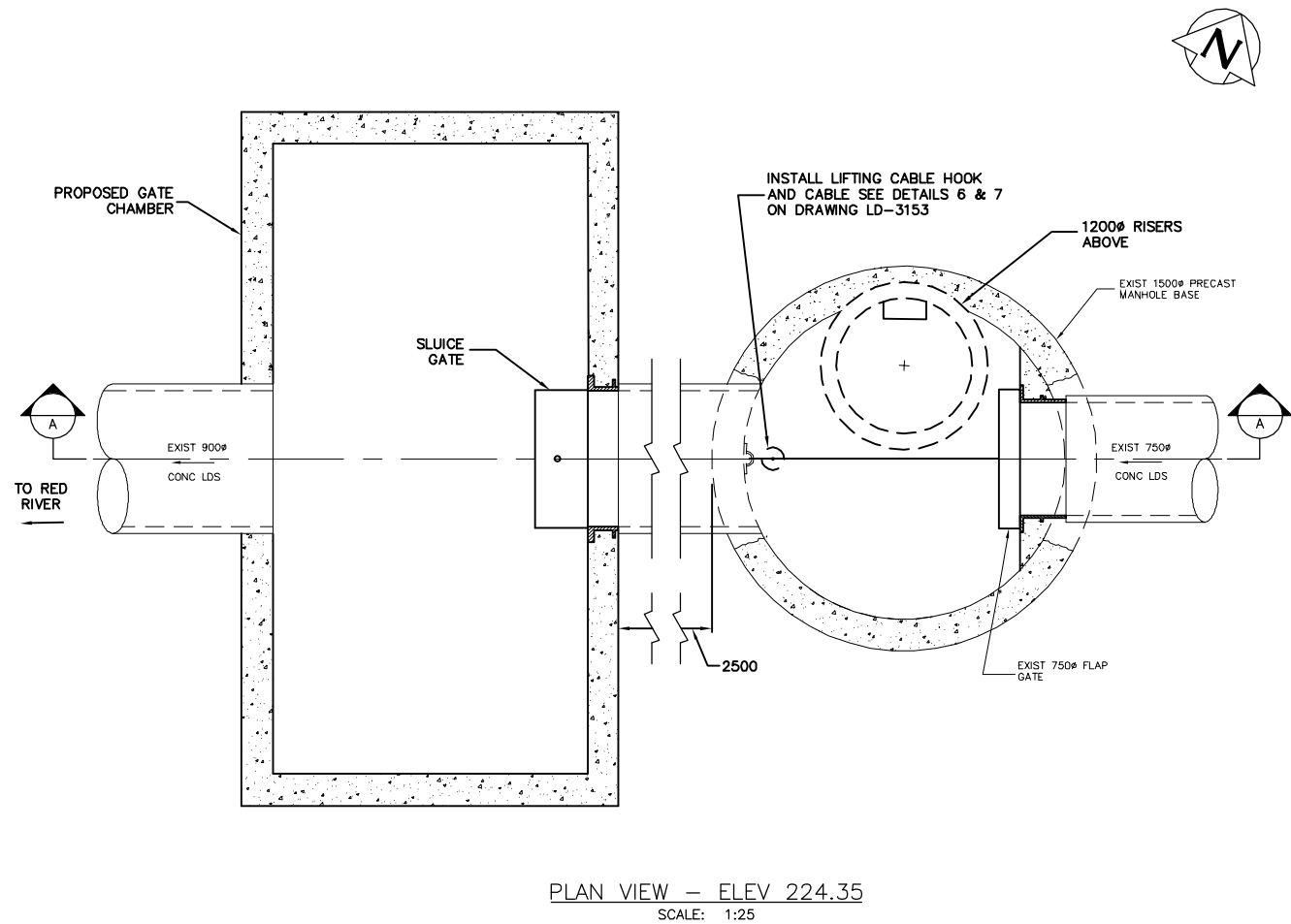


A SECTION  
1:25



NOTES:

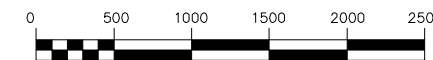
1. CHAMBER LOCATION AND SEWER DETAILS ARE SHOWN ON DRAWING NO. LD-3144.

FLOOD PROTECTION LEVEL = 229.42  
300 YEAR FLOOD ELEV. = 230.64

METRIC  
WHOLE NUMBERS INDICATE MILLIMETRES  
DECIMALIZED NUMBERS INDICATE METRES

WARNING

- IF POWER EQUIPMENT OR EXPLOSIVES ARE TO BE USED FOR EXCAVATION ON THIS PROJECT THE CONTRACTOR MUST:
- 1) NOTIFY THE GAS COMPANY OF THE PROPOSED LOCATION OF EXCAVATION.
  - 2) TAKE PRECAUTION TO AVOID DAMAGE TO GAS COMPANY INSTALLATIONS.
- SEE PROVINCIAL REGULATION 210/72 FOR DETAILS



B.M. ELEV.	FIELD BOOK #:	<b>CITY OF WINNIPEG</b> <b>WATER AND WASTE</b> <b>ENGINEERING DIVISION</b>		ENGINEER'S SEAL	<b>THE CITY OF WINNIPEG</b> WATER AND WASTE DEPARTMENT	2005 OUTFALL GATE CHAMBER UPGRADES SHEET 8 OF 16 CITY DRAWING NUMBER <b>LD-3145</b>
POSTED TO LBIS				ORIGINAL SIGNED BY K.R. ZUREK 05/08/12		
		DESIGNED BY DGS	CHECKED BY TW	BID OPPORTUNITY: 490-2005 FILENAME: LD-3145.DWG PLOT DATE: 2005 08 12	<b>ROWANDALE CRESCENT</b> LDS OUTFALL GATE CHAMBER MH DETAILS	
		DRAWN BY MJK/CJH	APPROVED BY KZ			
		HOR. SCALE AS VERTICAL SHOWN	RELEASED FOR CONSTRUCTION			
NO. REVISIONS	DATE BY	DATE	2005 08 12	DATE		