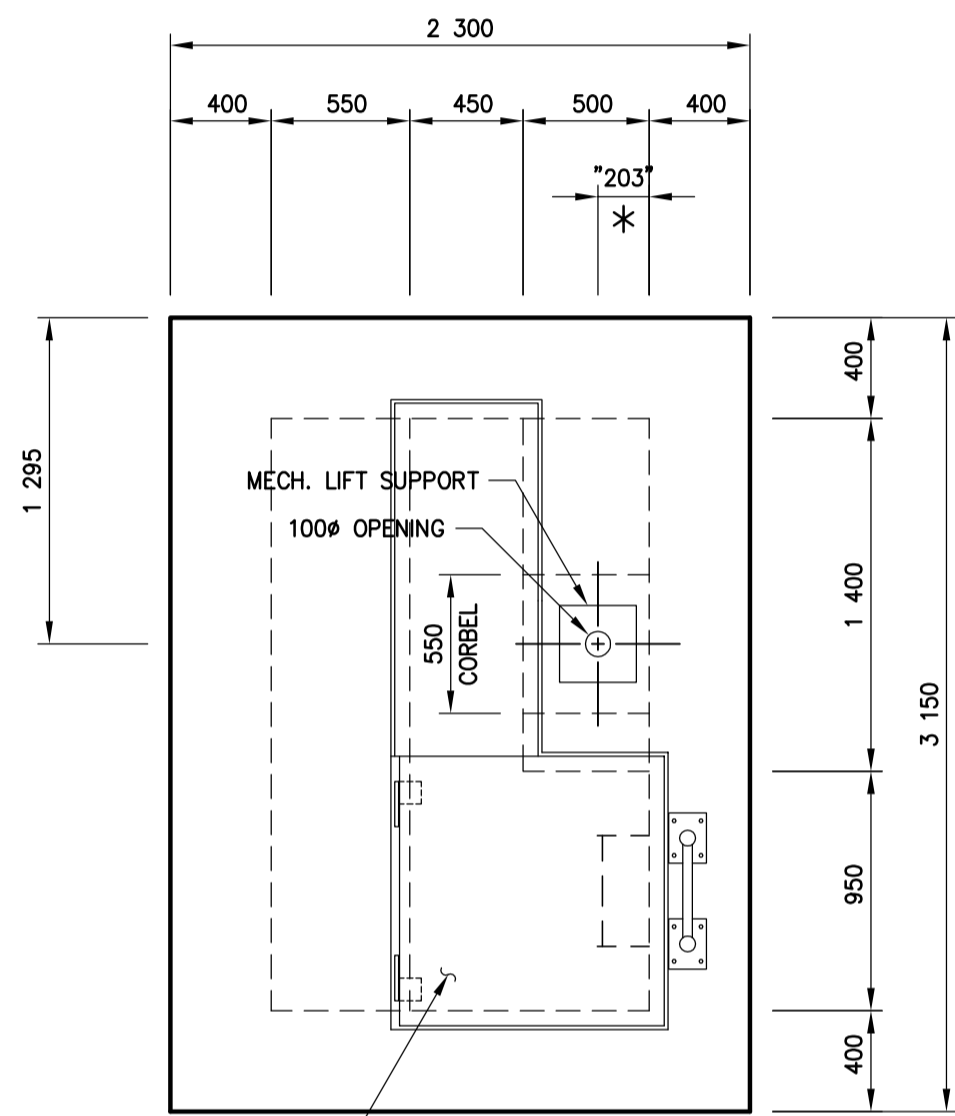
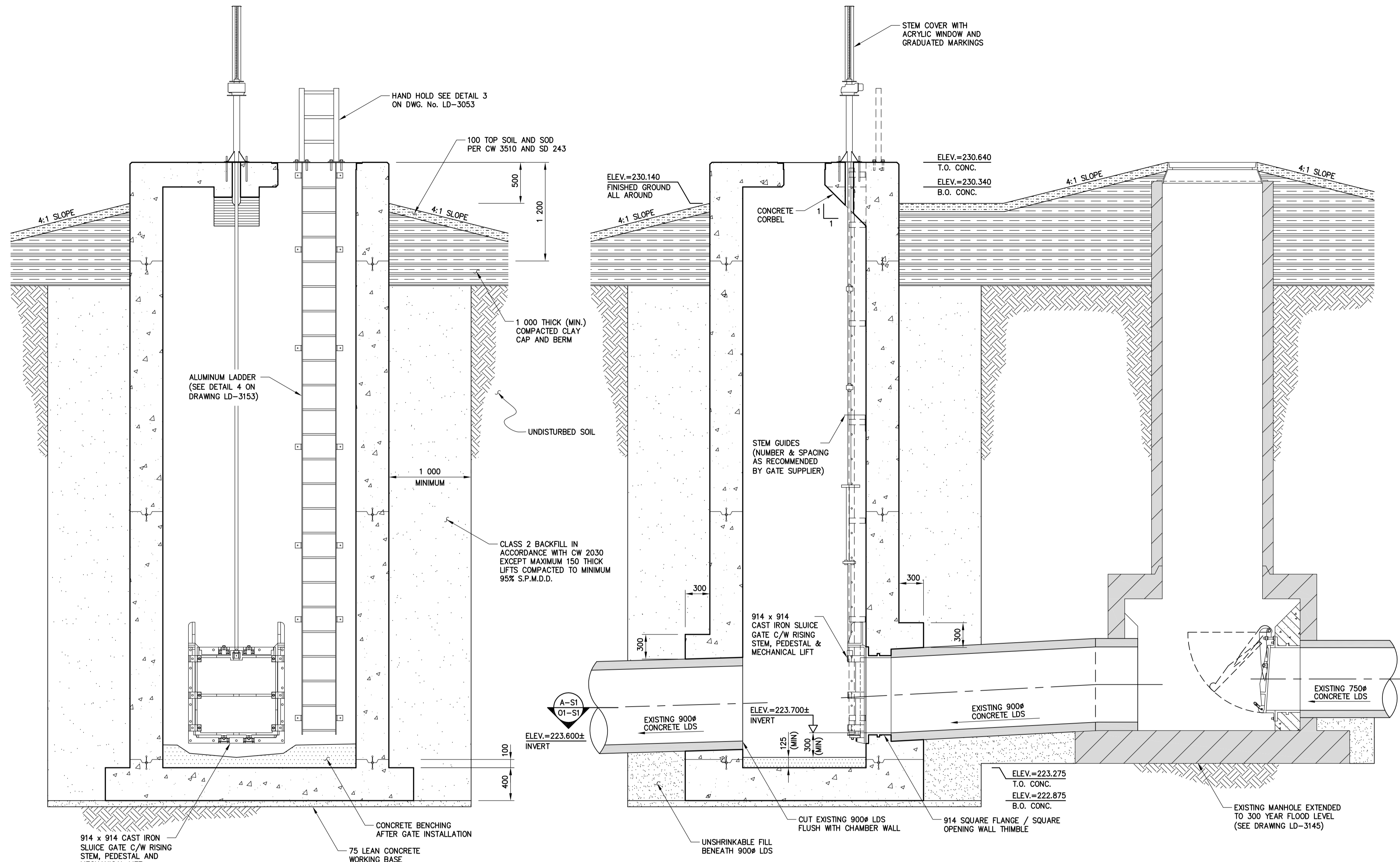


Aug 11, 2005 - 4:58pm P:\41400 - 41499\41479 2005 Outfall Gate Chamber Upgrades\Drawings\Notes Drawing\41479 01 Rowandale - S1 Conc. & S2 Reinf.dwg - Job Rowandale - Concrete

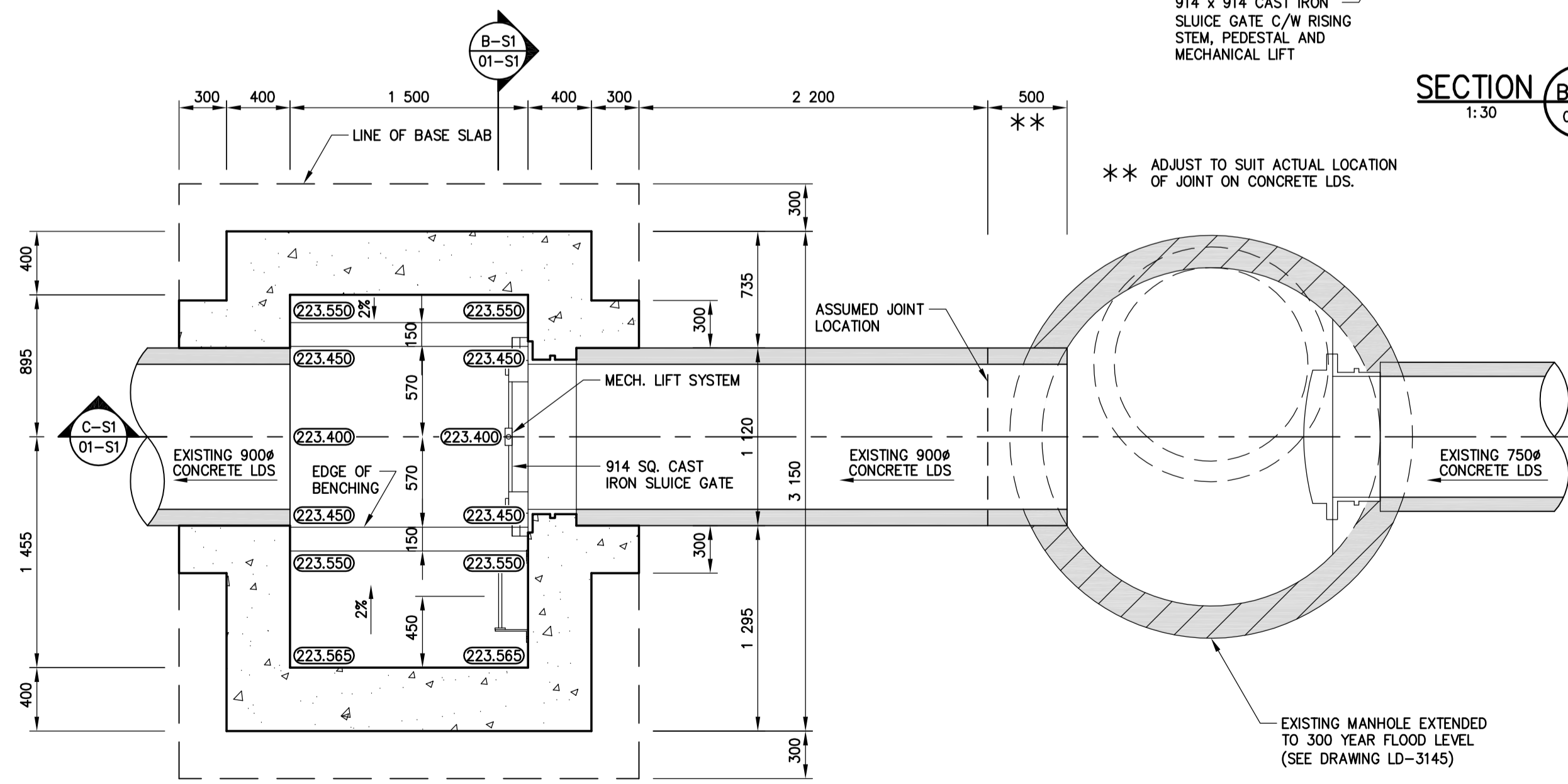


**PLAN**  
1:30  
\* DIMENSION MAY VARY BASED ON SLUICE GATE SUPPLIER



**SECTION B-S1**  
1:30

**SECTION C-S1**  
1:30



**SECTION A-S1**  
1:30

\*\* ADJUST TO SUIT ACTUAL LOCATION OF JOINT ON CONCRETE LDS.

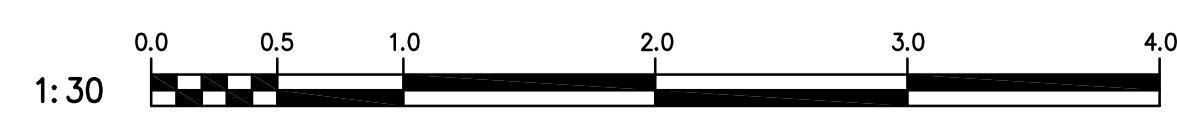
NOTE: CONTRACTOR SHALL CONFIRM ACTUAL PIPE INVERT AND NOTIFY CONTRACT ADMINISTRATOR OF ANY DISCREPANCY WITH THE INVERTS SHOWN. CONTRACTOR TO CONTACT CITY OF WINNIPEG, WATER AND WASTE DEPARTMENT, FOR CURRENT GROUNDWATER ELEVATION.

**APEGM**  
Certificate of Authorization  
ND LEA Engineers & Planners Inc.  
No. 2728 Expiry: April 30, 2006

NOTE: These design documents are prepared solely for the use by the party with whom the design professional has entered into a contract and there are no representations of any kind made by the design professional to any party with whom the design professional has not entered into a contract.

A-B = DETAIL/SECTION No.  
B = DRAWING WHERE SHOWN  
C = DRAWING WHERE TAKEN

**METRIC**  
WHOLE NUMBERS INDICATE MILLIMETRES  
DECIMALIZED NUMBERS INDICATE METRES



<b>ND LEA Engineers &amp; Planners Inc.</b> Suite 111-93 Lombard Avenue Winnipeg, Manitoba R3B 3B1 Phone (204) 943-3178 Facsimile (204) 943-4948	
DESIGNED BY: MH	CHECKED BY: JPL
DRAWN BY: CDP	APPROVED BY: -
HOR. SCALE: AS SHOWN	RELEASED FOR CONSTRUCTION: DATE 05 06 14
VERTICAL: AS SHOWN	DATE: -
NO. REVISIONS	DATE BY

ENGINEER'S SEAL  
M. A. B. M.A.S.T.  
250822  
REGISTERED PROFESSIONAL ENGINEER

**THE CITY OF WINNIPEG**  
WATER AND WASTE DEPARTMENT

2005 OUTFALL GATE CHAMBER UPGRADES  
**ROWANDALE CRESCENT**  
LDS OUTFALL GATE CHAMBER  
CONCRETE DETAILS

CONSULTANT DRAWING NUMBER: 41479-01-S1  
SHEET 9 OF 16  
CITY DRAWING NUMBER: LD-3146

BID OPPORTUNITY 490-2005  
PLOT DATE: 05 08 11