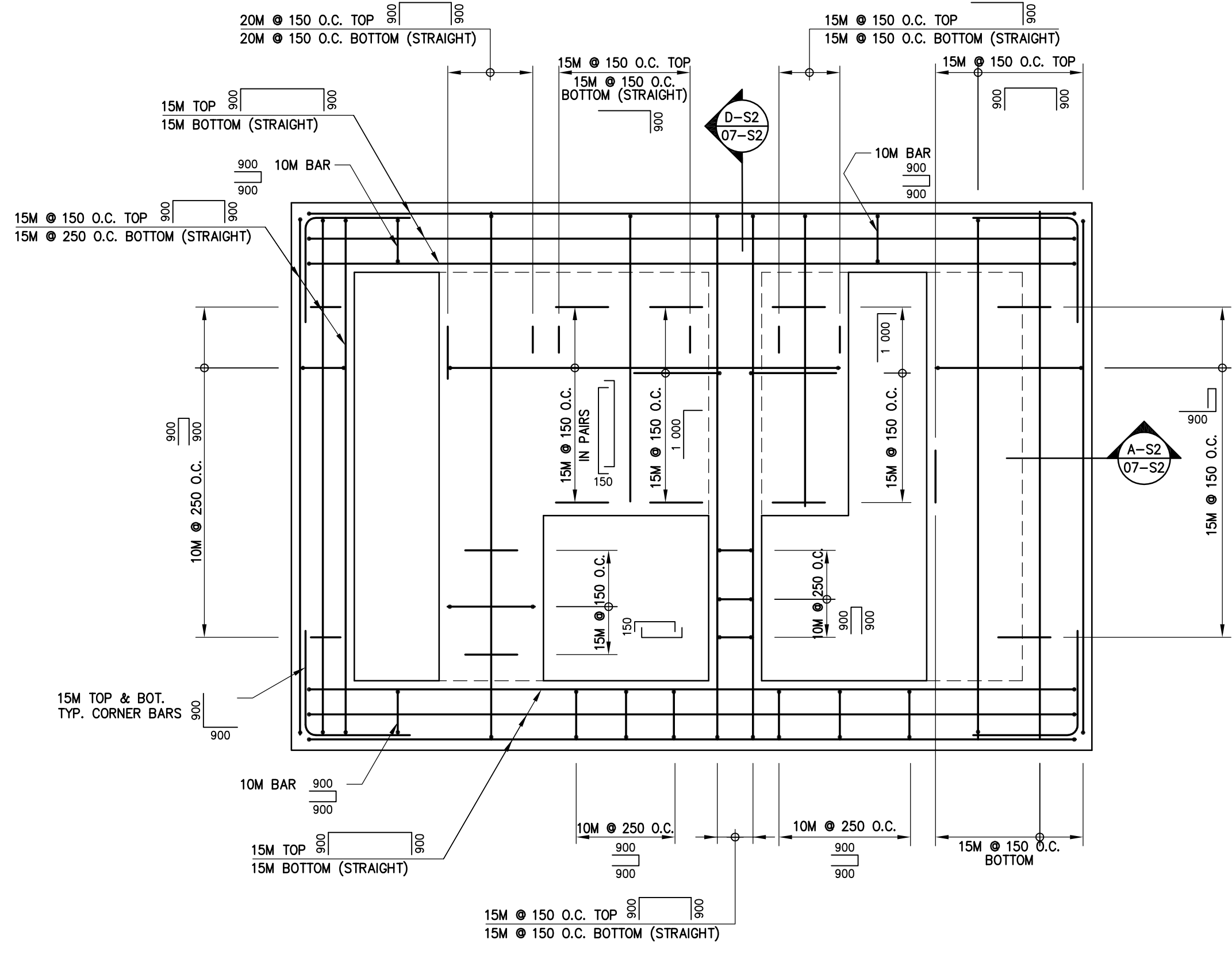
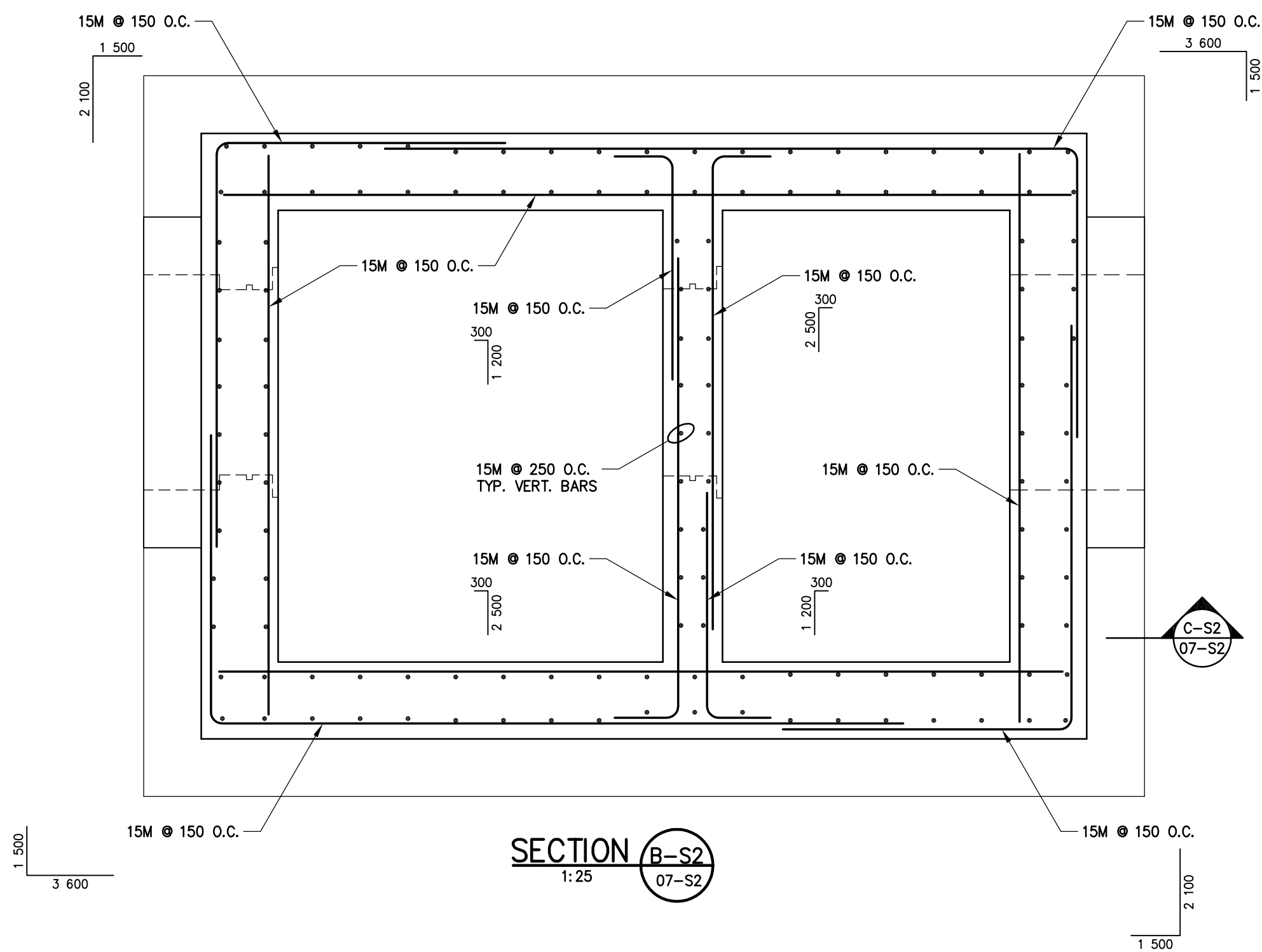


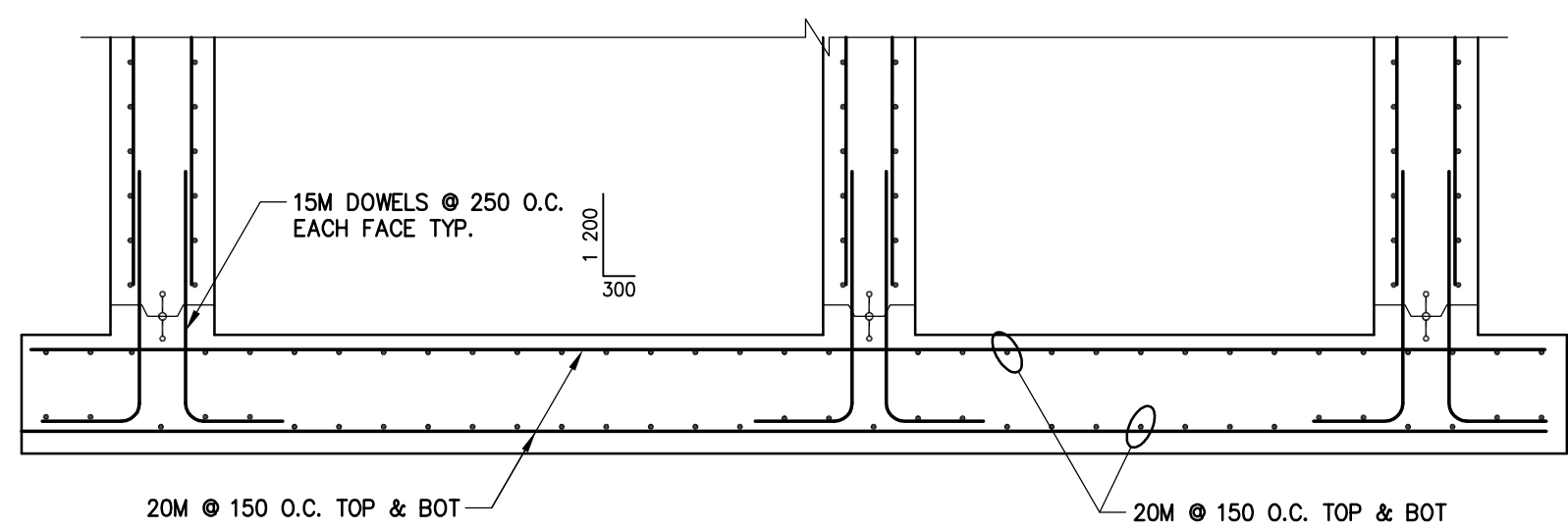
Aug 11, 2005 - 4:58pm  
 P: 41400 - 41498  
 2005 Outfall Gate Chamber Upgrades\Drawings\Notes Drawings\41479 07 Lemay - S1 Conc. & S2 Reinf.dwg - lib:Lemay - Reinforcing



**ROOF SLAB REINFORCING PLAN**  
 1:25

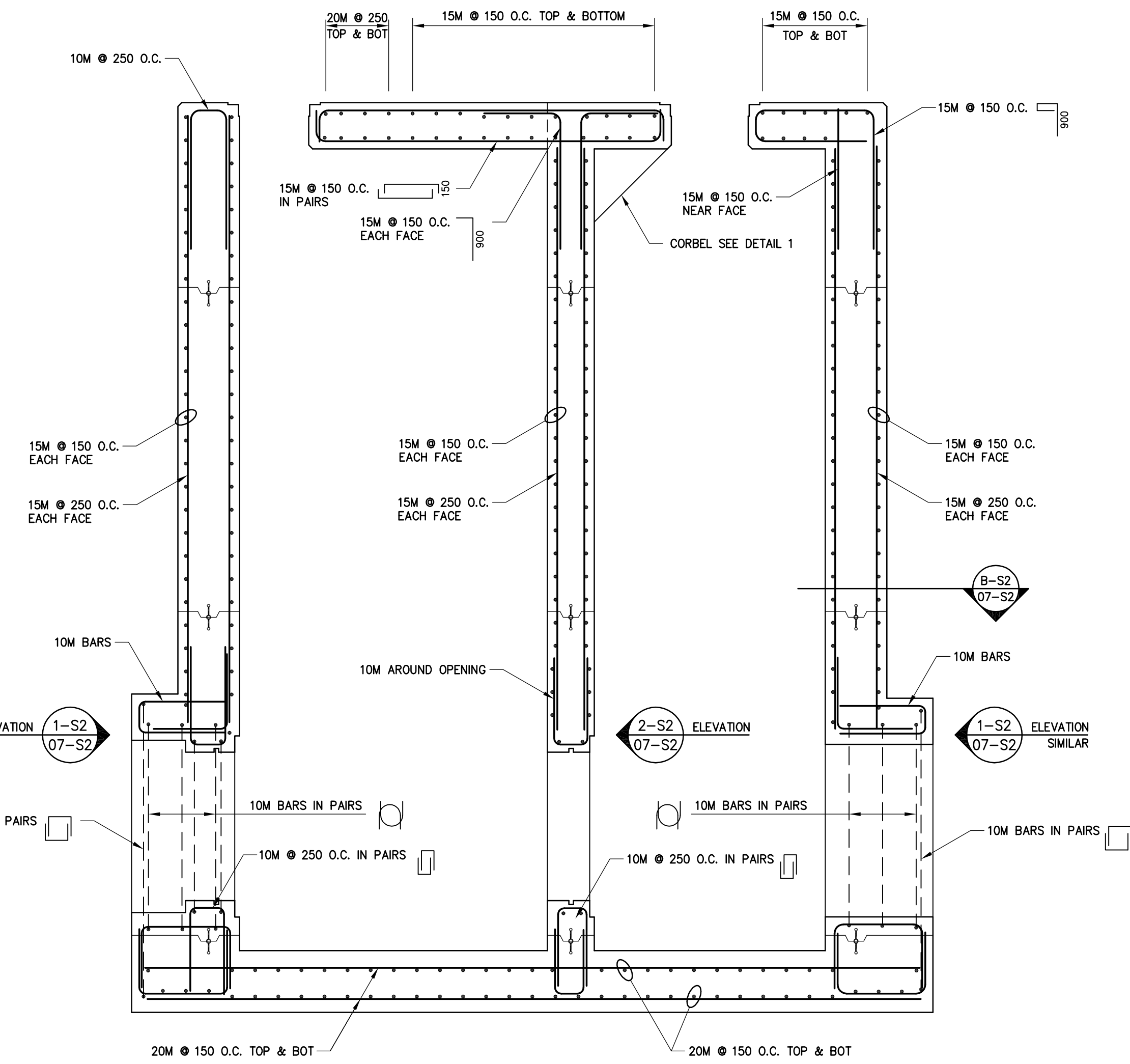


**SECTION (B-S2)**  
 1:25

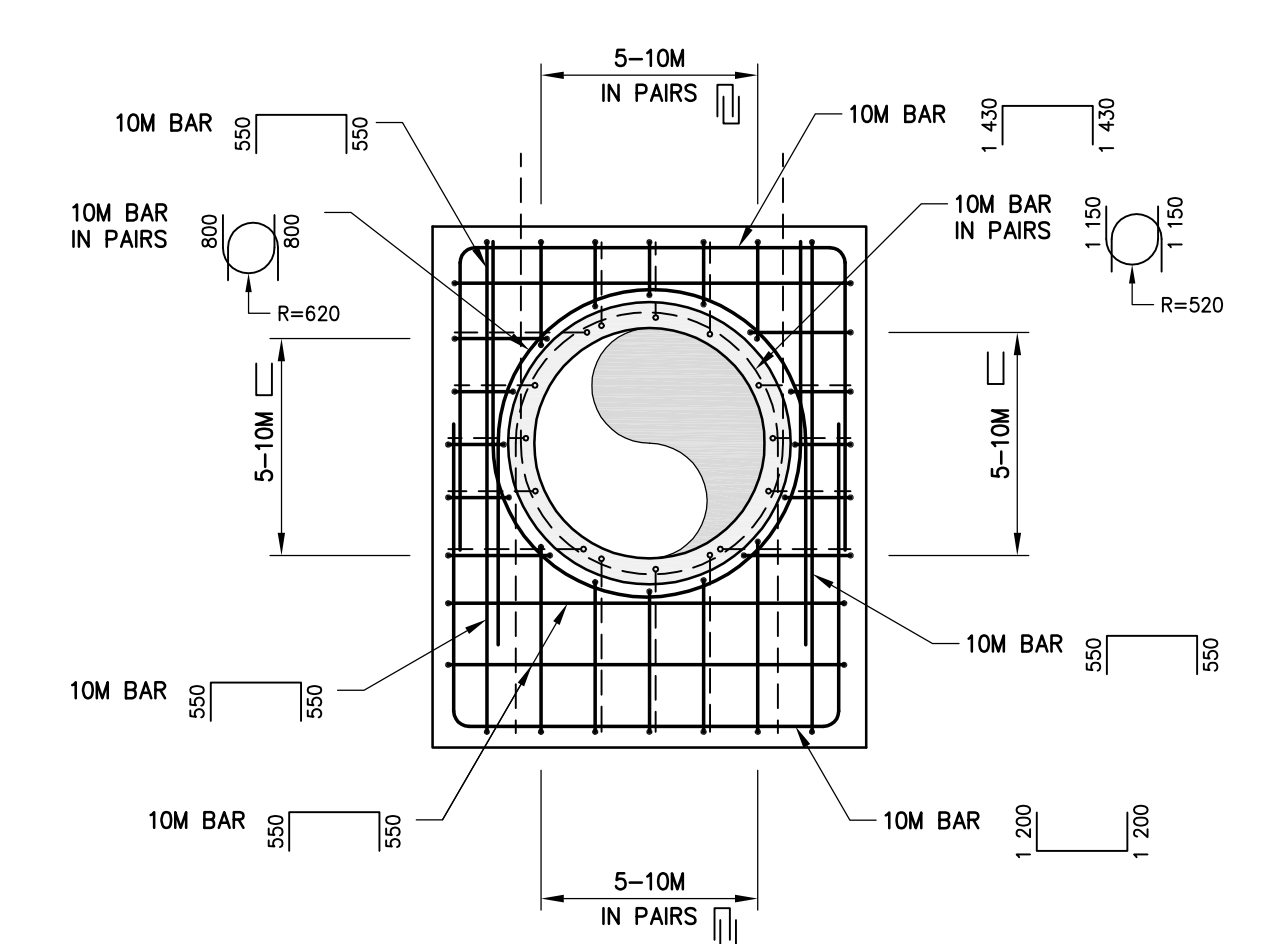


**SECTION (C-S2)**  
 1:25

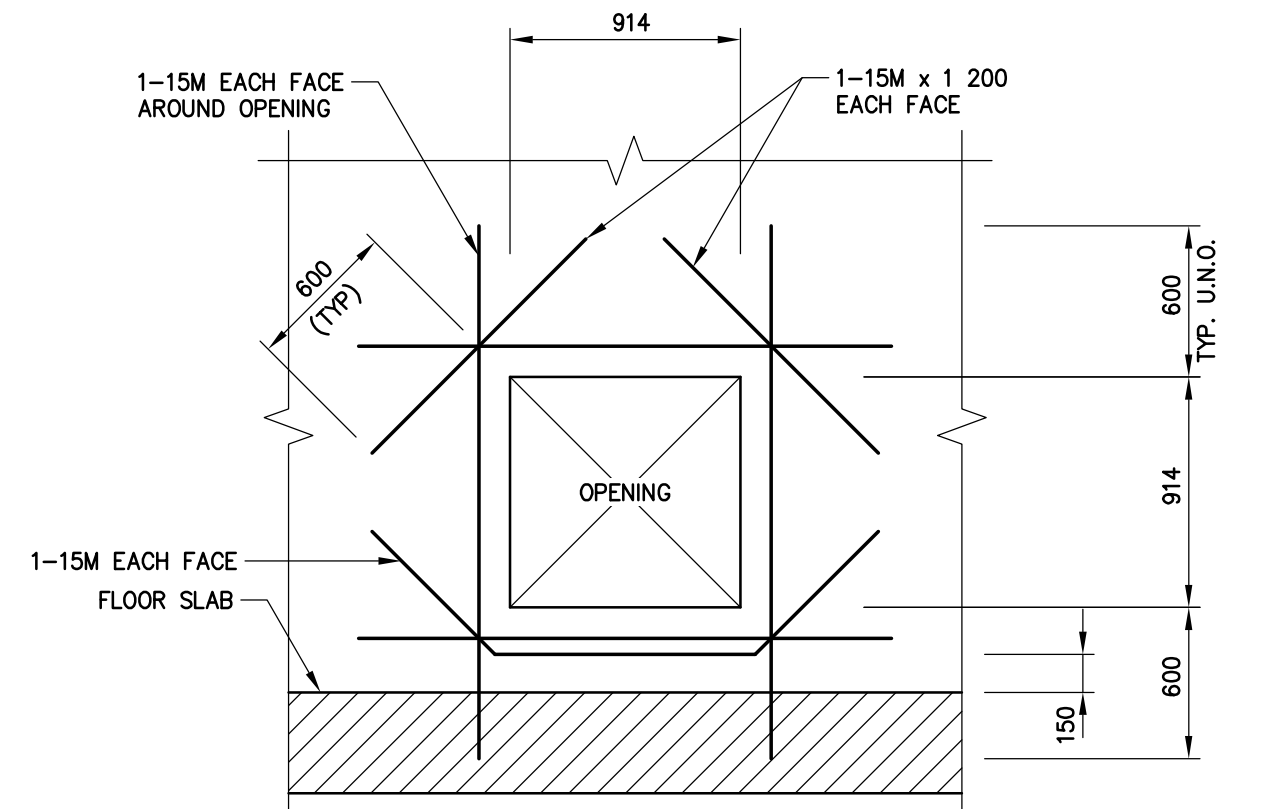
**NOTE:**  
 These design documents are prepared solely for the use by the party with whom the design professional has entered into a contract and there are no representations of any kind made by the design professional to any party with whom the design professional has not entered into a contract.



**SECTION (A-S2)**  
 1:25  
 (THROUGH C. OF PIPE)

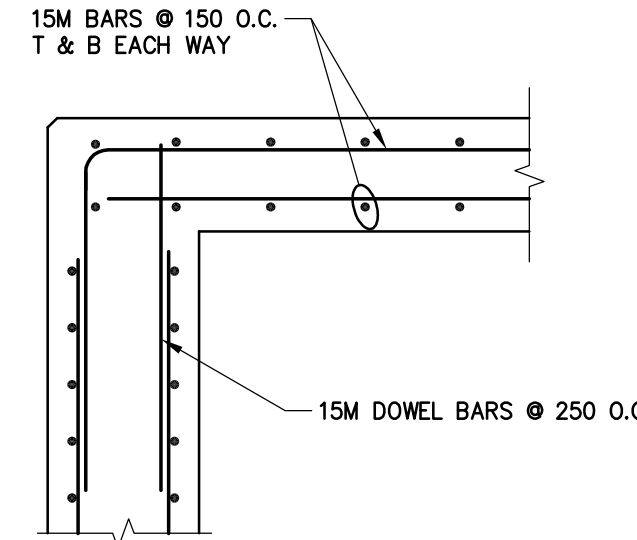


**ELEVATION (1-S2)**  
 1:30

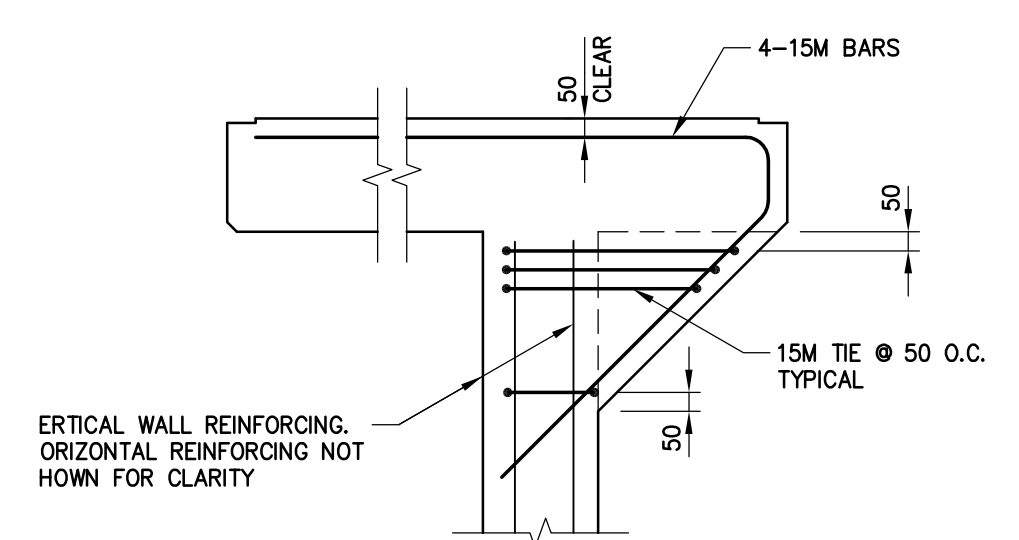


**ELEVATION (2-S2)**  
 1:30

NOTE: WALL AND SLAB REINFORCING NOT SHOWN FOR CLARITY

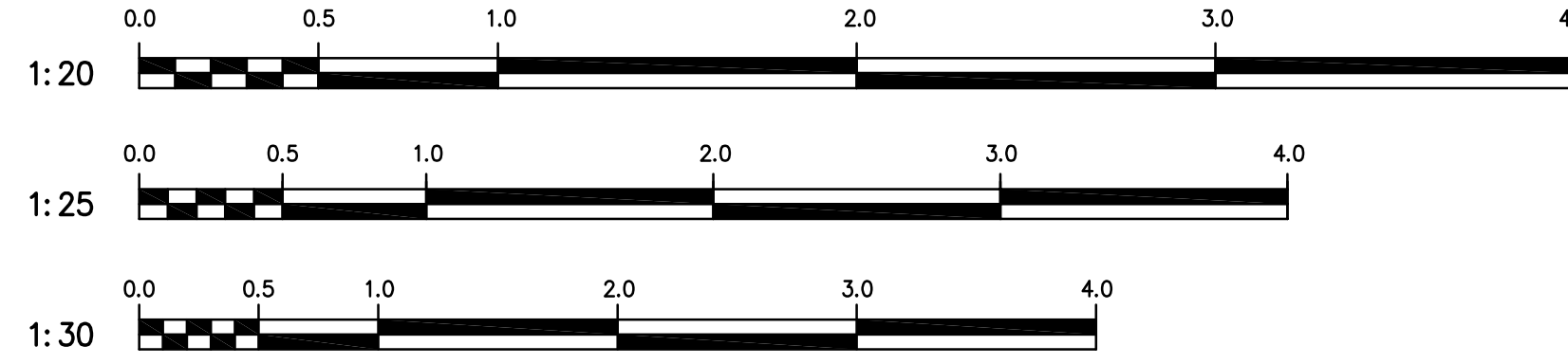


**SECTION (D-S2)**  
 1:20



**DETAIL (1-S2)**  
 1:20

NOTE: ROOF SLAB REINFORCING NOT SHOWN FOR CLARITY

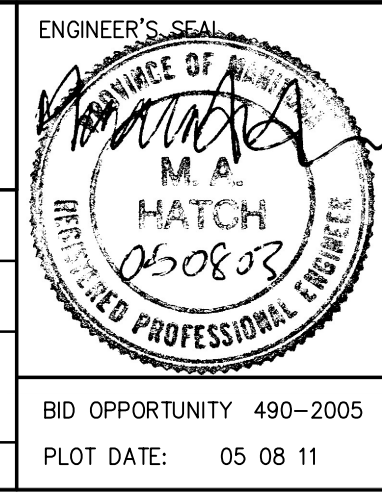


A-B  
 C  
 A = DETAIL/SECTION No.  
 B = DRAWING WHERE SHOWN  
 C = DRAWING WHERE TAKEN

**METRIC**  
 WHOLE NUMBERS INDICATE MILLIMETRES  
 DECIMALIZED NUMBERS INDICATE METRES



<b>ND LEA Engineers &amp; Planners Inc.</b> Suite 111-93 Lombard Avenue Winnipeg, Manitoba R3B 3B1 Phone (204) 943-3178 Facsimile (204) 943-4948			
DESIGNED BY	MH	CHECKED BY	JPL
DRAWN BY	CDP	APPROVED BY	-
HOR. SCALE	AS SHOWN	RELEASED FOR CONSTRUCTION	
VERTICAL			
NO. REVISIONS	DATE	BY	DATE
1	-	-	05 07 18



**THE CITY OF WINNIPEG**  
 WATER AND WASTE DEPARTMENT

**Winnipeg**

2005 OUTFALL GATE CHAMBER UPGRADES  
 LEMAY AVENUE  
 LDS OUTFALL GATE CHAMBER  
 REINFORCING DETAILS

CONSULTANT DRAWING NUMBER  
**41479-07-S2**

SHEET **14** OF **16**

CITY DRAWING NUMBER  
**LD-3151**

BID OPPORTUNITY 490-2005  
 PLOT DATE: 05 08 11