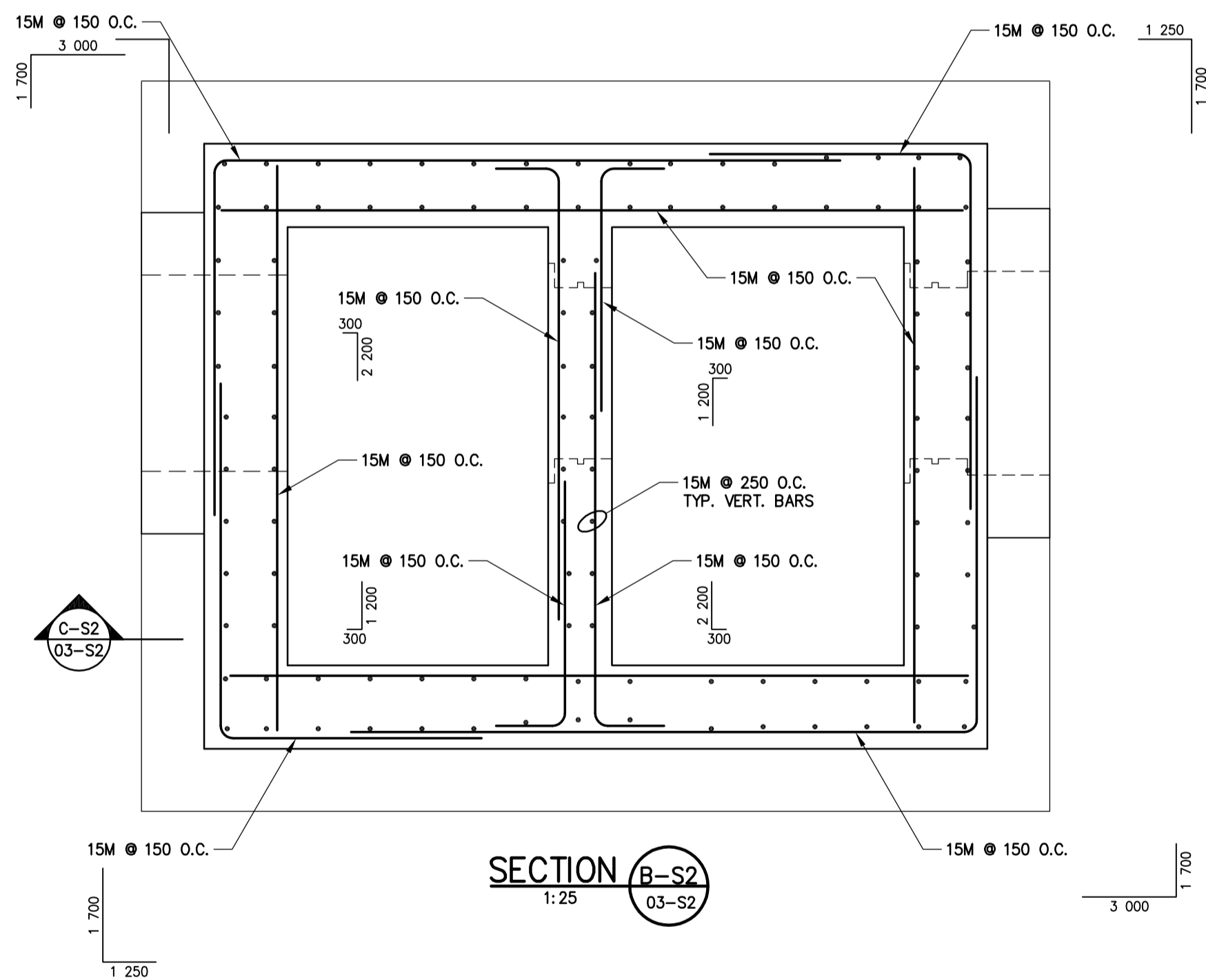
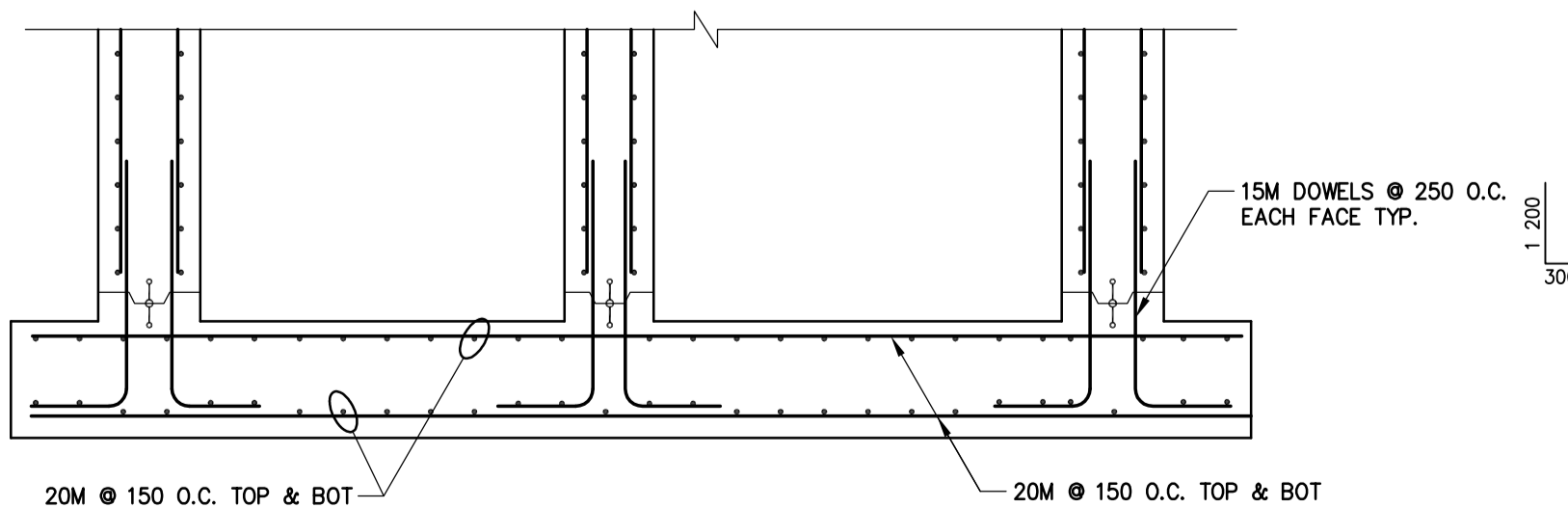


ROOF SLAB REINFORCING PLAN
1:25

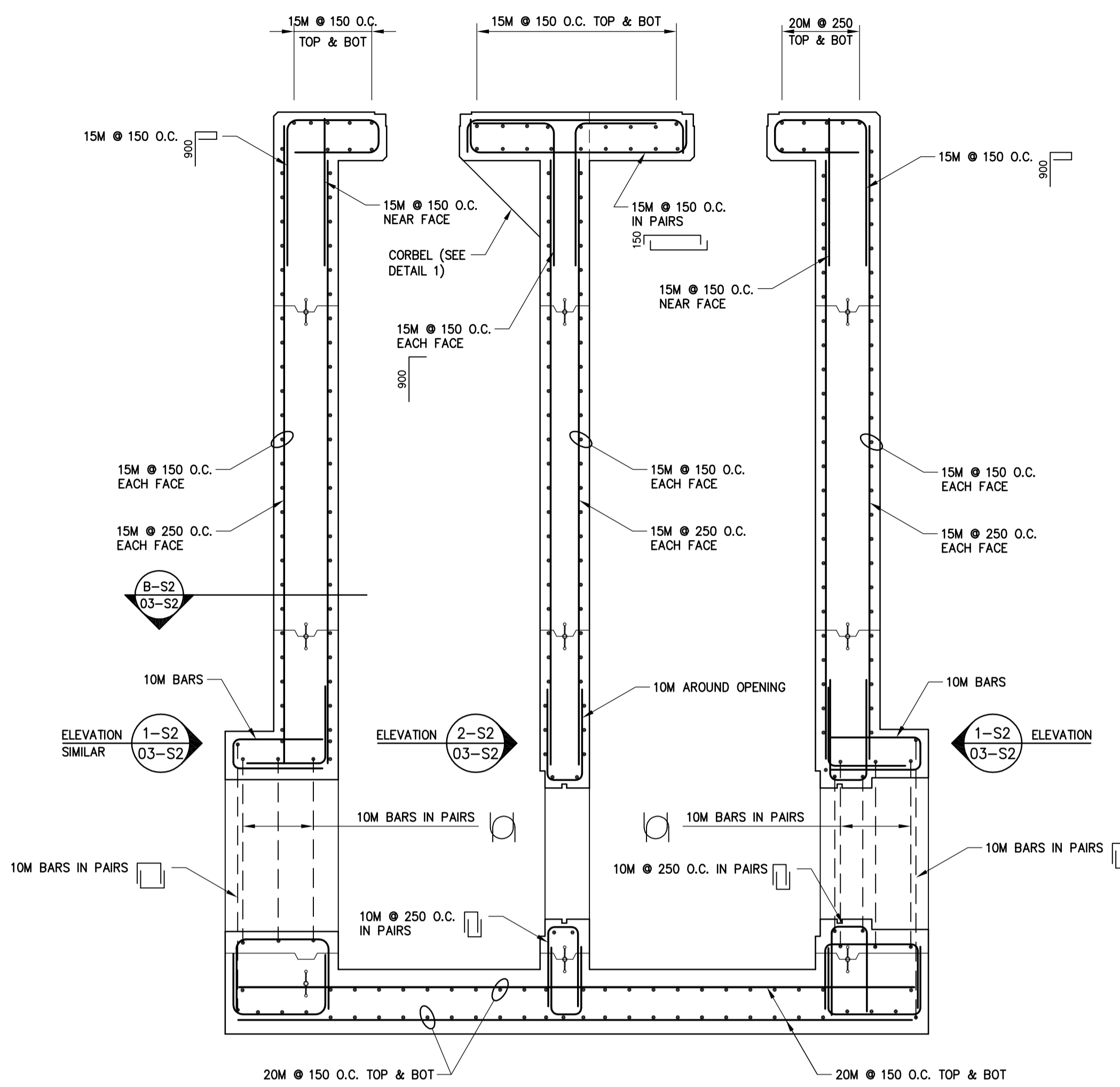


SECTION B-S2
1:25

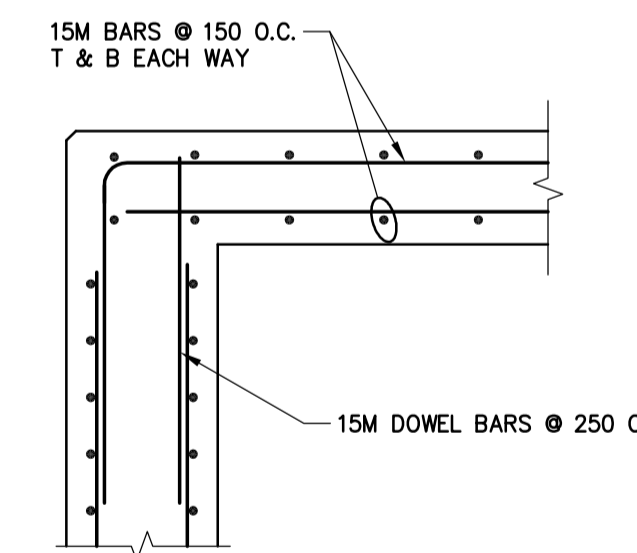


SECTION C-S2
1:25

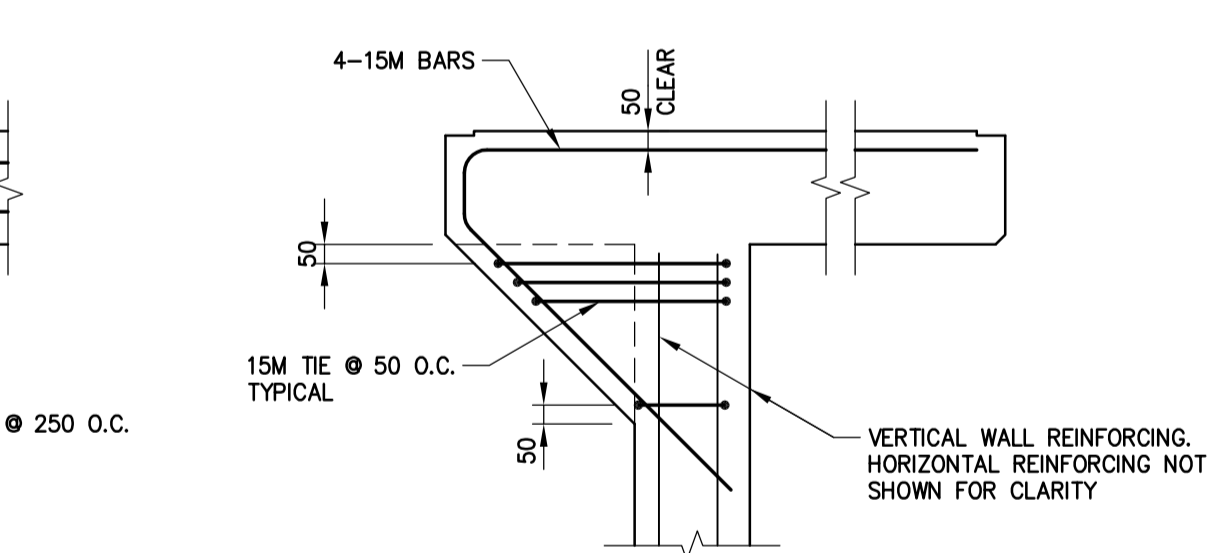
NOTE:
These design documents are prepared solely for the use by the party with whom the design professional has entered into a contract and there are no representations of any kind made by the design professional to any party with whom the design professional has not entered into a contract.



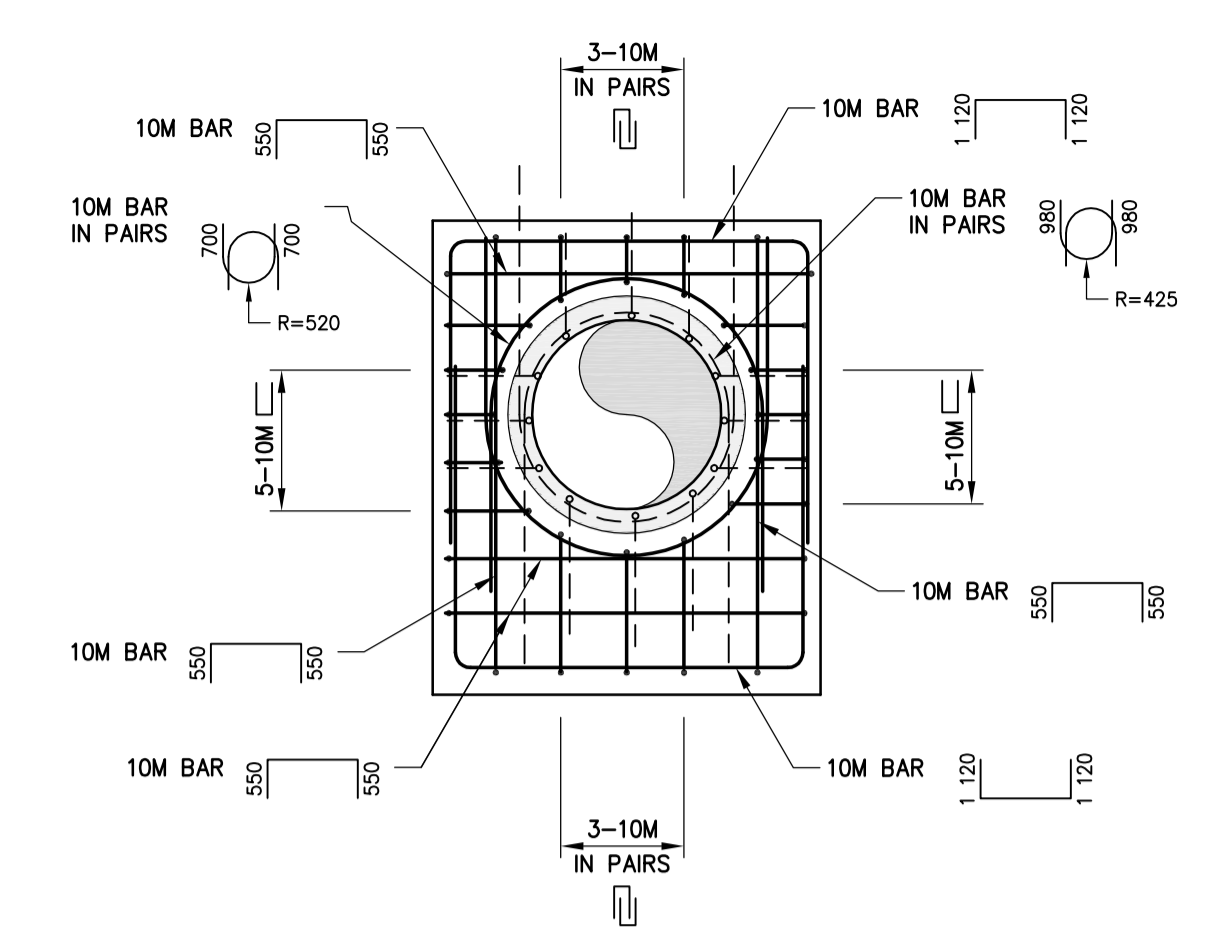
SECTION A-S2
(THROUGH C. OF PIPE)
1:25



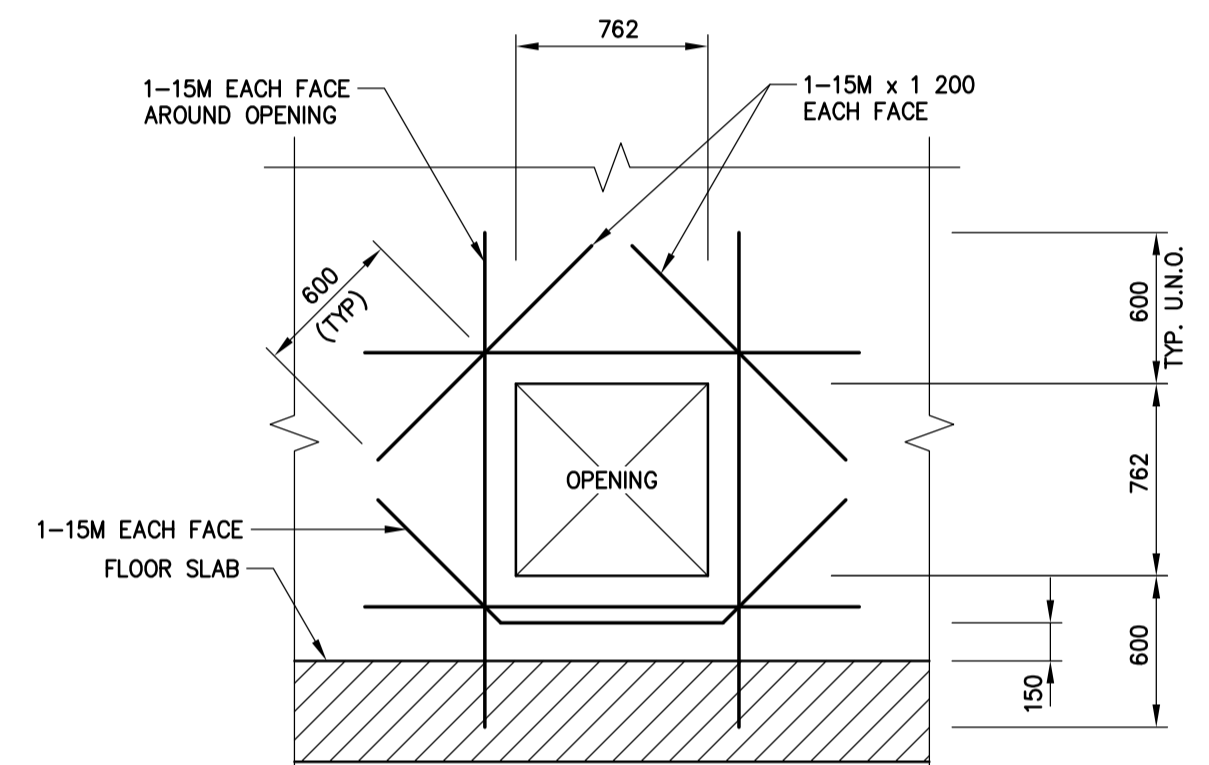
SECTION D-S2
1:20



DETAIL 1-S2
1:20



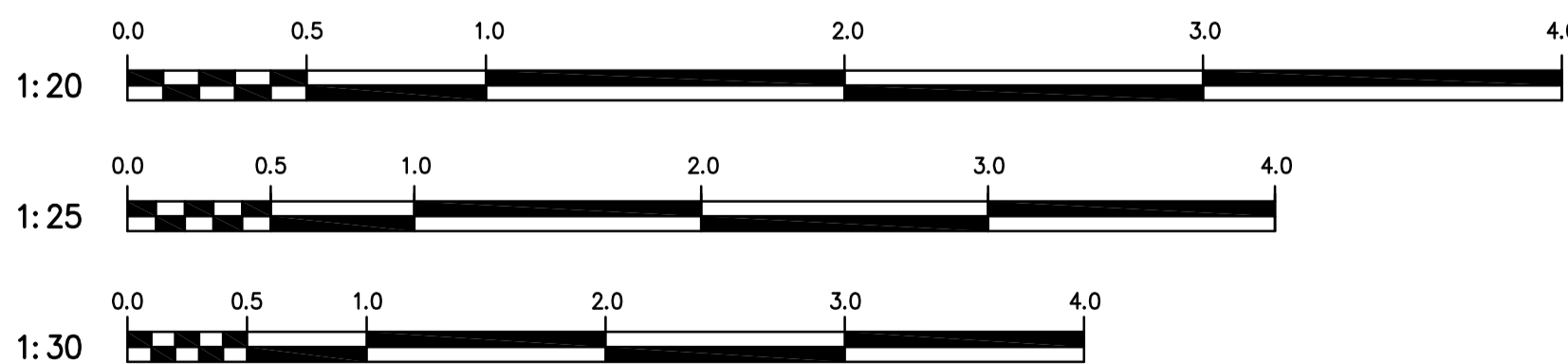
ELEVATION 1-S2
1:30



ELEVATION 2-S2
1:30

NOTE: WALL AND SLAB REINFORCING NOT SHOWN FOR CLARITY

NOTE: ROOF SLAB REINFORCING NOT SHOWN FOR CLARITY



A-B
C

A = DETAIL/SECTION No.
B = DRAWING WHERE SHOWN
C = DRAWING WHERE TAKEN

METRIC
WHOLE NUMBERS INDICATE MILLIMETRES
DECIMALIZED NUMBERS INDICATE METRES

APEGM
Certificate of Authorization
ND LEA Engineers & Planners Inc.
No. 2728 Expiry: April 30, 2006

ND LEA Engineers & Planners Inc. Suite 111-93 Lombard Avenue Winnipeg, Manitoba R3B 3B1 Phone (204) 943-3178 Facsimile (204) 943-4948		ENGINEER'S SEAL M.A. HATCH 050810 REGISTERED PROFESSIONAL ENGINEER
DESIGNED BY: MH	CHECKED BY: JPL	BID OPPORTUNITY 492-2005 PLOT DATE: 05 08 12
DRAWN BY: CDP	APPROVED BY: -	
HOR. SCALE: AS SHOWN	RELEASED FOR CONSTRUCTION	
VERTICAL: AS SHOWN	DATE: 05 08 04	
NO. REVISIONS	DATE	BY

THE CITY OF WINNIPEG
WATER AND WASTE DEPARTMENT

Winnipeg

2005 OUTFALL GATE CHAMBER UPGRADES
KAVANAGH STREET
LDS OUTFALL GATE CHAMBER
REINFORCING DETAILS

CONSULTANT DRAWING NUMBER: 41479-03-S2
SHEET 10 OF 14
CITY DRAWING NUMBER: LD-3163

Aug 12, 2005 - 2:12pm
P: 41400 - 41498
2005 Outfall Gate Chamber Upgrades Drawings\41479 03 Kavanagh - S1 Conc. & S2 Reinf.dwg - tab:kavanagh - Reinforcing