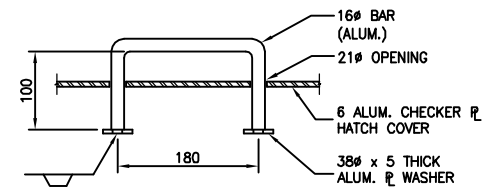
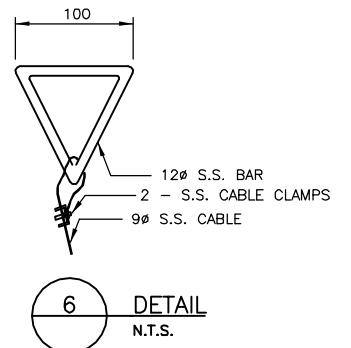


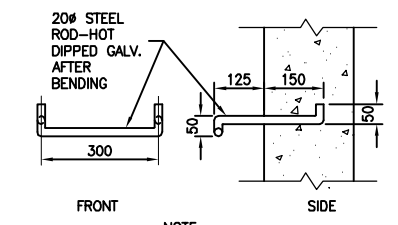
A HATCH COVER BOLT DOWN SECTION
1:5



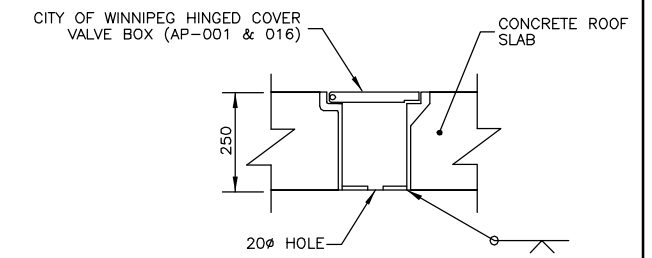
E SECTION
1:5



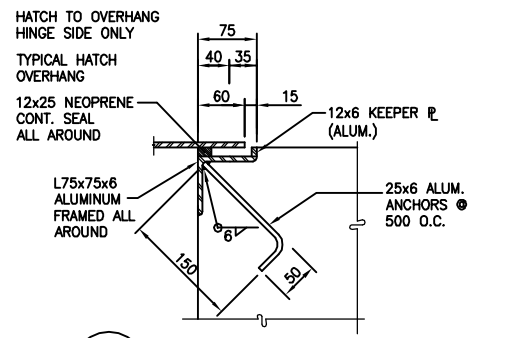
6 DETAIL
N.T.S.



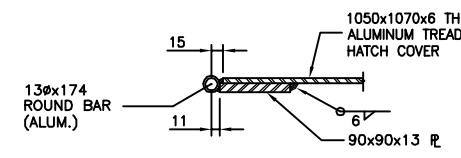
8 TYPICAL LADDER RUNG DETAIL
1:10



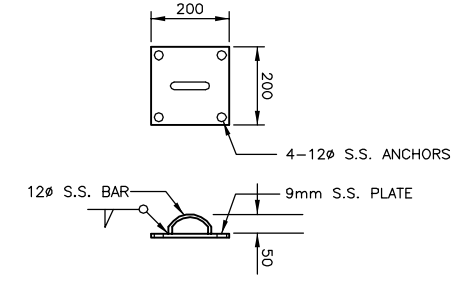
9 DETAIL
N.T.S.



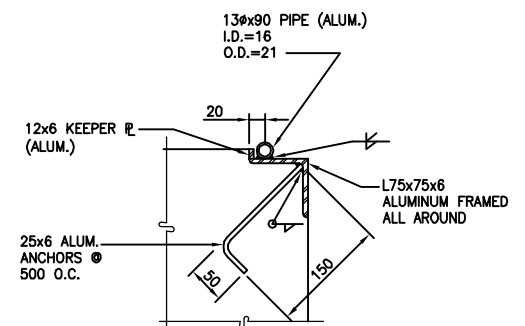
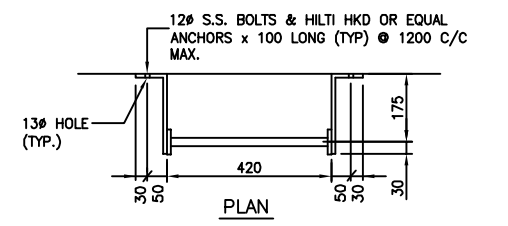
B HATCH SUPPORT SECTION
1:5



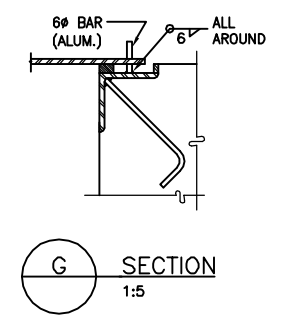
F SECTION
1:5



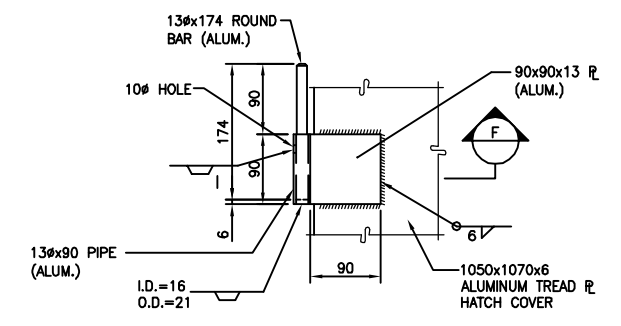
7 DETAIL
N.T.S.



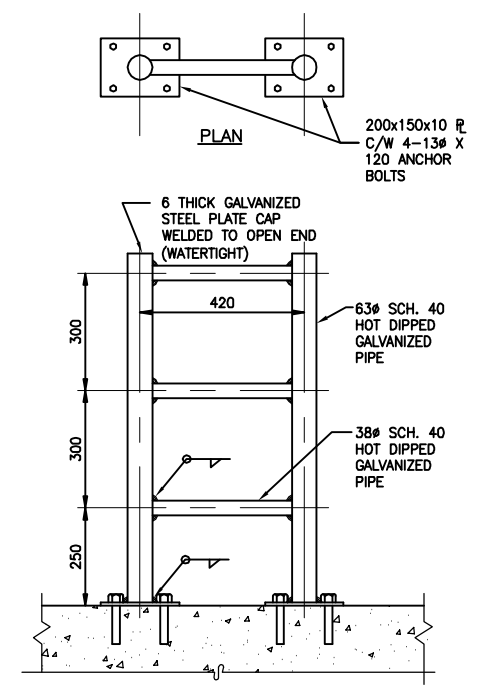
C SECTION
1:5



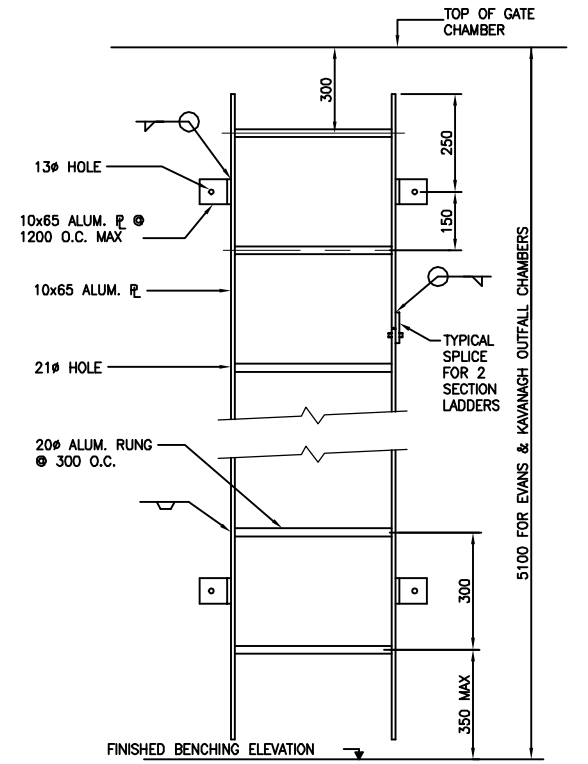
G SECTION
1:5



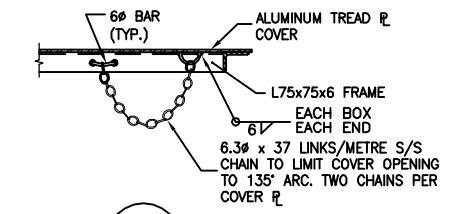
1 DETAIL
1:5



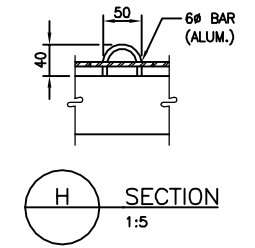
3 HAND HOLD DETAIL
1:10



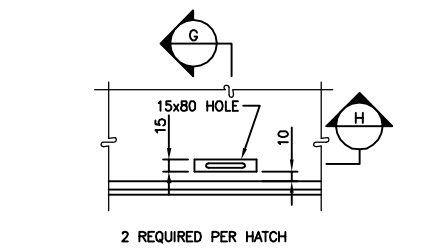
4 LADDER DETAIL
1:10



D SECTION
1:10

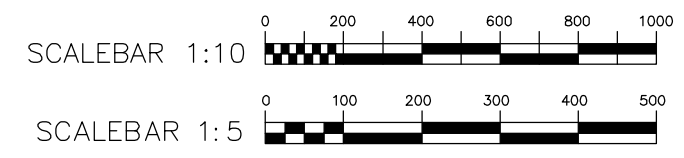


H SECTION
1:5



2 HATCH LOCK HASP PLAN
1:5

NOTE: ALL NUTS, BOLTS AND FASTENERS TO BE TYPE 316 STAINLESS STEEL



B.M. ELEV.		FIELD BOOK #:		CITY OF WINNIPEG WATER AND WASTE ENGINEERING DIVISION		ENGINEER'S SEAL		THE CITY OF WINNIPEG WATER AND WASTE DEPARTMENT	
POSTED TO LBIS						ORIGINAL SIGNED BY K.R. ZUREK 05/08/24			
				DESIGNED BY DGS CHECKED BY TW		APPROVED BY KZ		EVANS STREET AND KAVANAGH STREET MICELLANEOUS DETAILS	
				DRAWN BY WKT/CJH APPROVED BY		RELEASED FOR CONSTRUCTION		CITY DRAWING NUMBER LD-3167	
				HOR. SCALE AS VERTICAL SHOWN				BID OPPORTUNITY: 492-2005 FILENAME: LD-3167.dwg PLOT DATE: 2005 08 24	
NO. REVISIONS		DATE		DATE		2005 08 24			

METRIC
WHOLE NUMBERS INDICATE MILLIMETRES
DECIMALIZED NUMBERS INDICATE METRES