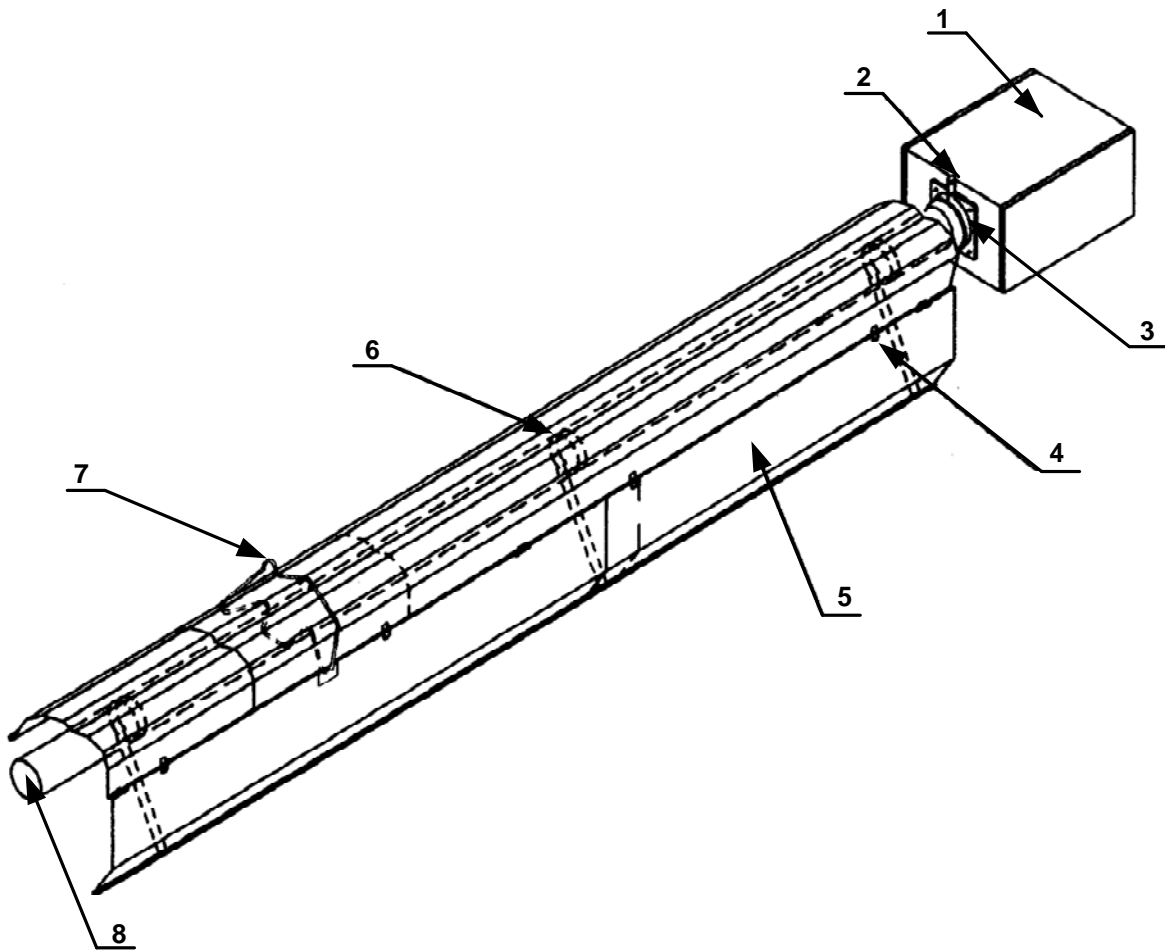


ASSEMBLY DETAILS

1. Control housing
2. Tube support (5")
3. Flange with tube gasket
4. Retainer brackets
5. Side extension reflector
6. Support bracket for side extension reflector
7. Tube and reflector hanger with clamp package
8. Tube (4" O.D.) with turbulator baffle



CITY OF WINNIPEG TRANSIT DEPARTMENT 421 OSBORNE STREET WINNIPEG, MB. R3L 2A2 avecherya@winnipeg.ca		PROJECT INSPECTION AND REPAIR OF INFRA RED HEATERS		SHEET TITLE VANTAGE II INFRA RED GAS HEATER	
DRAWN BY AV	CHECKED BY ROBERTS GORDON CANADA, INC	APPROVED BY CGA CSA DAAC	DATE 2005.08.15 eFILE 494-2005 DRAWING A-1-R0	SCALE NTS PROJECT No. 494-2005	SHEET No. A-1