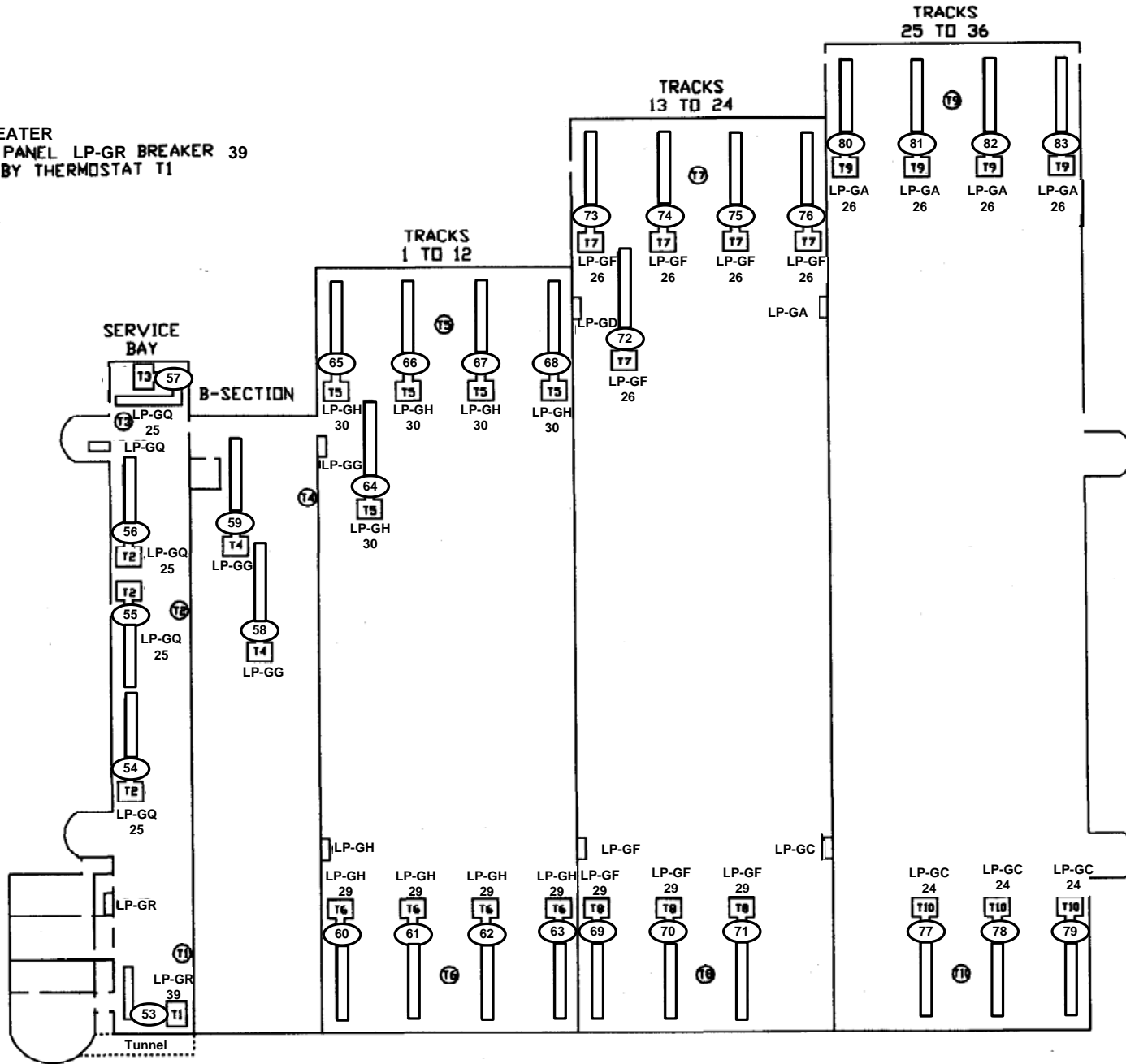


**LEGEND**

**T1** THERMOSTAT

**53** **T1** INFRA RED HEATER  
 POWERED BY PANEL LP-GR BREAKER 39  
 CONTROLLED BY THERMOSTAT T1

**53** UNIT NUMBER



<b>WINNIPEG TRANSIT DEPARTMENT</b> 421 Osborne Street Winnipeg MB R3L 2A2 Tel: 986-5812 / 479-5430 avecherya@winnipeg.ca		
PROJECT		
<b>INSPECTION AND REPAIR OF INFRA RED HEATERS</b>		
SHEET TITLE		
<b>LOCATION OF INFRA RED HEATERS AT FORT ROUGE GARAGE STORAGE TRACKS</b>		
DRAWN BY	CHECKED BY	APPR. BY
AV	AV	
eFILE	PROJECT No	
494-2005 DRAWING A-4-RO	494-2005	
DATE	SCALE	
2005. 08.15	NTS	
SHEET No		
<b>A-4</b>		