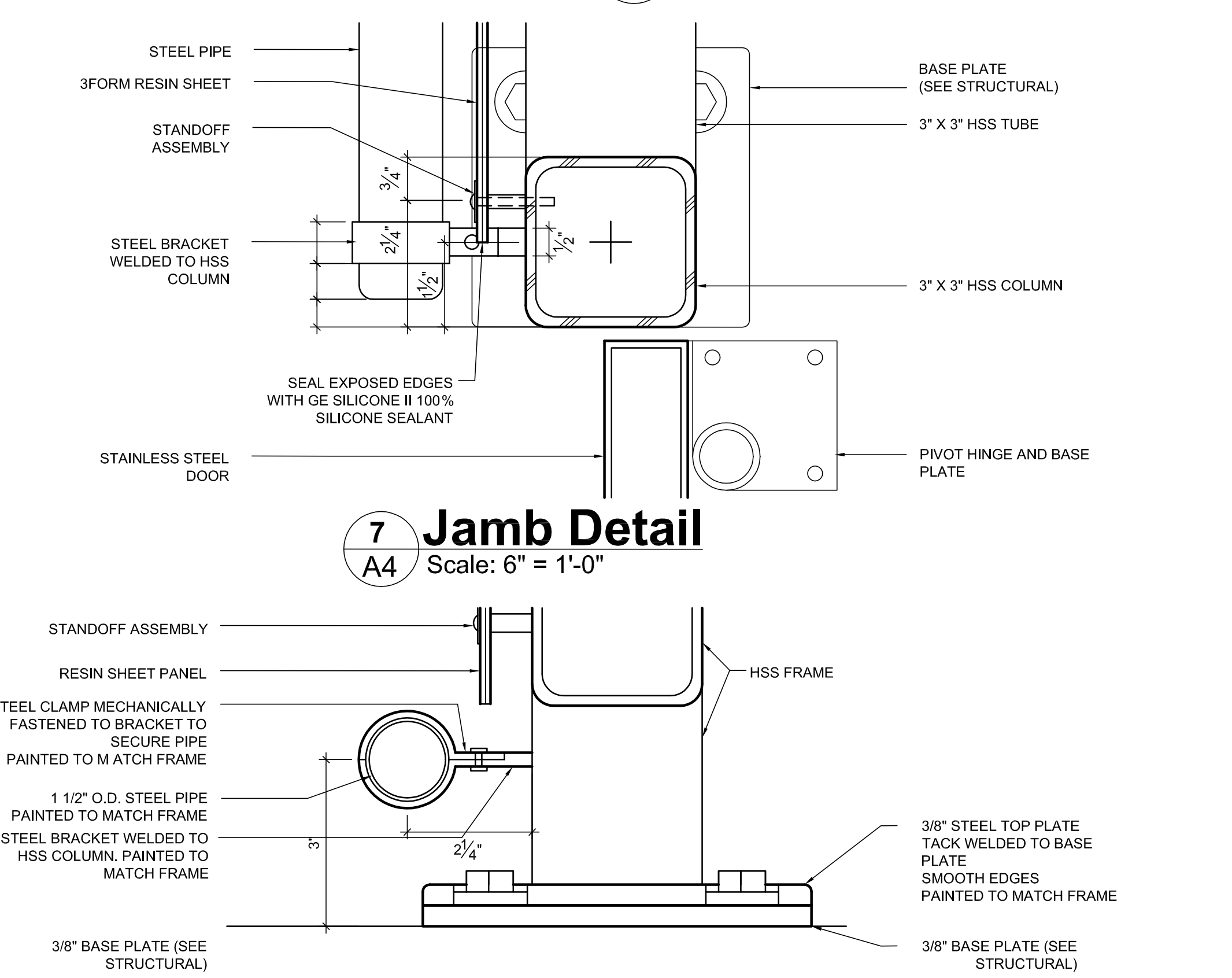
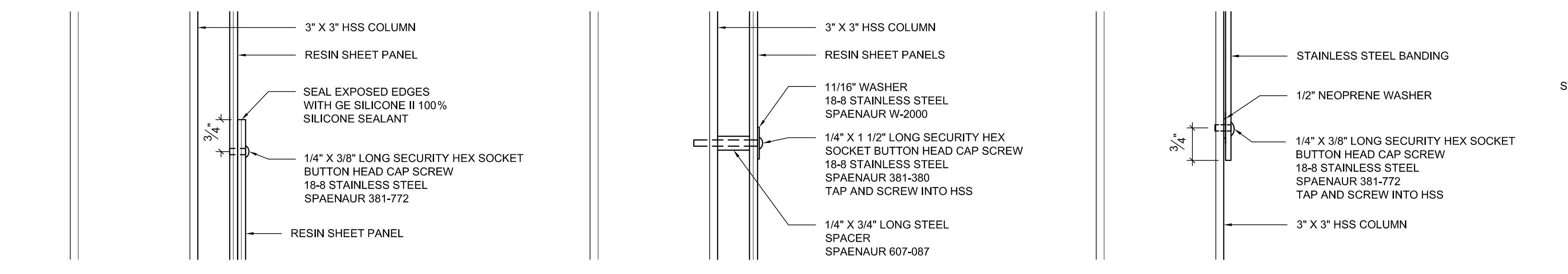
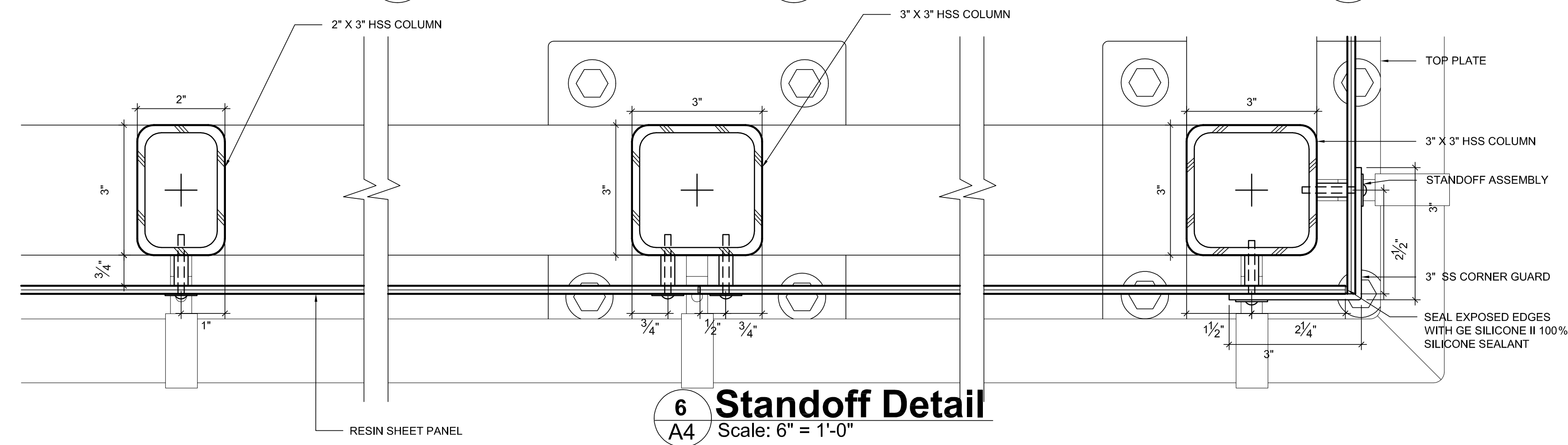
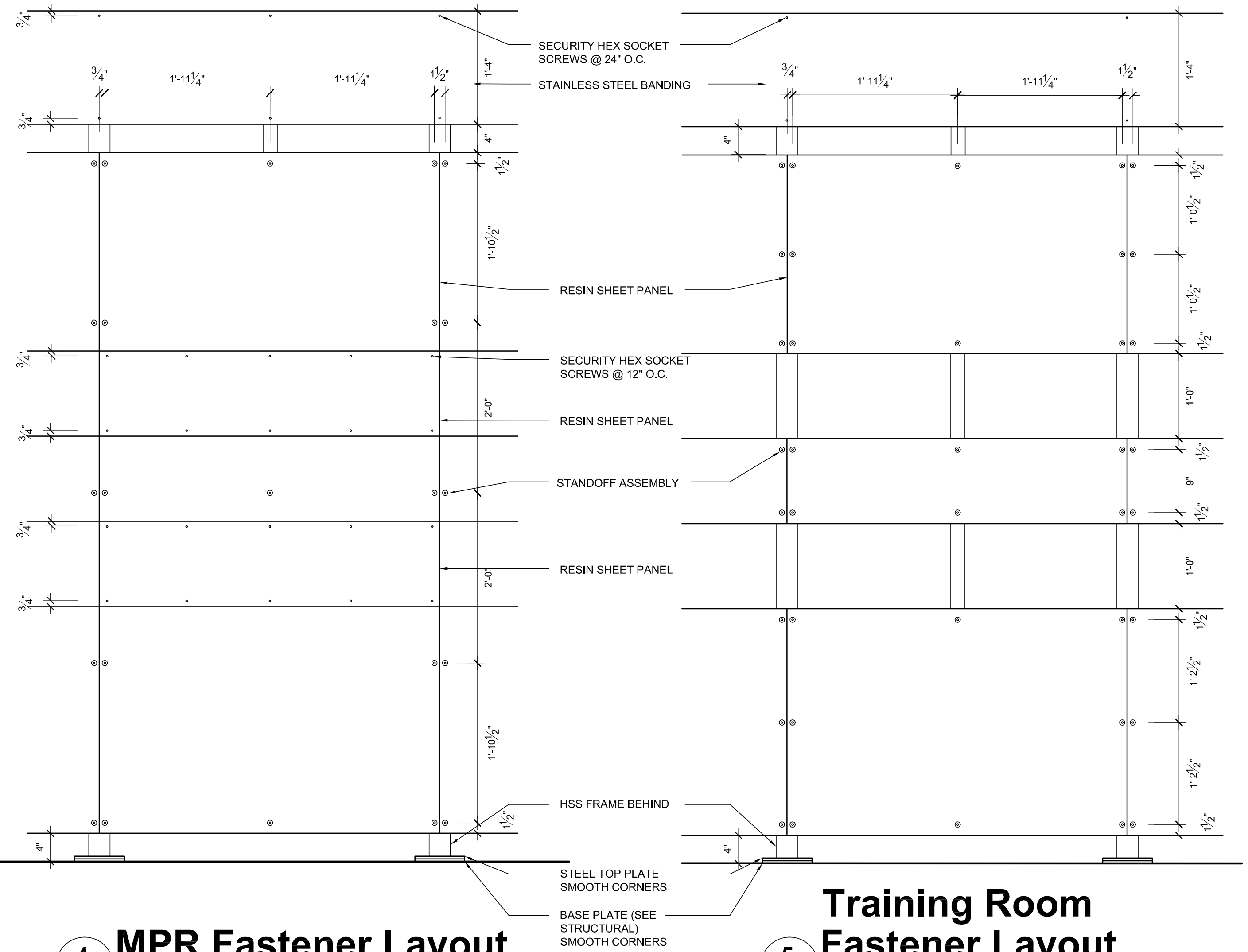
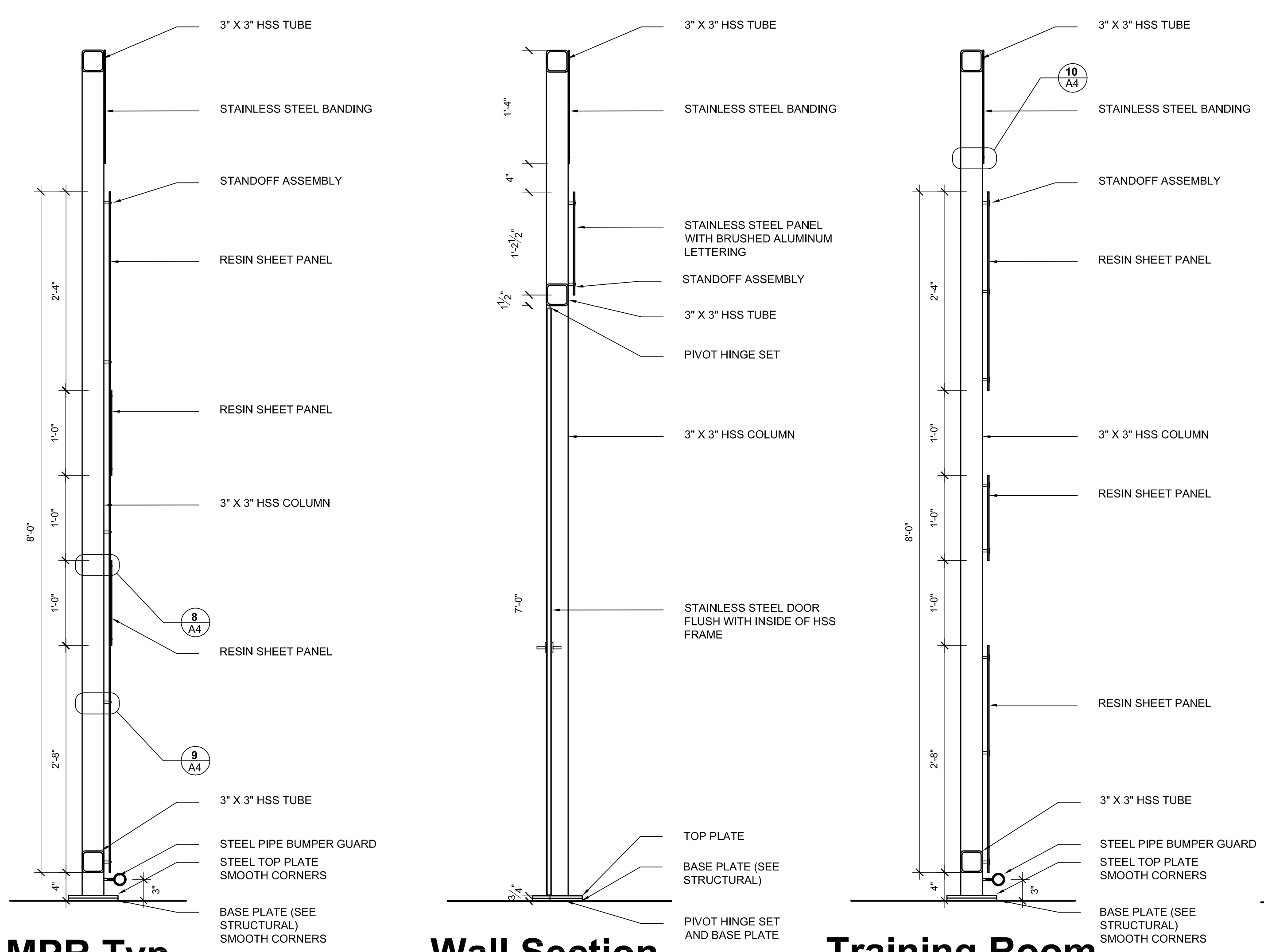


Ownership of Documents:
 Drawings and specifications as instruments of service are and shall remain the property of the Architect whether the project for which they are made is executed or not. They are not to be used by the owner on other projects or extensions to this project except by agreement in writing and with appropriate compensation to the Architect.

This drawing shall not be scaled. Follow given dimensions only.



ISSUED FOR
Tender Design Submission 10/11/05
 9/30/05

SEAL

ARCHITECT / PRIME CONSULTANT
SYNYSHYN ARCHITECTURE ARCHITECTURE PLANNING INC
 INTERIOR DESIGN FACILITY MANAGEMENT PRESENTATIONS

603-63 ALBERT STREET WINNIPEG MANITOBA CANADA R3B 1G4
 TELEPHONE 947-1100 FACSIMILE 956-9742

ENGINEERING CONSULTANT
UNIVERSITY OF MANITOBA ENGINEERS
 Lovelace Draward & Associates Inc.
 402-138 Portage Avenue East
 Winnipeg, Manitoba
 R3C 0A1
 Tel: 204 947 2222
 Fax: 204 947 2522
 E: mulgrew@uom.ca

ENGINEERING CONSULTANT

CITY OF WINNIPEG
BID OPPORTUNITY # 499-2005

PROJECT TITLE
PAN AM POOL
INTERIOR RENOVATION
 25 POSEIDON BAY
 WINNIPEG, MB

DRAWING TITLE
SECTIONS & DETAILS

DESIGNED BY JS/AD DRAWN BY AD

ISSUE DATE 10/5/05 REVISION No.

PROJECT No. 561 DRAWING No. **A-4**