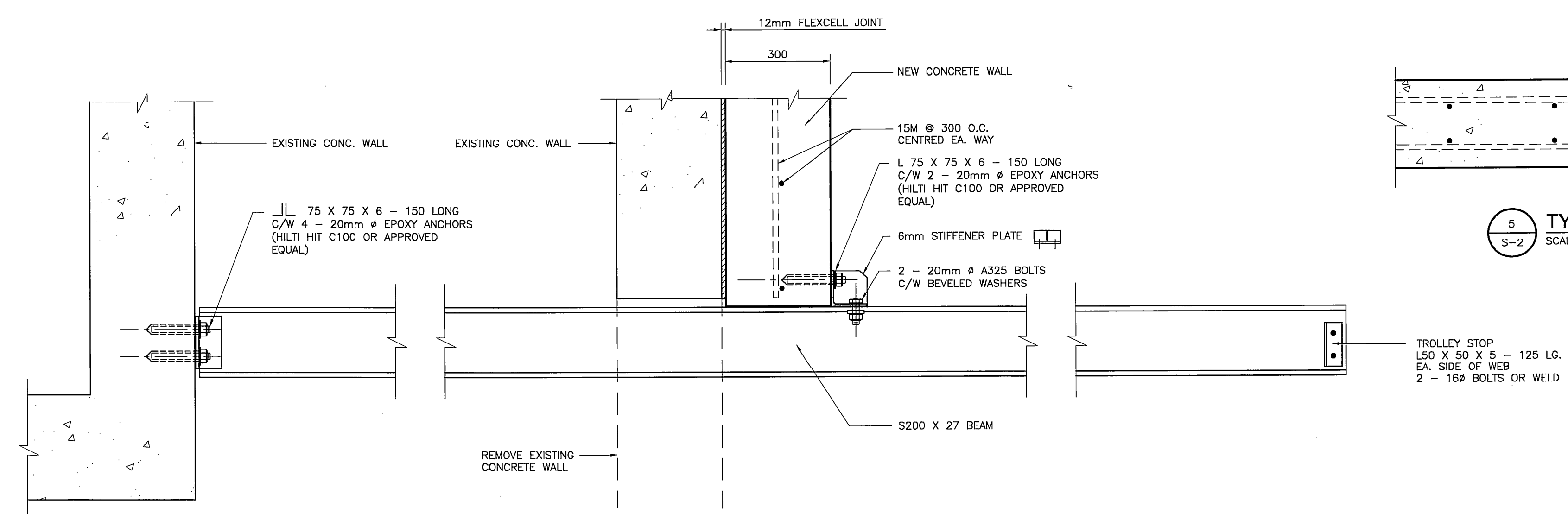


1 ELEVATION - SOUTH WALL
SCALE: 1:50

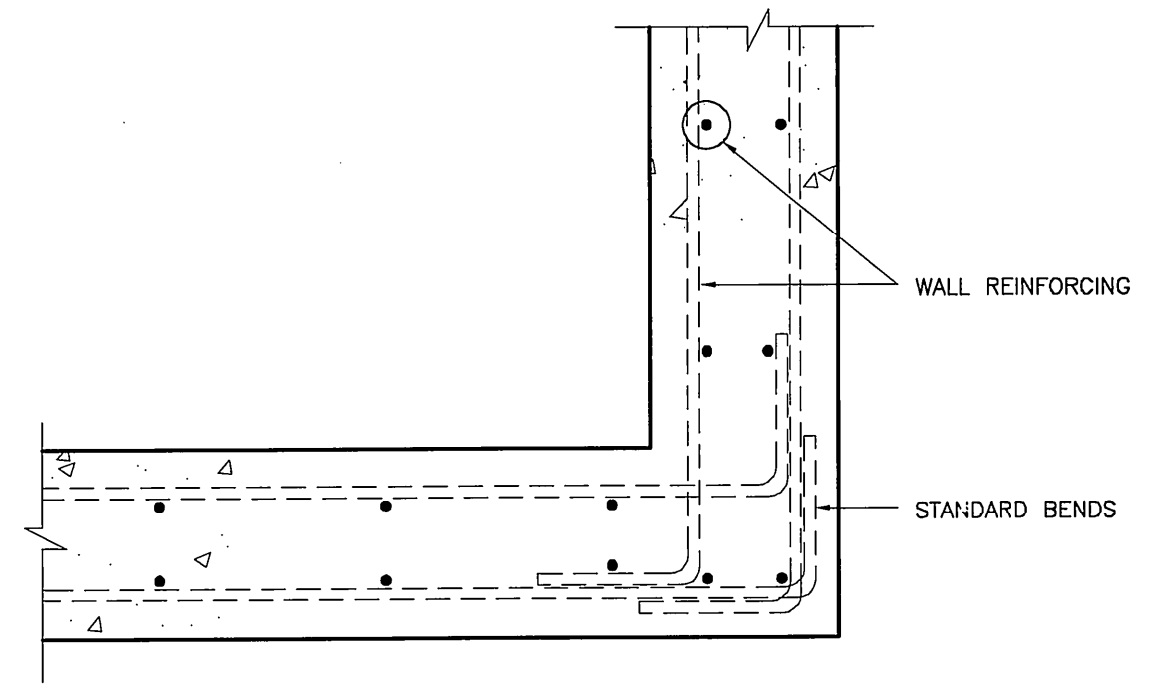
2 ELEVATION - EAST WALL
SCALE: 1:50

3 ELEVATION - NORTH WALL
SCALE: 1:50

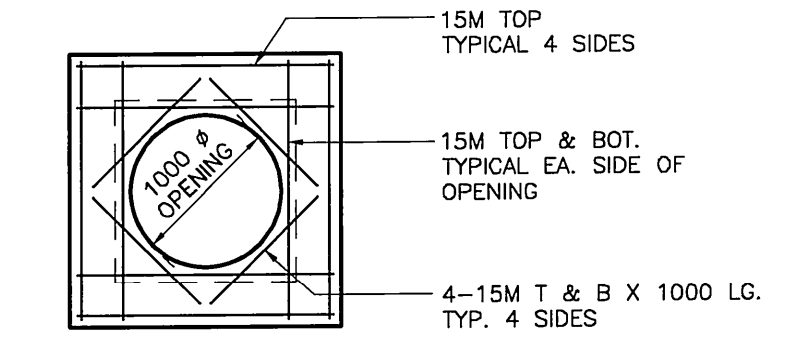


4 ELEVATION OF MONORAIL
SCALE: 1:10

ALLOWABLE LIFTED LOAD = 1 TON



5 TYPICAL CORNER DETAIL
SCALE: 1:10



6 PLAN TOP SLAB EL. 231.515
SCALE: 1:50

B.M. ELEV.		FIELD BOOK #:		D.H. ROBBINS ENGINEERING CONSULTING STRUCTURAL ENGINEERS 114 Ruttan Bay, Winnipeg, Manitoba, R3T 0H6		ORIGINAL SIGNED BY D.H. ROBBINS 05/02/09		THE CITY OF WINNIPEG WATER AND WASTE DEPARTMENT	
POSTED TO LBS				DESIGNED BY DHR	CHECKED BY TW	2005 MAGER DRIVE WASTEWATER PUMPING STATION EXPANSION		SHEET 3 OF 12	
				DRAWN BY DLL	APPROVED BY K. ZUREK	STRUCTURAL REINFORCING WALL ELEVATIONS		CONSULTANT DRAWING NUMBER 04401-05-S2	
3 GENERAL REVISIONS 05/01/17		2 GENERAL REVISIONS 04/12/13		HOR. SCALE AS NOTED		RELEASED FOR CONSTRUCTION K. ZUREK		CITY DRAWING NUMBER 05551	
1 GENERAL REVISIONS 04/11/02				VERTICAL AS NOTED		BID OPPORTUNITY: 52-2005 FILENAME: BANNING_SARG.dwg PLOT DATE:			
NO.	REVISIONS	DATE	BY	DATE	2004 03 04	DATE	2005 02 10		