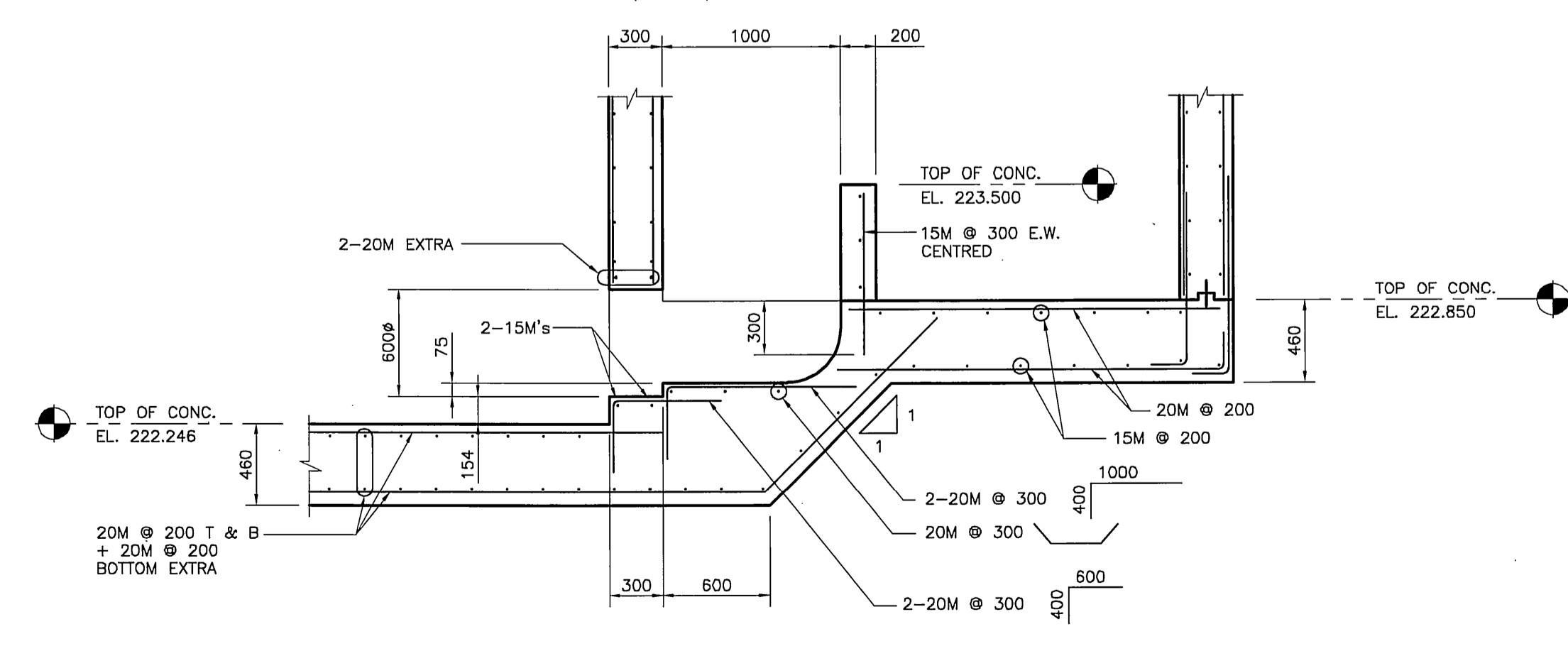
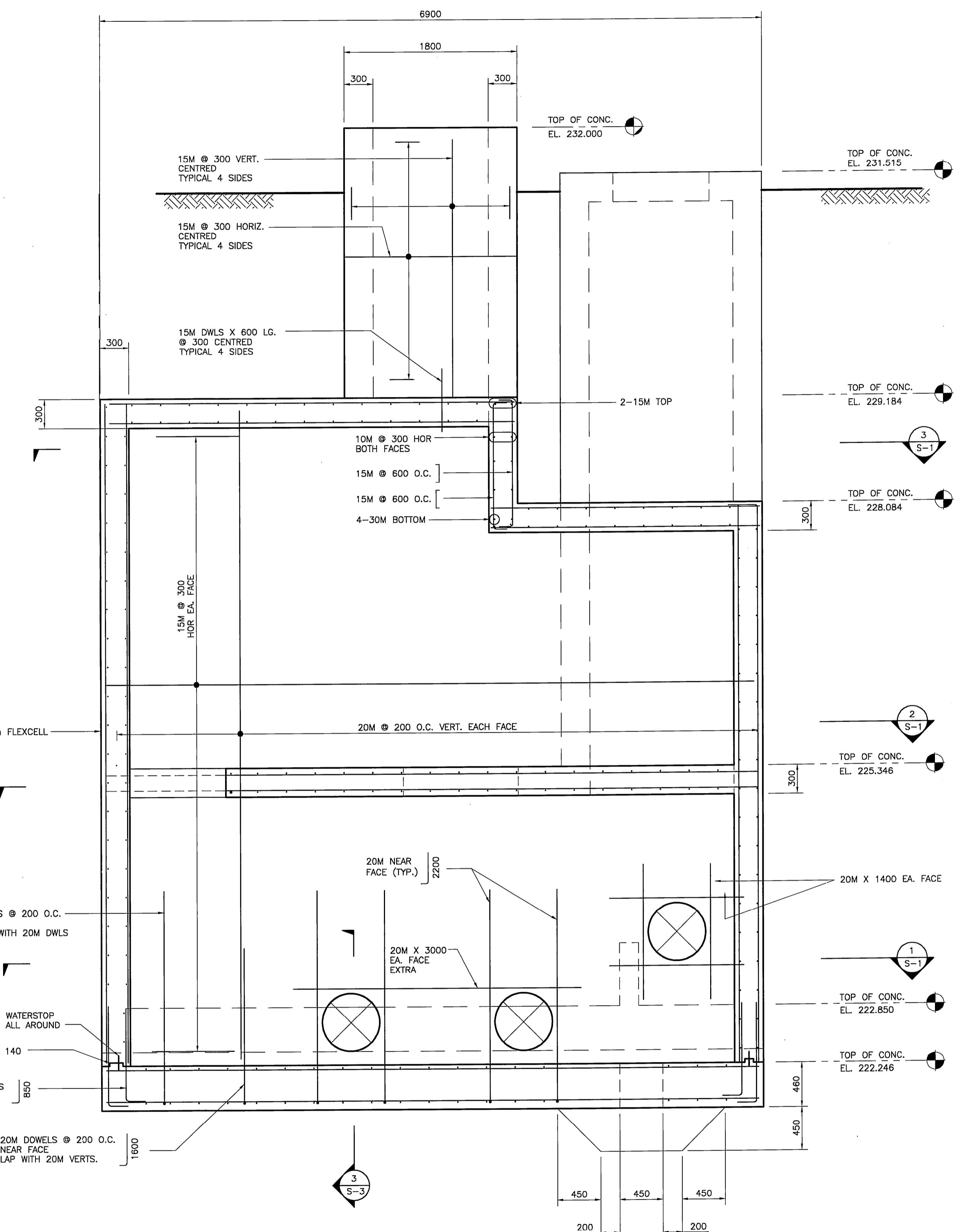


1 SECTION
S-3
SCALE: 1:30



3 SECTION
S-3
SCALE: 1:30



2 ELEVATION - INTERIOR WALL
S-3
SCALE: 1:30

B.M. ELEV.		FIELD BOOK #:		D.H. ROBBINS ENGINEERING CONSULTING STRUCTURAL ENGINEERS 114 Ruttan Bay, Winnipeg, Manitoba, R3T 0H6		ORIGINAL SIGNED BY D.H. ROBBINS 05/02/09		THE CITY OF WINNIPEG WATER AND WASTE DEPARTMENT	
POSTED TO LBIS				DESIGNED BY	DHR	CHECKED BY	TW	2005 MAGER DRIVE WASTEWATER PUMPING STATION EXPANSION	
				DRAWN BY	DLL	APPROVED BY	K. ZUREK	STRUCTURAL REINFORCING	
				HOR. SCALE AS NOTED		RELEASED FOR CONSTRUCTION		WALL ELEVATIONS & SECTIONS	
3 GENERAL REVISIONS		05/01/17		VERTICAL AS NOTED		K. ZUREK		SHEET 4 OF 12	
2 GENERAL REVISIONS		04/12/13		DATE		2004 03 04		CONSULTANT DRAWING NUMBER 04401-05-S3	
1 GENERAL REVISIONS		04/11/02		DATE		2005 02 10		CITY DRAWING NUMBER 05552	
NO. REVISIONS		DATE		BY		DATE		BID OPPORTUNITY: 52-2005 FILENAME: BANNING_SARG.dwg PLOT DATE:	