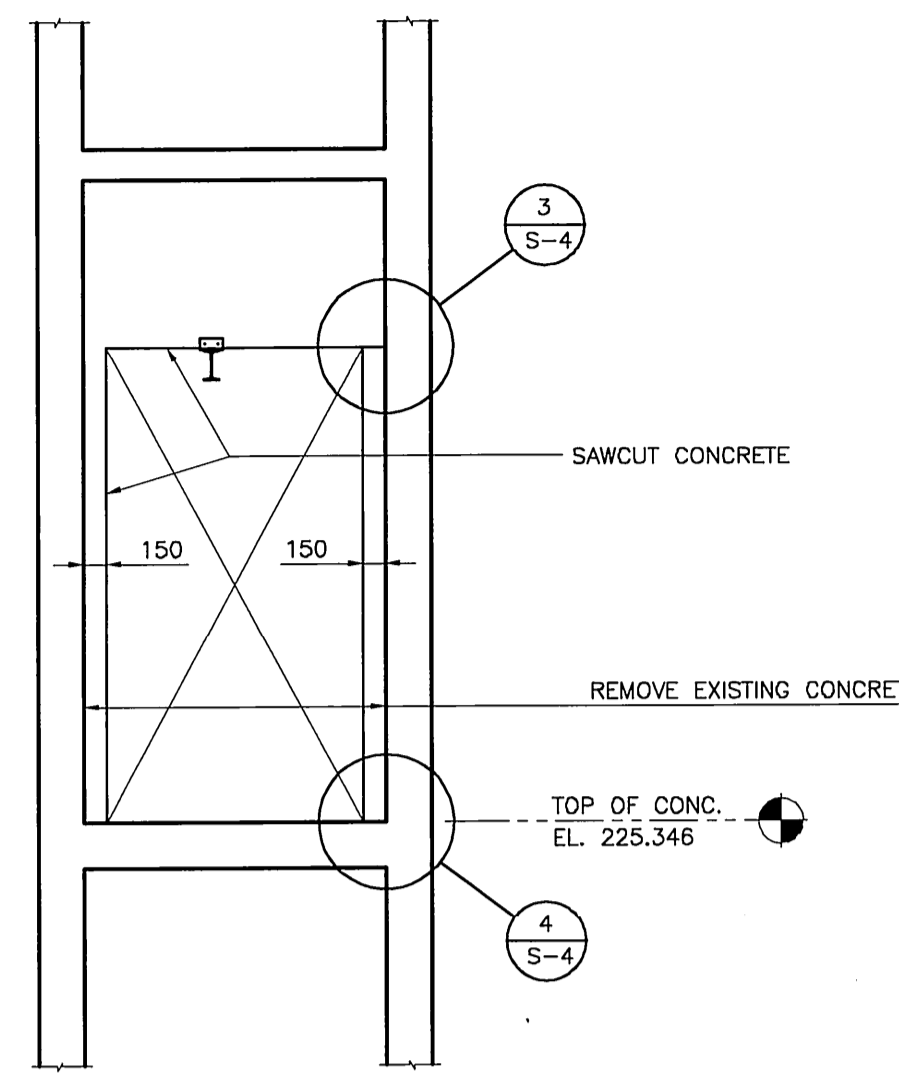
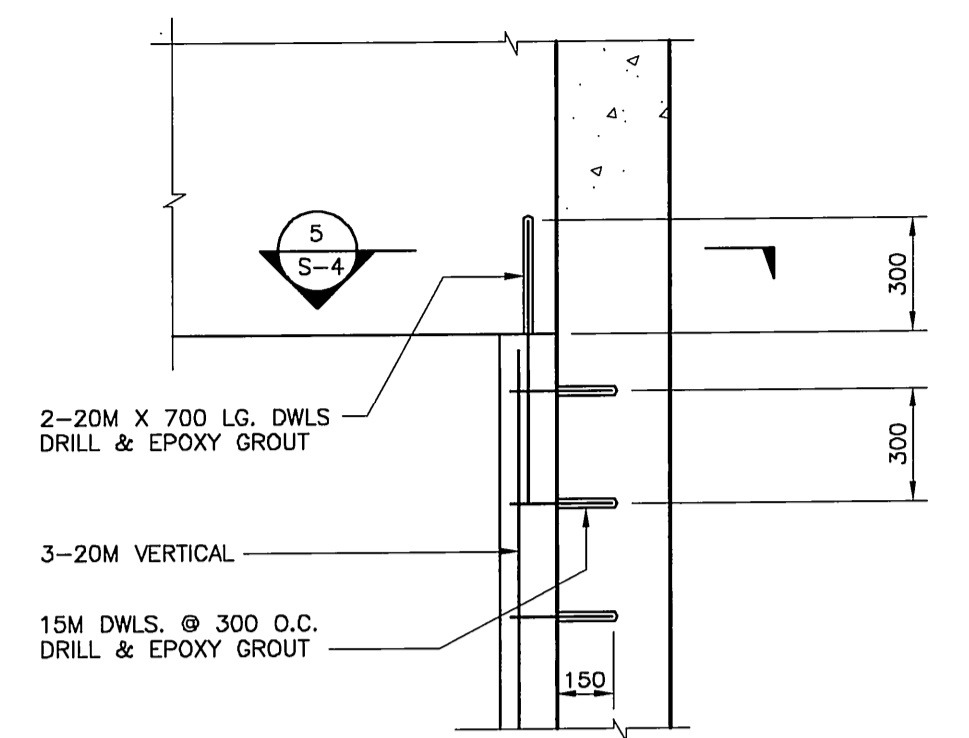


1 WALL ELEVATION
SCALE: 1:50

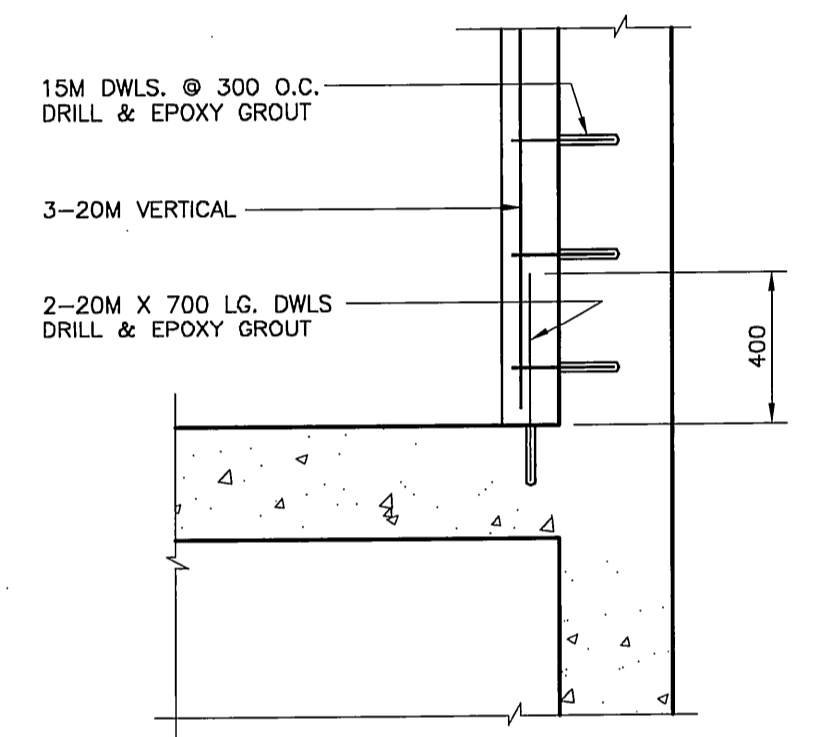


2 WALL ELEVATION
SCALE: 1:50

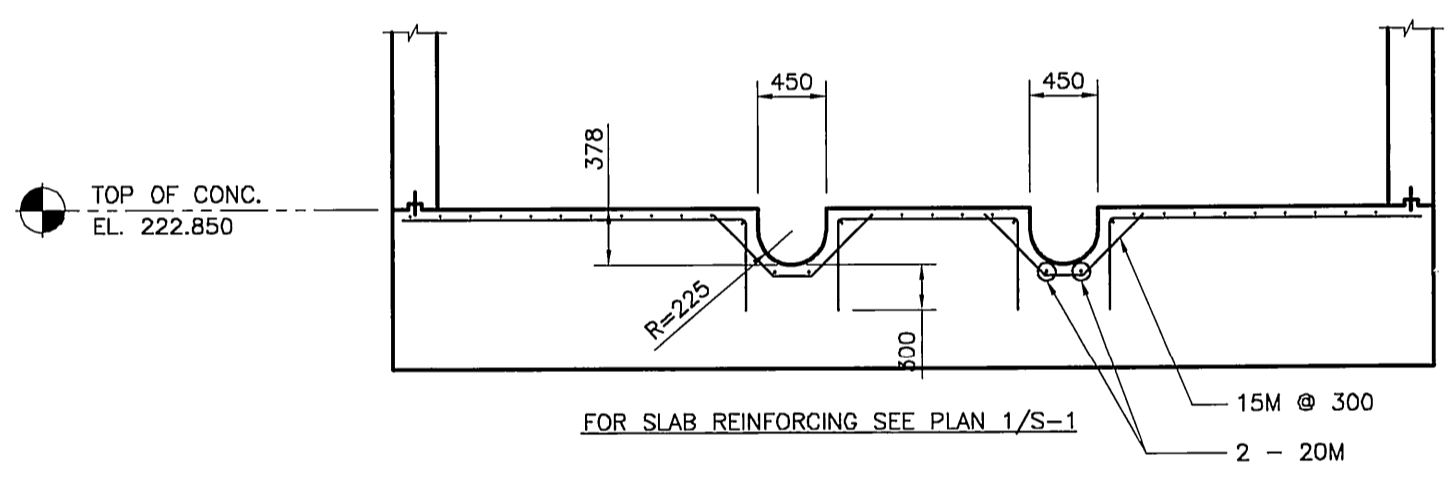
2A WALL ELEVATION (SIMILAR)
SCALE: 1:50



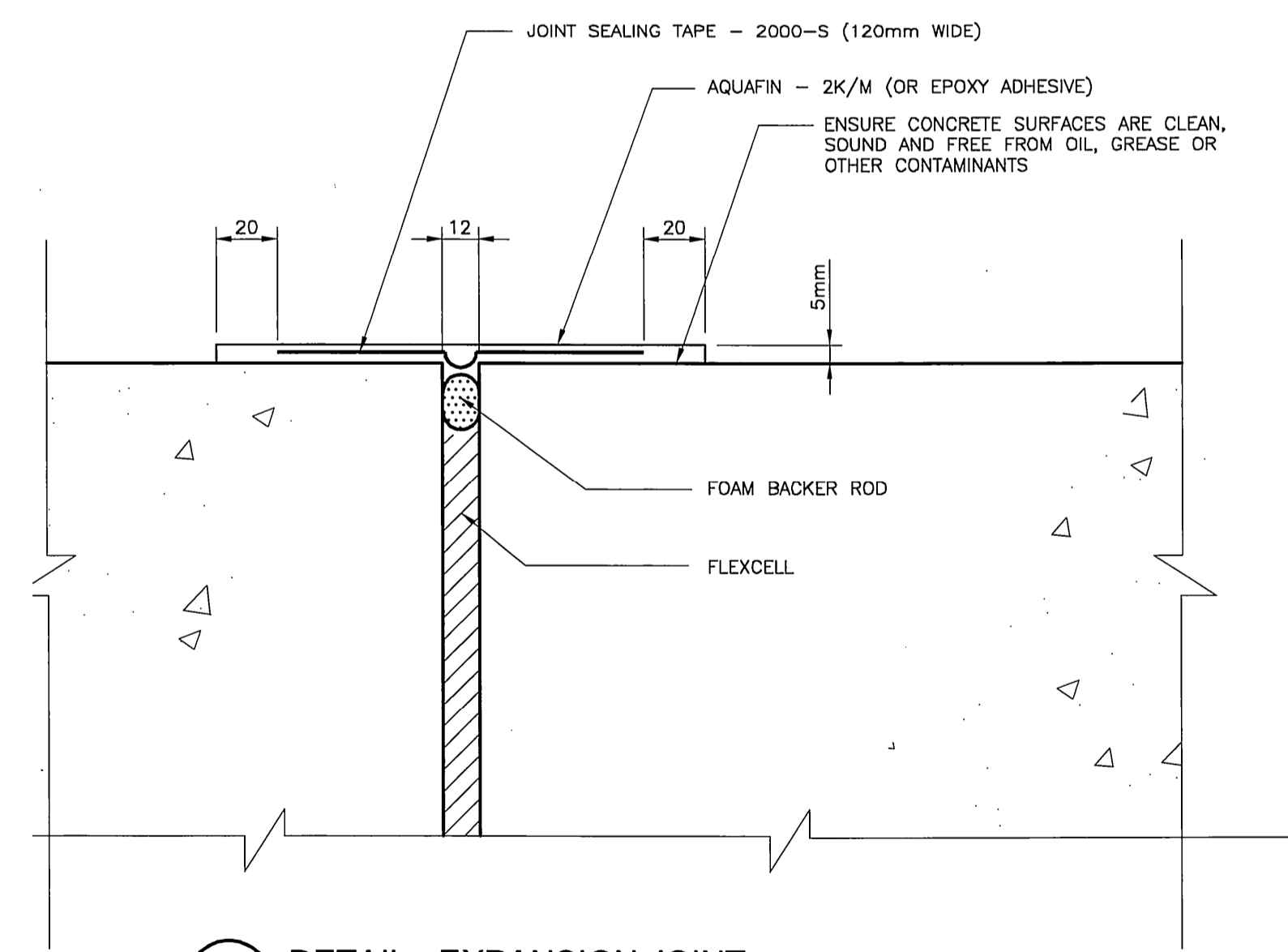
3 DETAIL
SCALE: 1:20



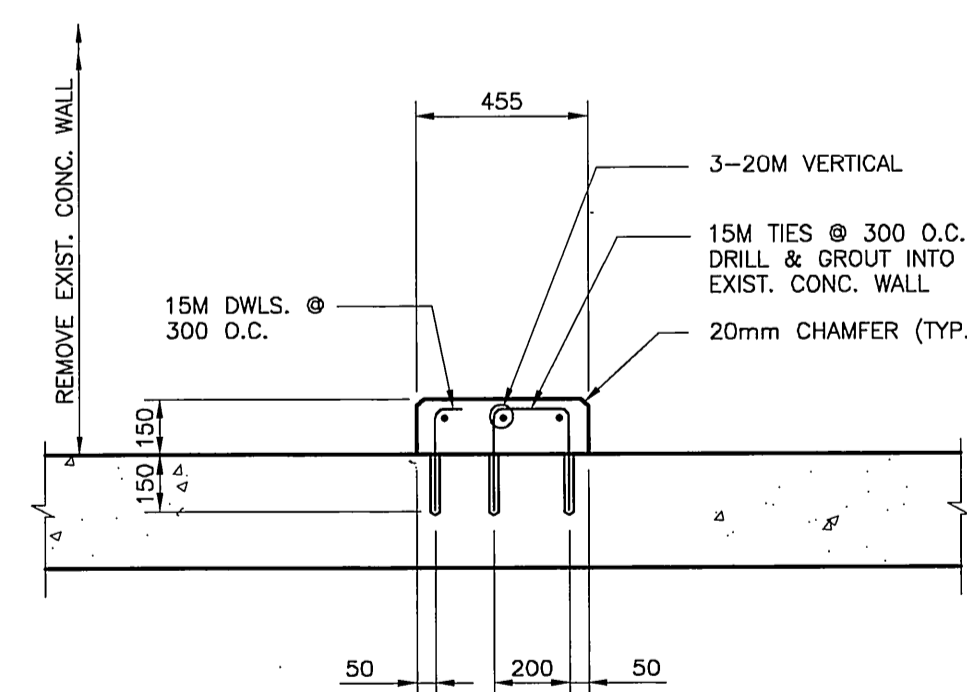
4 DETAIL
SCALE: 1:20



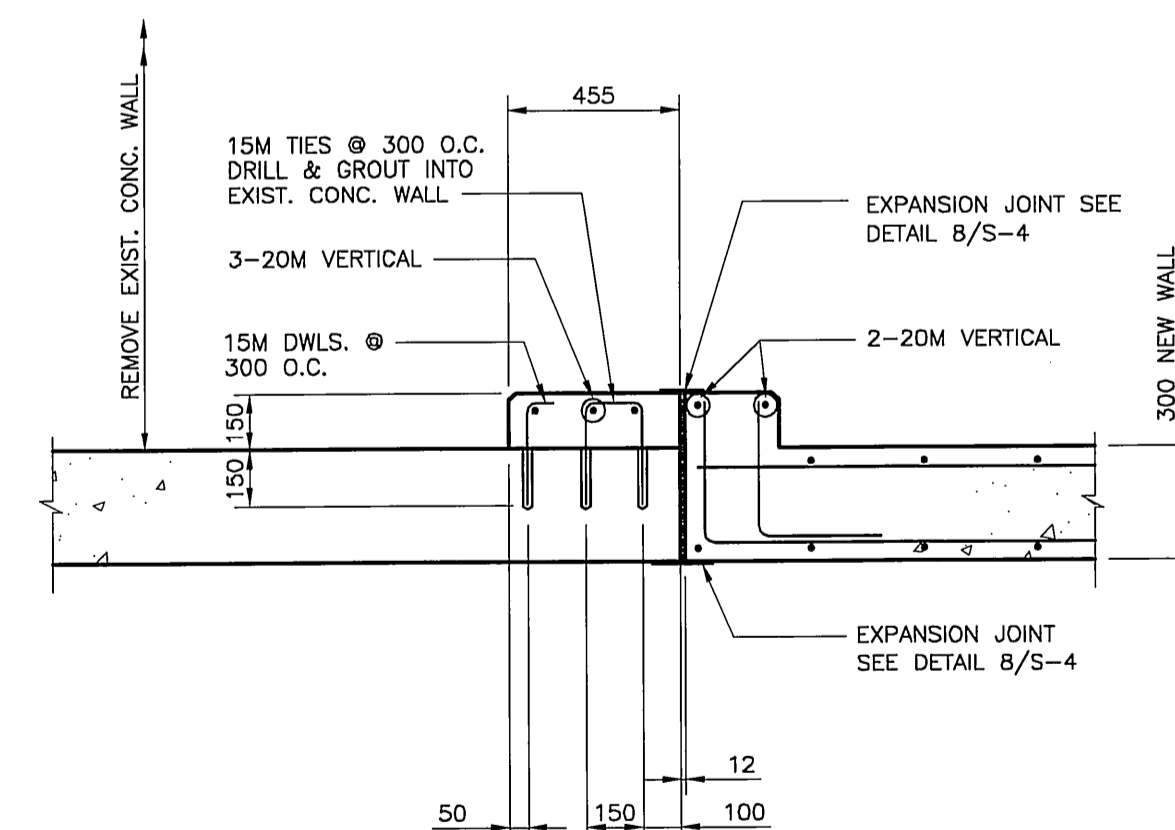
9 SECTION
SCALE: 1:50



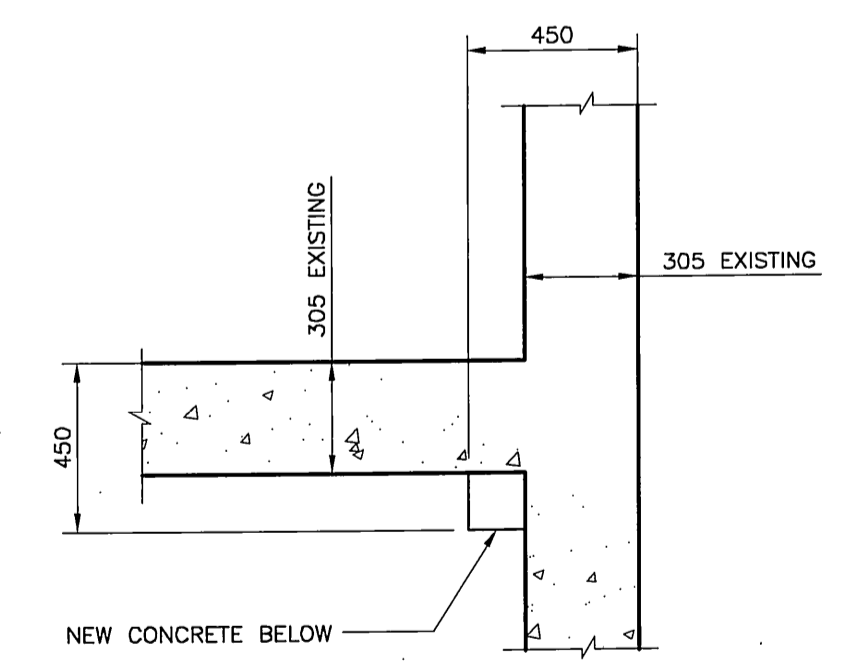
8 DETAIL - EXPANSION JOINT
SCALE: HALF FULL SIZE



7 DETAIL
SCALE: 1:20



6 DETAIL
SCALE: 1:20



5 DETAIL
SCALE: 1:20

EXPANSION JOINT NOTES

1. INSTALL SEALING TAPE IN STRICT ACCORDANCE WITH MANUFACTURER'S INSTRUCTIONS.
2. ENSURE SEALING TAPE IS CONTINUOUS AT CORNERS.
3. IF TAPE SPLICES ARE NECESSARY, OVERLAP A MINIMUM 100mm USING AQUAFIN - 2K/M OR 50mm USING THERMAL WELDING.
4. INSTALL SEALING TAPE AFTER ALL CONCRETE IS POURED AND HAS CURED FOR MIN. 3 DAYS.

B.M. ELEV.	FIELD BOOK #:	D.H. ROBBINS ENGINEERING CONSULTING STRUCTURAL ENGINEERS 114 Ruttan Bay, Winnipeg, Manitoba, R3T 0H6	
POSTED TO LBIS		DESIGNED BY: DHR	CHECKED BY: TW
		DRAWN BY: DLL	APPROVED BY: K. ZUREK
3 GENERAL REVISIONS	05/01/17	HOR. SCALE AS NOTED	
2. GENERAL REVISIONS	04/12/13	VERTICAL AS NOTED	
1. GENERAL REVISIONS	04/11/02	RELEASED FOR CONSTRUCTION	K. ZUREK
NO. REVISIONS	DATE	BY	DATE
			2004 03 04
			2005 02 10

ORIGINAL SIGNED BY D.H. ROBBINS
05/02/09

THE CITY OF WINNIPEG
WATER AND WASTE DEPARTMENT

2005 MAGER DRIVE WASTEWATER PUMPING STATION EXPANSION
STRUCTURAL REINFORCING
EXPANSION JOINT DETAILS
MISC. CONC. DETAILS

SHEET 5 OF 12
CONSULTANT DRAWING NUMBER 04401-05-S4
CITY DRAWING NUMBER 05553