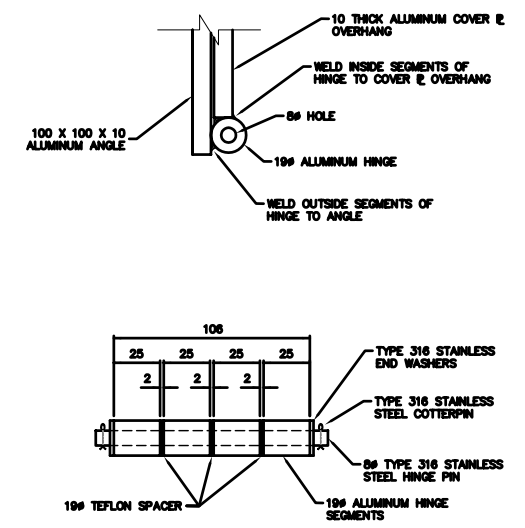
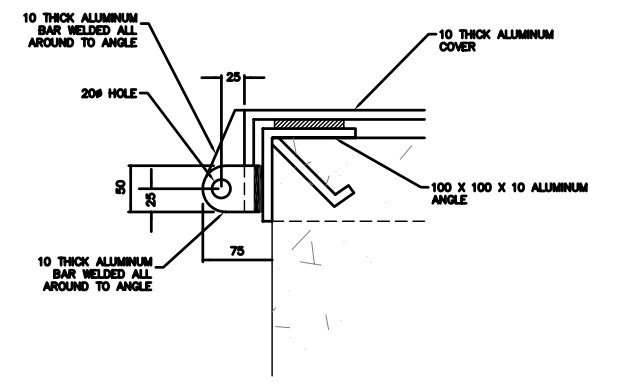


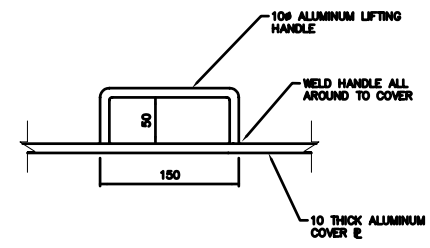
PLAN VIEW
1:10



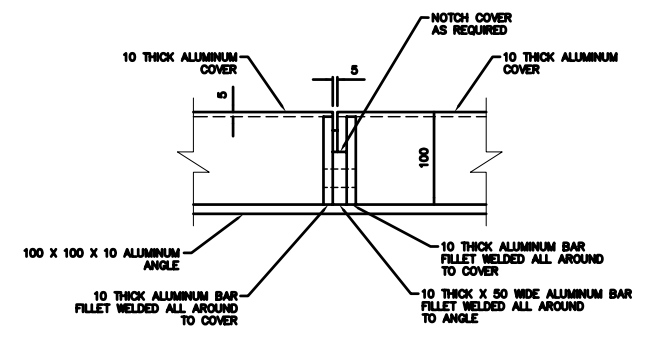
HINGE DETAIL
1:20



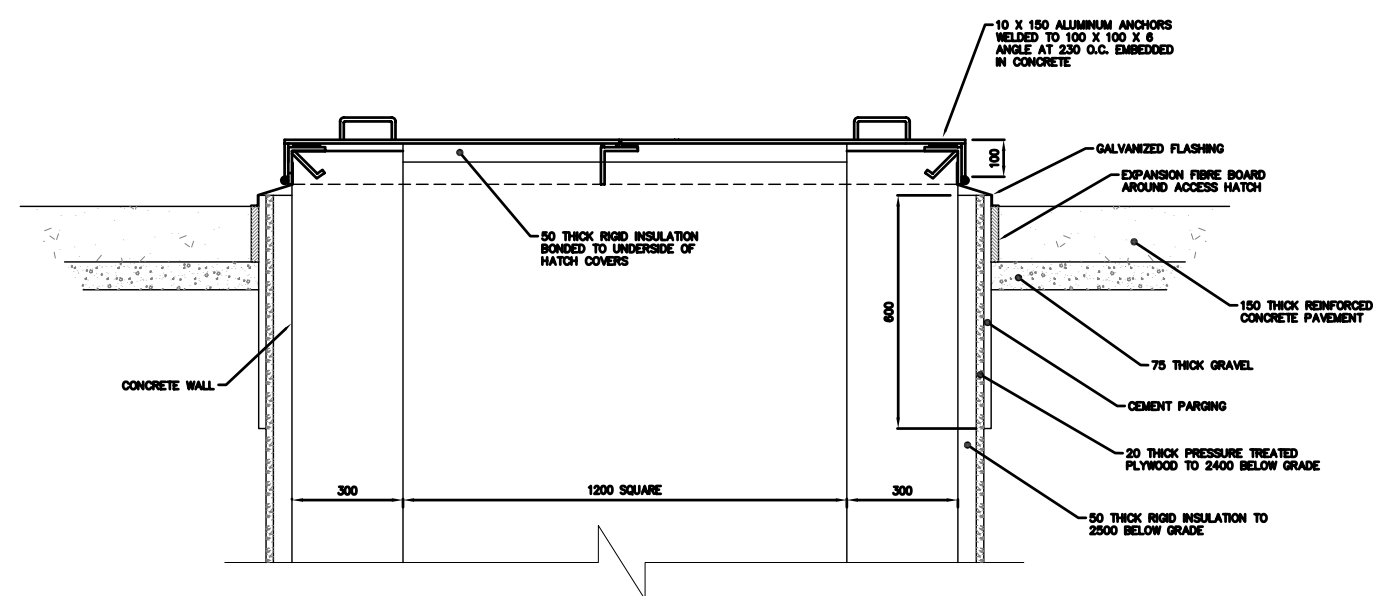
SECTION VIEW



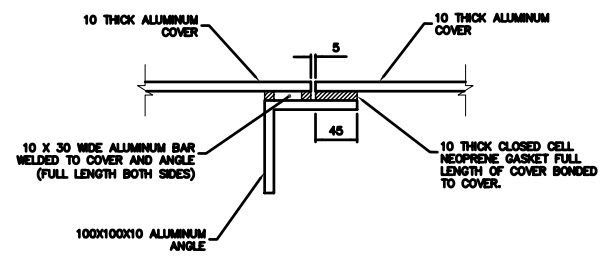
LIFTING HANDLE DETAIL
1:40



FRONT VIEW
COVER LATCH DETAIL
1:40



SECTION A-A
1:10
EQUIPMENT ACCESS HATCH



SECTION B-B
1:40

METRIC
WHOLE NUMBERS INDICATE MILLIMETRES
DECIMALIZED NUMBERS INDICATE METRES

WARNING

IF POWER EQUIPMENT OR EXPLOSIVES ARE TO BE USED FOR EXCAVATION ON THIS PROJECT THE CONTRACTOR LOCATION OF EXCAVATION.
1) NOTIFY THE GAS COMPANY OF THE PROPOSED LOCATION OF EXCAVATION.
2) TAKE PRECAUTION TO AVOID DAMAGE TO GAS COMPANY INSTALLATIONS.
SEE PROVINCIAL REGULATION 210/72 FOR DETAILS

B.M. ELEV.	FIELD BOOK #	CITY OF WINNIPEG WATER AND WASTE ENGINEERING DIVISION		ENGINEER'S SEAL	THE CITY OF WINNIPEG WATER AND WASTE DEPARTMENT				
							POSTED TO LBIS	DESIGNED BY TW CHECKED BY TW DRAWN BY CJH APPROVED BY KZ HOR. SCALE 1:50 VERTICAL RELEASED FOR CONSTRUCTION DATE 2005 02 15	ORIGINAL SIGNED BY K.R. ZUREK 05/02/10
NO.	REVISIONS	DATE	BY	DATE	2005 02 15	DATE	2005 02 15	BID OPPORTUNITY: 52-2005 FILENAME: MAGER_PS_DWG1_DWG2.dwg PLOT DATE: 2005 02 15	