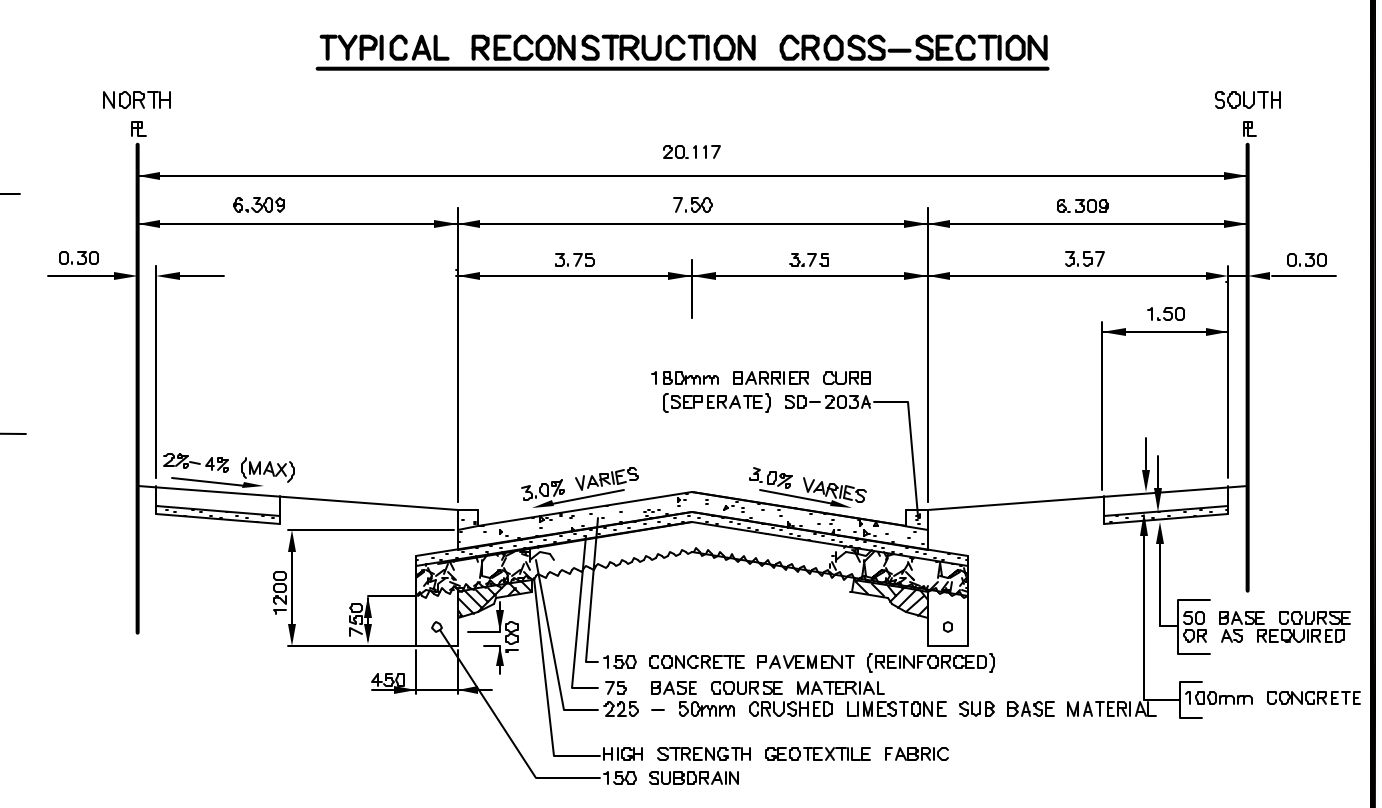


WARNING
 IF POWER EQUIPMENT OR EXPLOSIVES ARE TO BE USED FOR EXCAVATION ON THIS PROJECT THE CONTRACTOR MUST:
 1) OBTAIN CLEARANCE FROM THE GAS UTILITY PRIOR TO EXCAVATION.
 2) TAKE PRECAUTION TO AVOID DAMAGE TO GAS UTILITY INSTALLATIONS.
 SEE PROVINCIAL REGULATION 210/72 FOR DETAILS

- CONSTRUCTION NOTES**
- 1) CURB REPLACEMENT AS DIRECTED BY THE CONTRACT ADMINISTRATOR
 - 2) ALL STREET RADIUS CURB UNDER 15M RADIUS SHALL BE REPLACED AS MODIFIED OR AS DIRECTED BY THE CONTRACT ADMINISTRATOR
 - 3) PAVEMENT REPAIRS SHOWN ARE ONLY A REPRESENTATIVE SAMPLE OF THE TENDERED QUANTITIES.
 - 4) ASPHALT TIE-INS TO BE DETERMINED IN THE FIELD BY THE CONTRACT ADMINISTRATOR.
 - 5) SIDEWALK REPLACEMENT AS DIRECTED BY THE CONTRACT ADMINISTRATOR.
 - 6) BOULEVARD REPLACEMENT AS DIRECTED BY THE CONTRACT ADMINISTRATOR.

CONSTRUCT NEW APPROACHES (SD-235) WITH 40mm LIP CURB (SD-202B) AS DIRECTED BY CONTRACT ADMINISTRATOR. TYPICAL.

ALL CHAINAGES ARE MEASURED ALONG THE CENTRE LINE OF DAHLIA AVENUE



150 WM	WATERMAIN	150 WM	HYDRO	150 WM	WATERMAIN	150 WM	LOCATION APPROVED	B.M.	GBM 25-001
300 LDS	HYDRANT	300 LDS	MTS	300 LDS	SEWER	300 LDS	UNDERGROUND STRUCTURES	ELEV.	231.460
○	VALVE	●	CONCRETE	○	SOUTH/EAST WALK	○	DATE		
○	MANHOLE	●	LIMIT OF ASPHALT	○	NORTH/WEST WALK	○	NOTE:		
□	CATCH BASIN	■	CURB RENEWAL	○	SOUTH/EAST R	○	LOCATION OF UNDERGROUND STRUCTURES AS SHOWN ARE BASED ON THE BEST INFORMATION AVAILABLE, BUT NO GUARANTEE IS GIVEN THAT ALL EXISTING UTILITIES ARE SHOWN OR THAT THE GIVEN LOCATIONS ARE EXACT. CONFIRMATION OF EXISTENCE AND EXACT LOCATION OF ALL SERVICES MUST BE OBTAINED FROM THE INDIVIDUAL UTILITIES BEFORE PROCEEDING WITH CONSTRUCTION.		
△	CURB INLET	▲	PROPERTY LINE	○	NORTH/WEST R	○			
☆	WOOD POLES	★	SURVEY BAR	○	PROFILE	○			
○	LAMP STANDARD	●	CURB STOP	○	SOUTH/EAST GUTTER	○			
○	GAS	●	RAMP CURB	○	NORTH/WEST GUTTER	○			
EXISTING	LEGEND - PLAN	PROPOSED	EXISTING	LEGEND - PLAN	PROPOSED	EXISTING	LEGEND - PROFILE	PROPOSED	

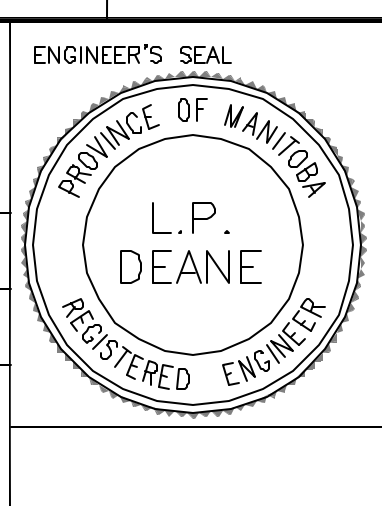
NO.	REVISIONS	DATE	BY

ENGINEERING DIVISION
 TECHNOLOGY SERVICES BRANCH
 106 - 1155 PACIFIC AVE

DESIGNED BY: C.T.
 CHECKED BY: D.K.
 DRAWN BY: C.T.
 APPROVED BY: T.M.C.

HOR. SCALE: 1 : 250
 VERTICAL: 1 : 10

DATE: 2005/02/23



THE CITY OF WINNIPEG
 PUBLIC WORKS DEPARTMENT

DAHLIA AVENUE
 FROM WEST LIMIT TO SINCLAIR STREET
 RECONSTRUCTION AND RELATED WORKS
 FROM STA. 3+30 TO STA. 4+33.15

CITY DRAWING NUMBER: SE-05-17
 SHEET 3 OF 3

3