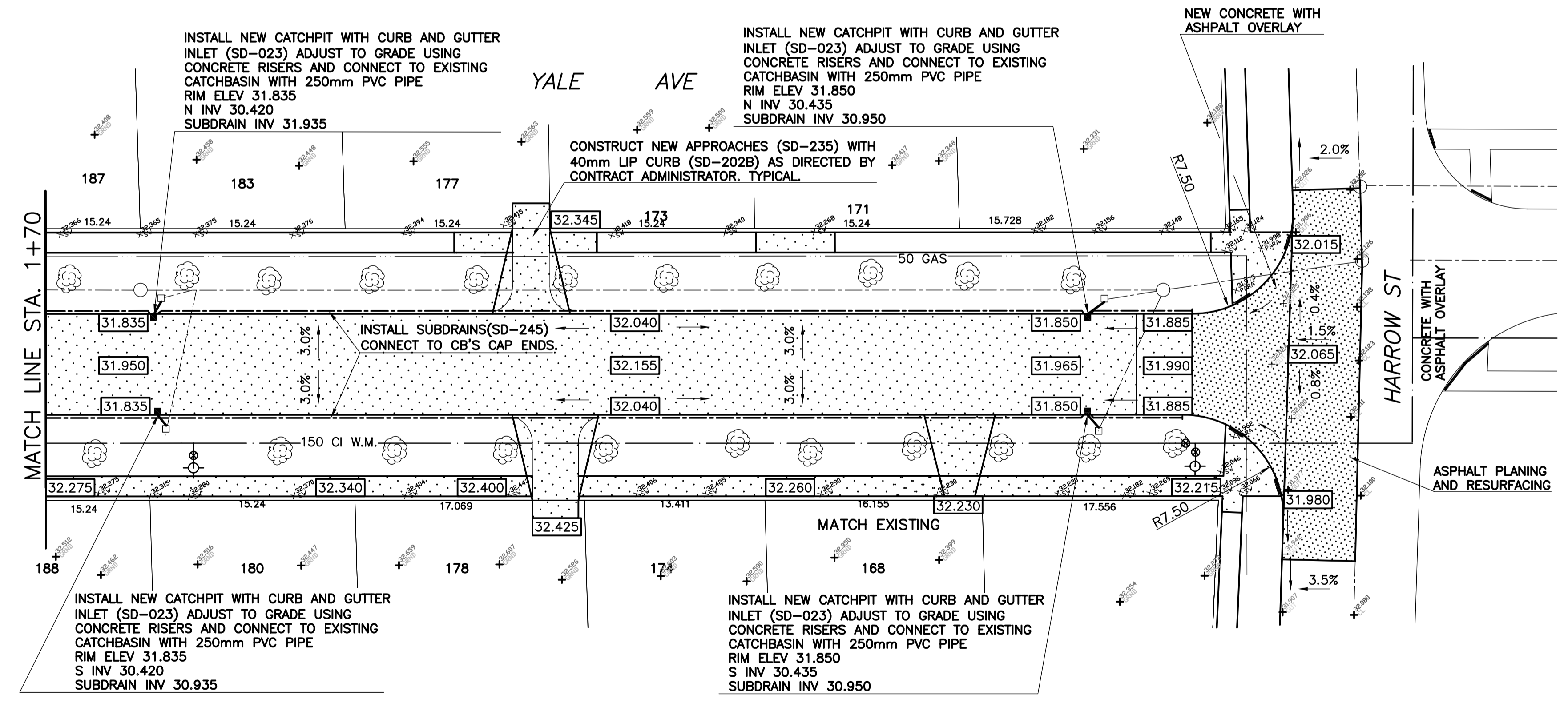
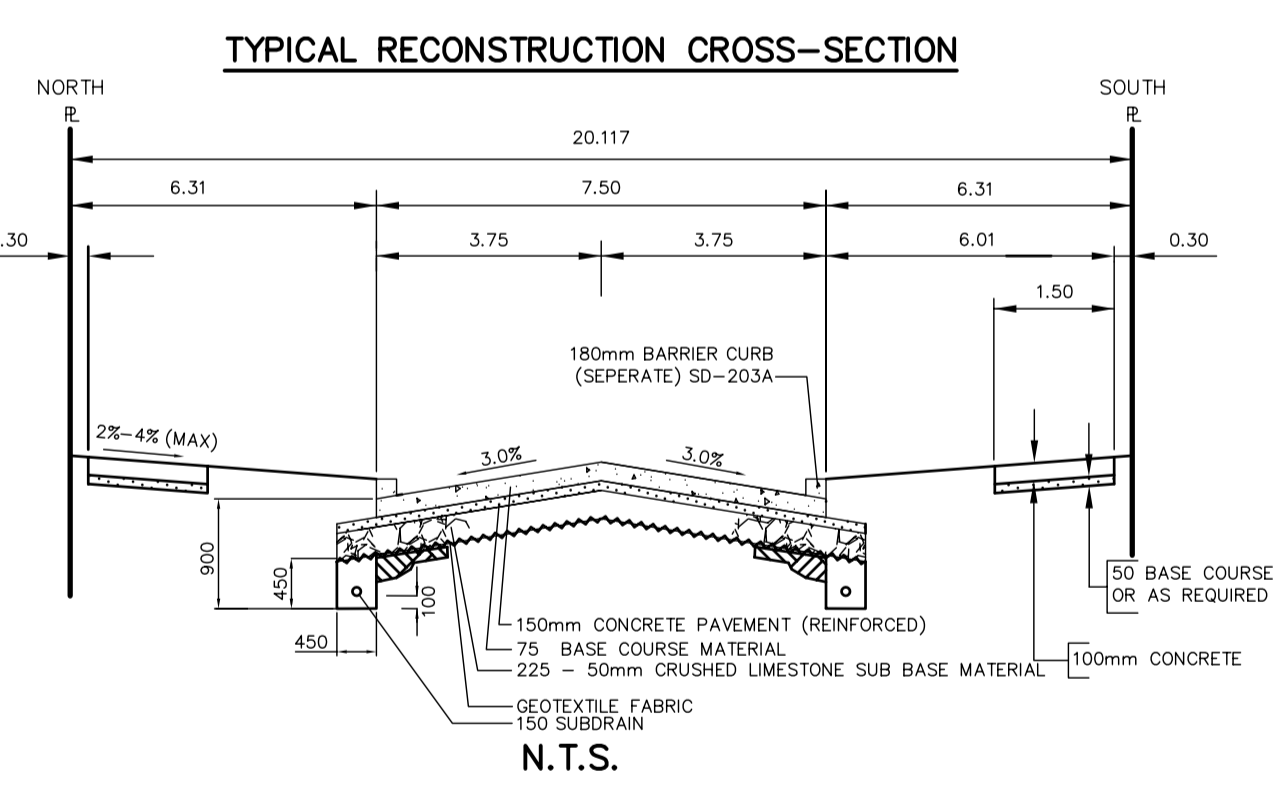
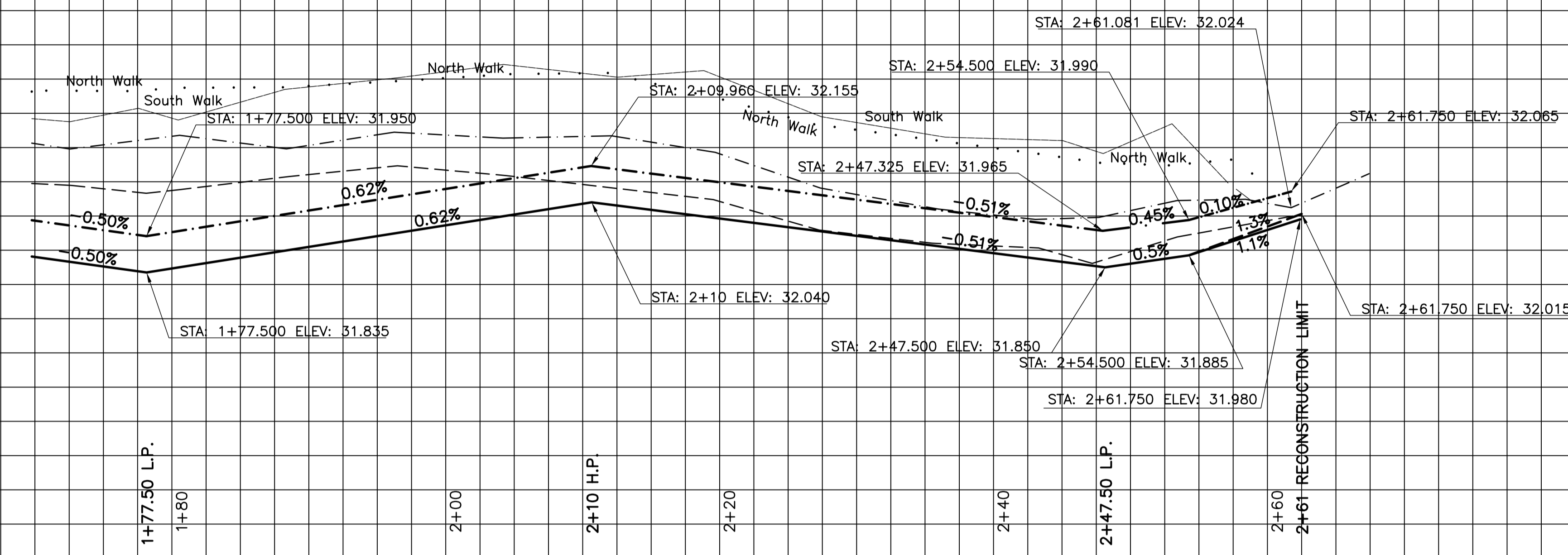


33.100
33.000
32.900
32.800
32.700
32.600
32.500
32.400
32.300
32.200
32.100
32.000
31.900
31.800
31.700

33.100
33.000
32.900
32.800
32.700
32.600
32.500
32.400
32.300
32.200
32.100
32.000
31.900
31.800
31.700



- ### CONSTRUCTION NOTES
- 1) CURB REPLACEMENT AS DIRECTED BY THE CONTRACT ADMINISTRATOR
 - 2) ALL STREET RADIUS CURB UNDER 15M RADIUS SHALL BE REPLACED AS MODIFIED OR AS DIRECTED BY THE CONTRACT ADMINISTRATOR
 - 3) PAVEMENT REPAIRS SHOWN ARE ONLY A REPRESENTATIVE SAMPLE OF THE TENDERED QUANTITIES
 - 4) ASPHALT TIE-INS TO BE DETERMINED IN THE FIELD BY THE CONTRACT ADMINISTRATOR.
 - 5) SIDEWALK REPLACEMENT AS DIRECTED BY THE CONTRACT ADMINISTRATOR.
 - 6) BOULEVARD REPLACEMENT AS DIRECTED BY THE CONTRACT ADMINISTRATOR.
 - 7) LDS INSTALLED USING TRENCHLESS INSTALLATION

WARNING

IF POWER EQUIPMENT OR EXPLOSIVES ARE TO BE USED FOR EXCAVATION ON THIS PROJECT THE CONTRACTOR MUST:

- 1) OBTAIN CLEARANCE FROM THE GAS UTILITY PRIOR TO EXCAVATION.
- 2) TAKE PRECAUTION TO AVOID DAMAGE TO GAS UTILITY INSTALLATIONS.

SEE PROVINCIAL REGULATION 210/72 FOR DETAILS

ALL CHAINAGES ARE MEASURED ALONG THE CENTER LINE OF YALE AVENUE

METRIC
WHOLE NUMBERS INDICATE MILLIMETRES
DECIMALIZED NUMBERS INDICATE METRES

BID OPPORTUNITY NO.54-2005

WATERMAIN	150 WM	HYDRO	150 WM
HYDRANT		MTS	300 LDS
VALVE		CONCRETE	
LAND DRAINAGE SEWER	300 LDS	LIMIT OF ASPHALT	
COMBINED SEWER	250 CS	CURB RENEWAL	
MANHOLE		ASPHALT	
CATCH BASIN		ELEVATIONS	31.000
CURB INLET		PROPERTY LINE	
WOOD POLES		SURVEY BAR	
LAMP STANDARD		CURB STOP	
GAS		RAMP CURB	
EXISTING	LEGEND - PLAN	PROPOSED	EXISTING
	LEGEND - PROFILE	PROPOSED	EXISTING

LOCATION APPROVED UNDERGROUND STRUCTURES

NO. REVISIONS DATE BY

NOTE:
LOCATION OF UNDERGROUND STRUCTURES AS SHOWN ARE BASED ON THE BEST INFORMATION AVAILABLE, BUT NO GUARANTEE IS GIVEN THAT ALL EXISTING UTILITIES ARE SHOWN OR THAT THE GIVEN LOCATIONS ARE EXACT. CONFIRMATION OF EXISTENCE AND EXACT LOCATION OF ALL SERVICES MUST BE OBTAINED FROM THE INDIVIDUAL UTILITIES BEFORE PROCEEDING WITH CONSTRUCTION.

DESIGNED BY: A.S.F.
DRAWN: R.D.
HOR. SCALE: 1 : 250
VERTICAL: 1 : 10
DATE: 2005/02/03

CHECKED BY: D.K.
APPROVED BY: T.M.C.

ENGINEER'S SEAL
L.P. DEANE
REGISTERED ENGINEER

ORIGINAL SIGNED BY
L.P. DEANE APRIL 14/05

THE CITY OF WINNIPEG
PUBLIC WORKS DEPARTMENT

YALE AVENUE
FROM GUELPH STREET TO HARROW STREET
RECONSTRUCTION AND RELATED WORKS
FROM STA. 1+70 TO STA. 2+61

CITY DRAWING NUMBER: SE-05-20
SHEET: 2 OF 2

2