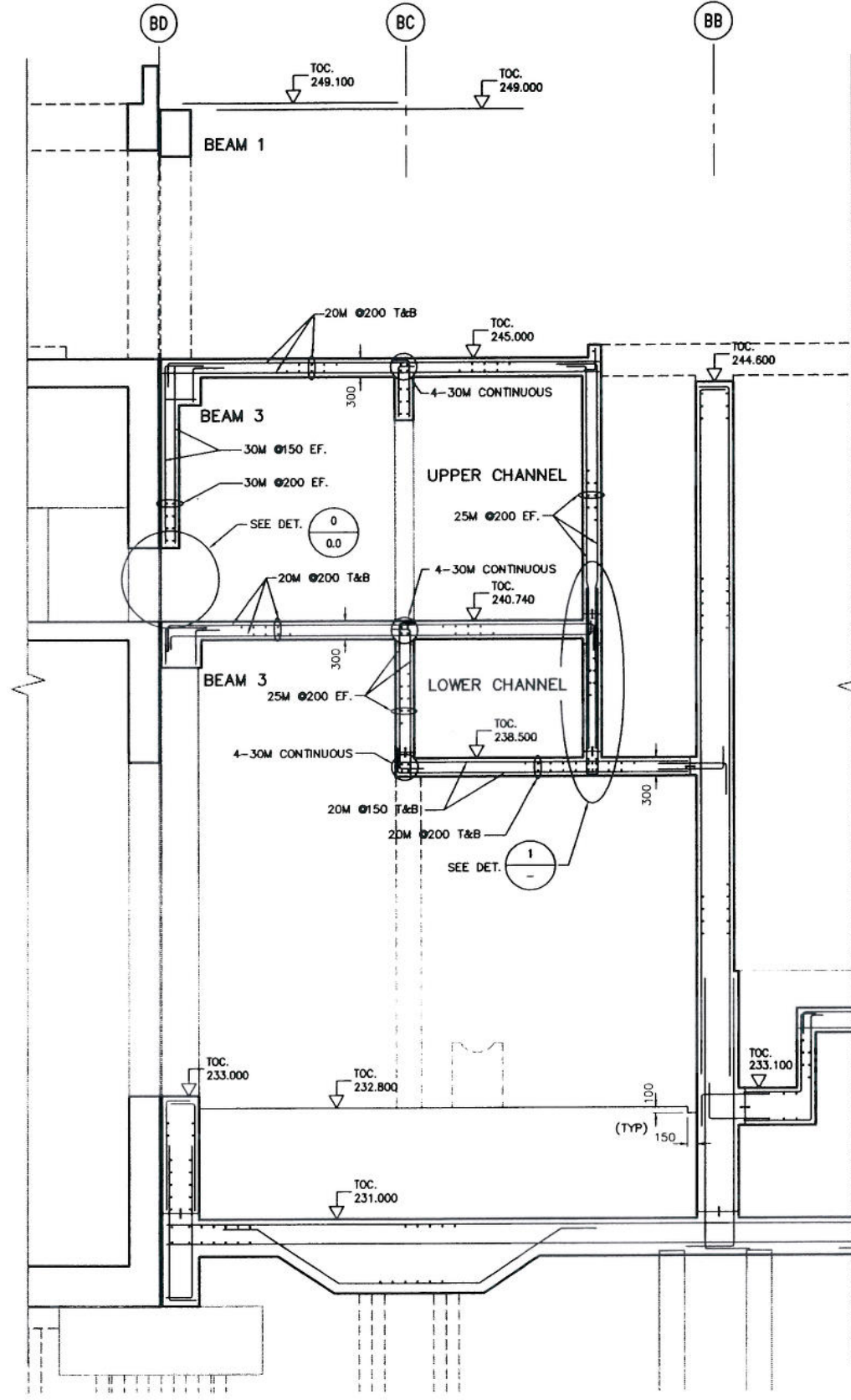
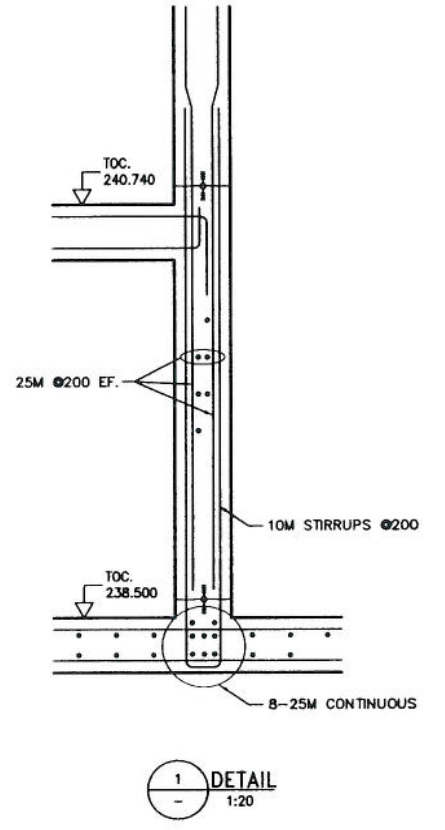


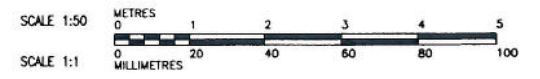
J SECTION
S0101 1:50



K SECTION
S0101 1:50



1 DETAIL
1:20



<table border="1"> <tr><td>B.M. ELEV.</td><td></td></tr> <tr><td> </td><td></td></tr> <tr><td> </td><td></td></tr> <tr><td> </td><td></td></tr> <tr><td>NO. REVISIONS</td><td>DATE BY</td></tr> </table>	B.M. ELEV.								NO. REVISIONS	DATE BY	 	ENGINEER'S SEAL PRELIMINARY NOT FOR CONSTRUCTION CONSULTANT DRAWING NO. WF-S0208	THE CITY OF WINNIPEG WATER AND WASTE DEPARTMENT ENGINEERING DIVISION WATER TREATMENT PLANT FILTRATION STRUCTURAL FILTRATION AREA SECTION	CITY FILE NUMBER SHEET <input checked="" type="checkbox"/> OF CITY DRAWING NUMBER
	B.M. ELEV.													
NO. REVISIONS	DATE BY													
DESIGNED BY DRAWN BY PM SCALE: 1:50	CHECKED BY APPROVED BY RELEASED FOR CONSTRUCTION BY:													
DATE 2005/08/10	DATE													