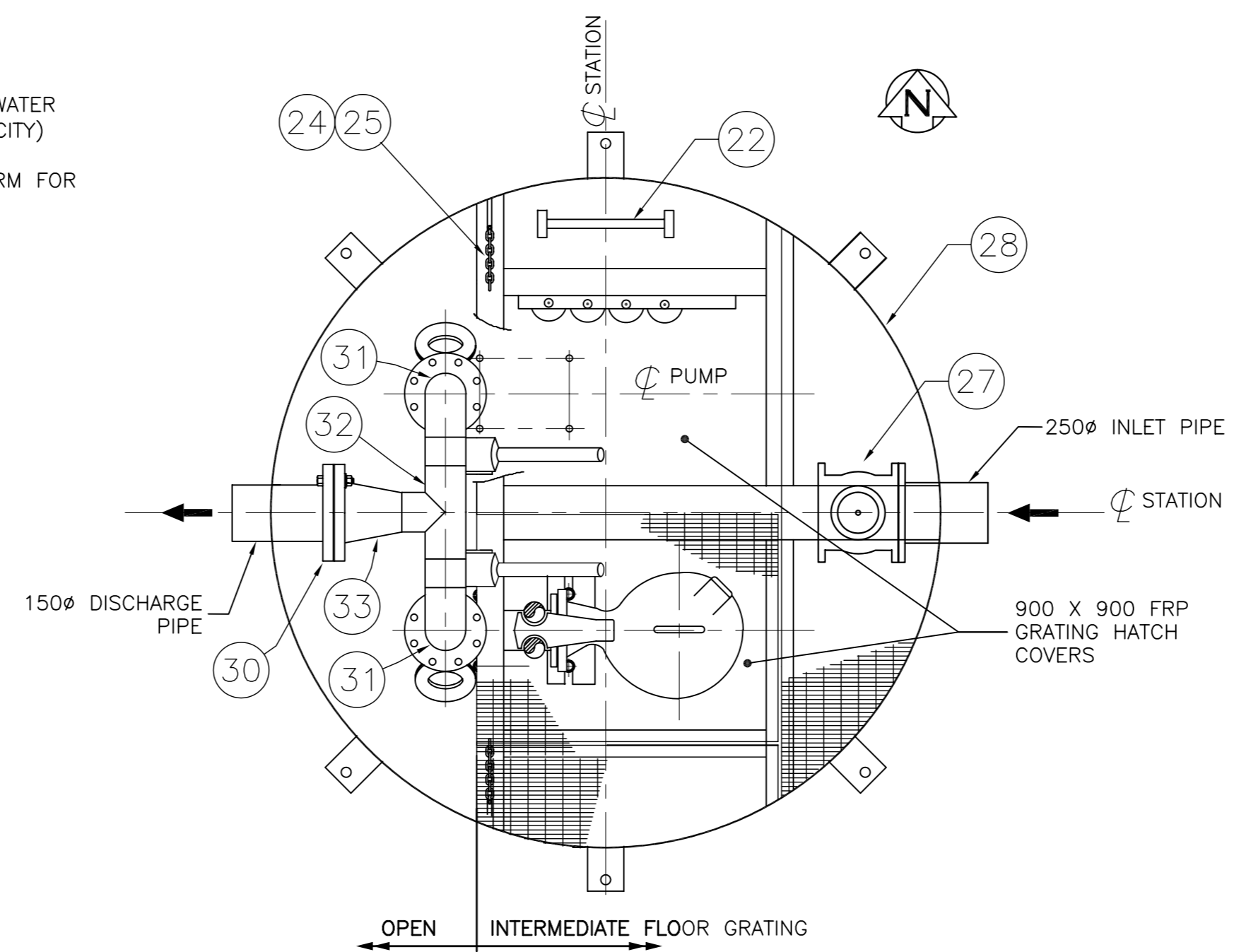


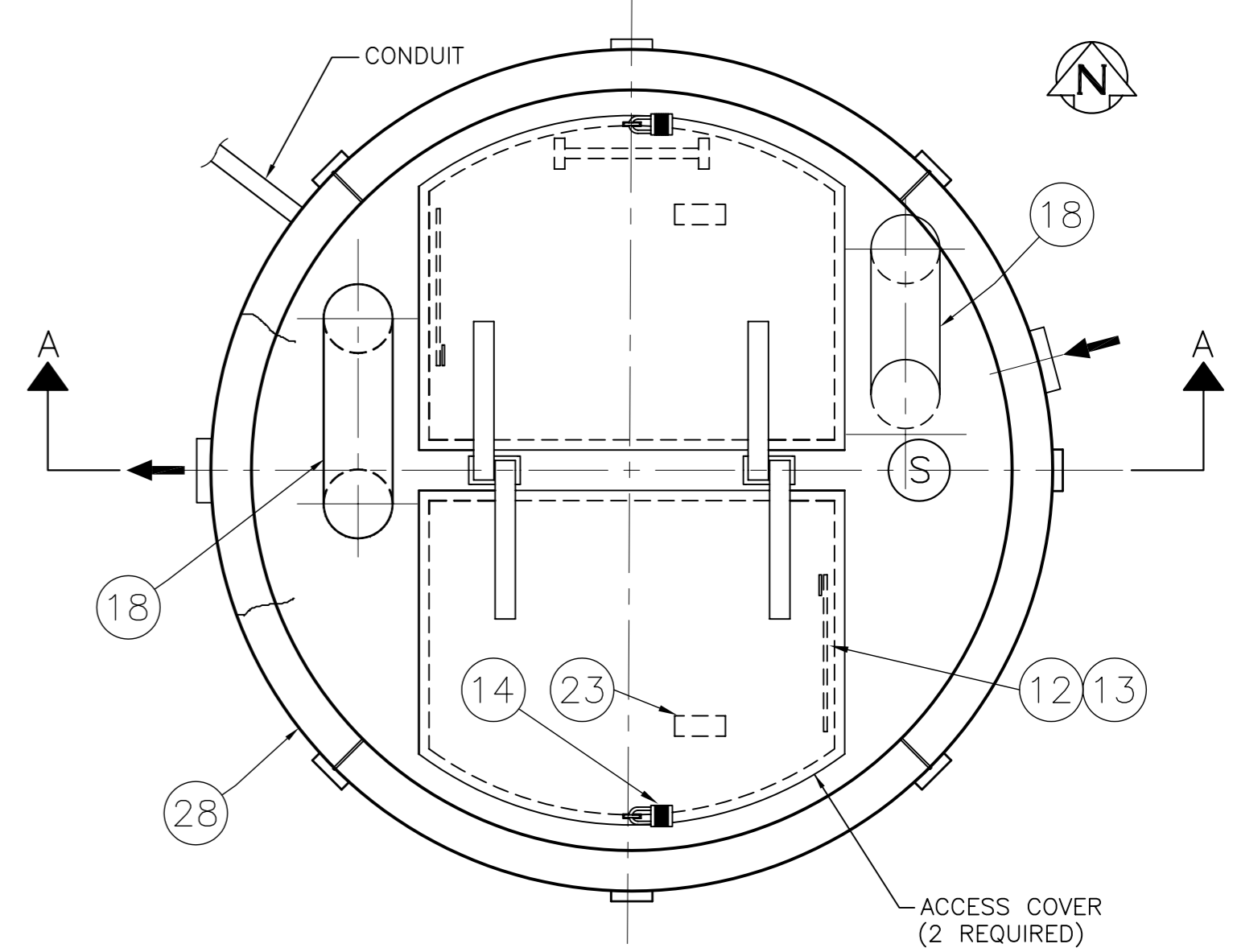
VALVE STEM EXTENSION  
SCALE N.T.S.



SECTION "B"-"B" ELEV 229.500

ITEM	DESCRIPTION	ENDS	QUANTITY
1	SUBMERSIBLE PUMP	-	2
2	PUMP CABLE	-	2
3	PUMP LIFTING CHAIN	-	2
4	CHAIN CONNECTOR ASSEMBLY	-	2
5	100# DISCHARGE BASE ELBOW	-	2
6	100# CHECK VALVE	FL X FL	2
7	100# GATE VALVE	FL X FL	2
8	CHAIN HOOK	-	2
9	LEVEL REGULATOR ENH-10	-	4
10	LEVEL REGULATOR HANGER	-	1
11	UPPER GUIDE BAR HOLDER	-	2
12	COVER STAY	-	2
13	OPEN POSITION LOCKING DEVICE	-	2
14	PADLOCK (1 FOR CONTROL PANEL)	-	3
15	INTERMEDIATE GUIDE BAR HOLDER	-	2
16	-	-	-
17	INTERMEDIATE PLATFORM	FL X FL	1
18	150# SCH 40 GALVANIZED STEEL VENT PIPE WITH 180° RETURN	-	2
19	100# DI PIPING	FL X PE	2
20	GUIDE BAR 50# SCH. 40 GALVANIZED (LOWER)	-	4
21	GUIDE BAR 50# SCH. 40 GALVANIZED (UPPER)	-	4
22	ALUMINUM LADDER	-	1
23	GAS WARNING LABEL	-	2
24	GALVANIZED SAFETY CHAIN 10#	-	1
25	SHACKLE	-	1
26	VALVE STEM EXTENSION	-	1
27	250# CI INLET GATE VALVE W/RISING STEM	FL X FL	1
28	2400# ID FRP SHELL	-	1
29	150# ZINC COATED 24 G# SPIRAL VENT PIPING	-	1
30	150# UNIFLANGE	-	1
31	100# ELBOW	FL X PE	2
32	100# X 100# X 100# DI TEE	PE X PE	1
33	150# X 100# DI REDUCER	PE X FL	1
34	100# REMOVABLE FLANGE	-	4

ITEMS MARKED \* WILL BE PROVIDED BY CITY  
ITEMS MARKED \*\* TO BE RE-USED FROM EXISTING PUMPING STATION



TOP VIEW & ORIENTATION

METRIC  
WHOLE NUMBERS INDICATE MILLIMETRES  
DECIMALIZED NUMBERS INDICATE METRES

**WARNING**

IF POWER EQUIPMENT OR EXPLOSIVES ARE TO BE USED FOR EXCAVATION ON THIS PROJECT THE CONTRACTOR MUST:  
1) NOTIFY THE GAS COMPANY OF THE PROPOSED LOCATION OF EXCAVATION.  
2) TAKE PRECAUTION TO AVOID DAMAGE TO GAS COMPANY INSTALLATIONS.  
SEE PROVINCIAL REGULATION 210/72 FOR DETAILS

- NOTE:
- HINGES FOR ACCESS HATCHES AND HASPS TO BE TYPE 316 STAINLESS STEEL.
  - ALL NUTS AND BOLTS TO BE IN TYPE 316 STAINLESS STEEL.

B.M. ELEV.	FIELD BOOK #	CITY OF WINNIPEG WATER AND WASTE ENGINEERING DIVISION		ENGINEER'S SEAL	<b>THE CITY OF WINNIPEG</b> WATER AND WASTE DEPARTMENT	2005 CRESCENT DRIVE WASTEWATER SEWER AND PUMPING STATION CONSTRUCTION <b>WASTEWATER PUMPING STATION</b> <b>FIBREGLASS REINFORCED PLASTIC OPTION</b> PLANS AND SECTIONS	SHEET 3 OF 9 CITY DRAWING NUMBER <b>05690</b>
POSTED TO LBIS		DESIGNED BY DB	CHECKED BY TW	ORIGINAL SIGNED BY K.R. ZUREK 05/09/29			
		DRAWN BY WKT/CJH	APPROVED BY KZ				
		HOR. SCALE AS	RELEASED FOR CONSTRUCTION				
		VERTICAL SHOWN					
NO. REVISIONS	DATE BY	DATE	2005 09 29	DATE			