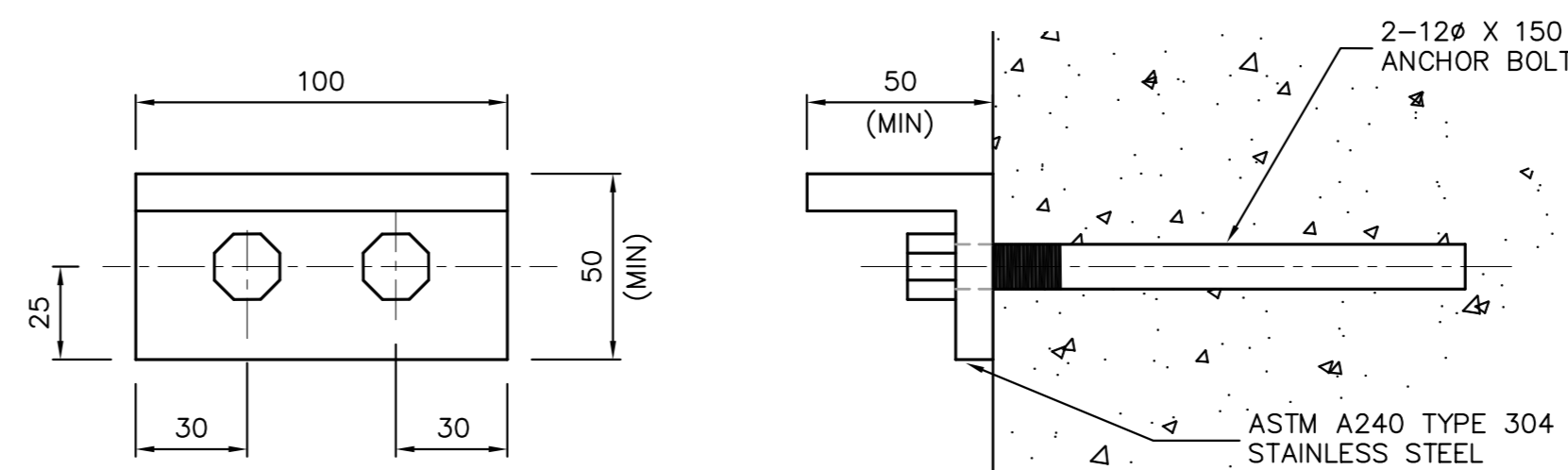
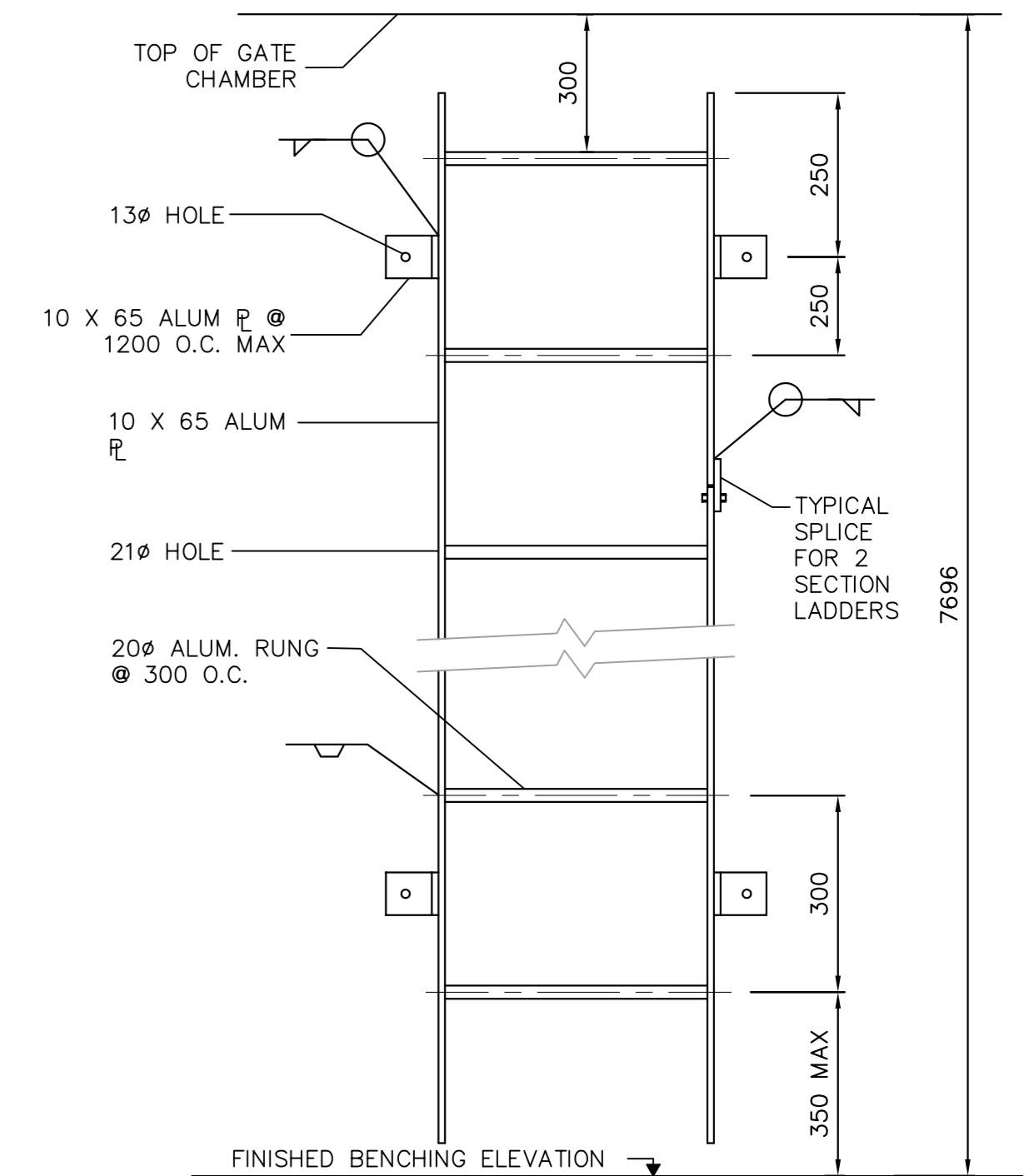
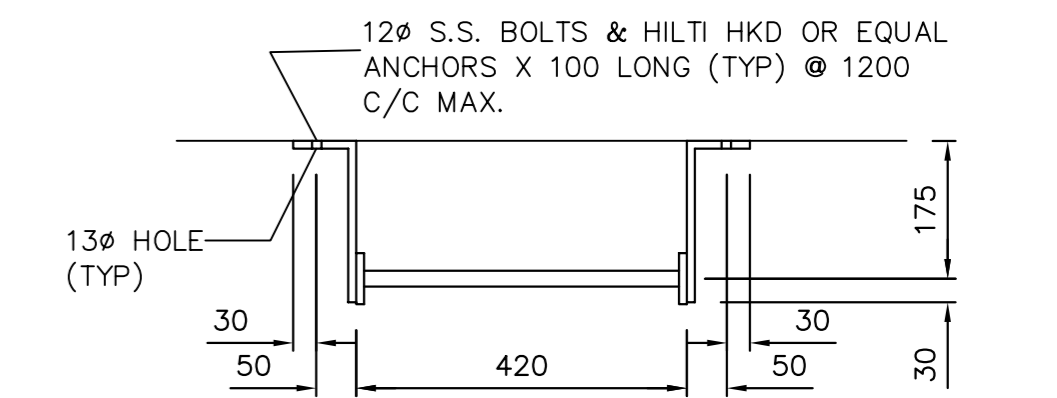


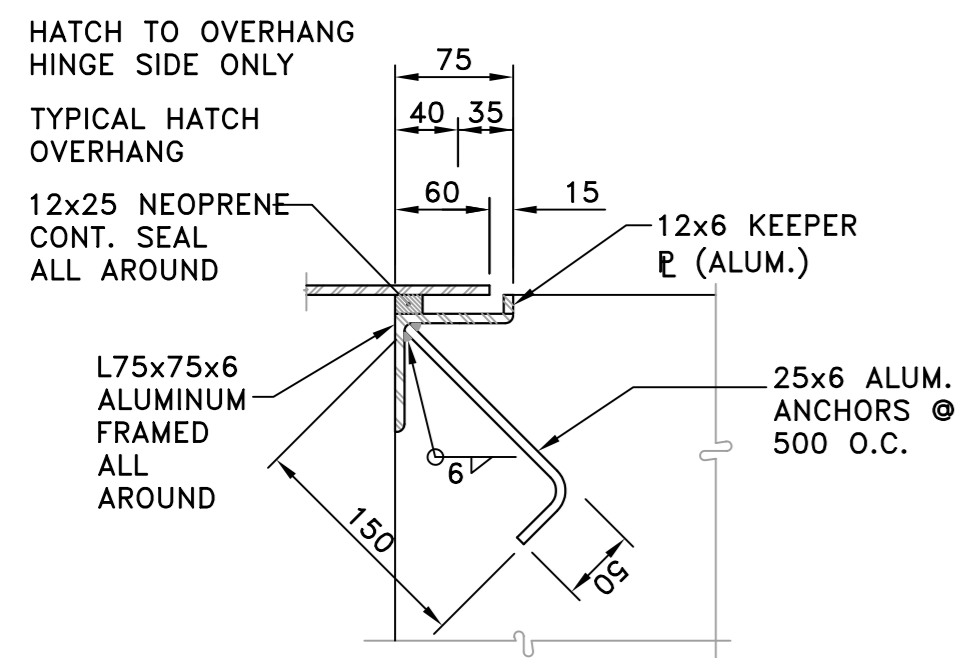
**E SECTION**  
1:5



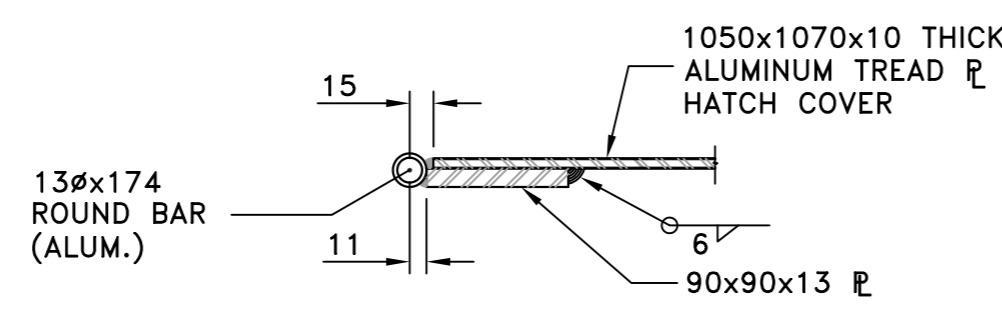
**PLATFORM SUPPORT DETAIL**  
SCALE 1:2



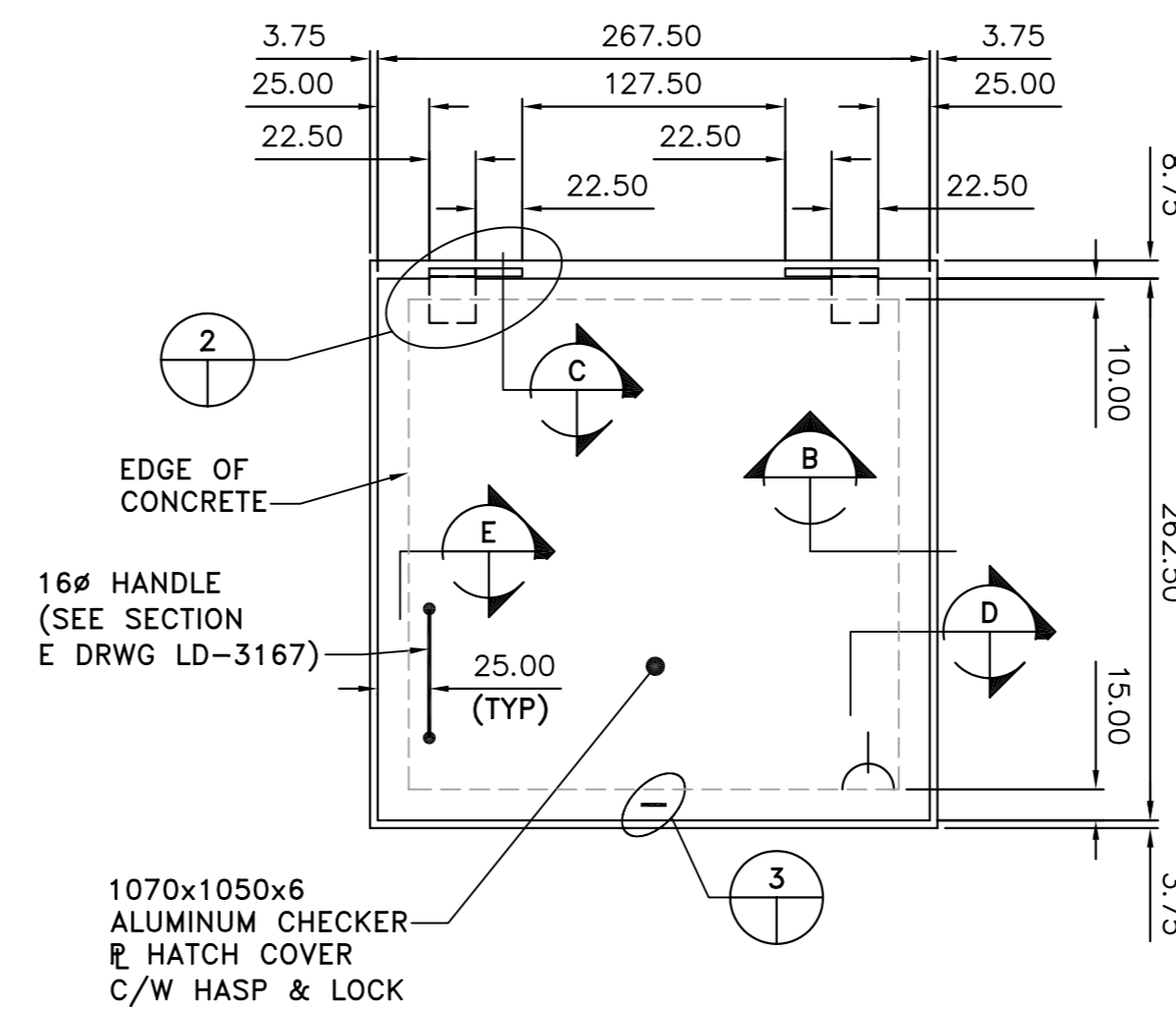
**LADDER DETAIL**  
SCALE 1:10



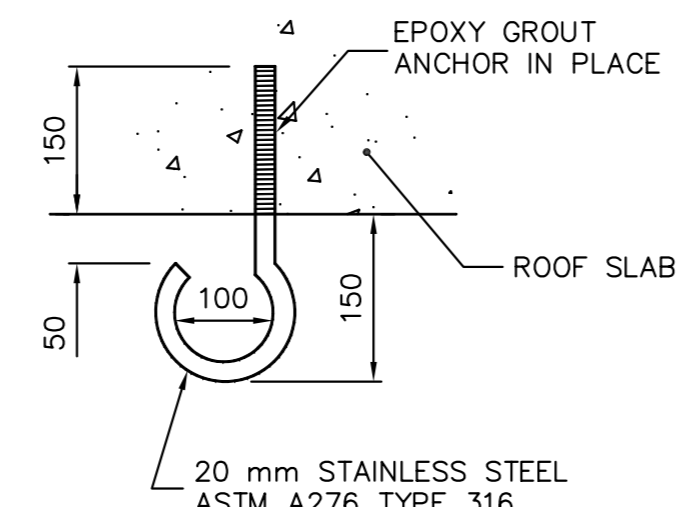
**B HATCH SUPPORT SECTION**  
1:5



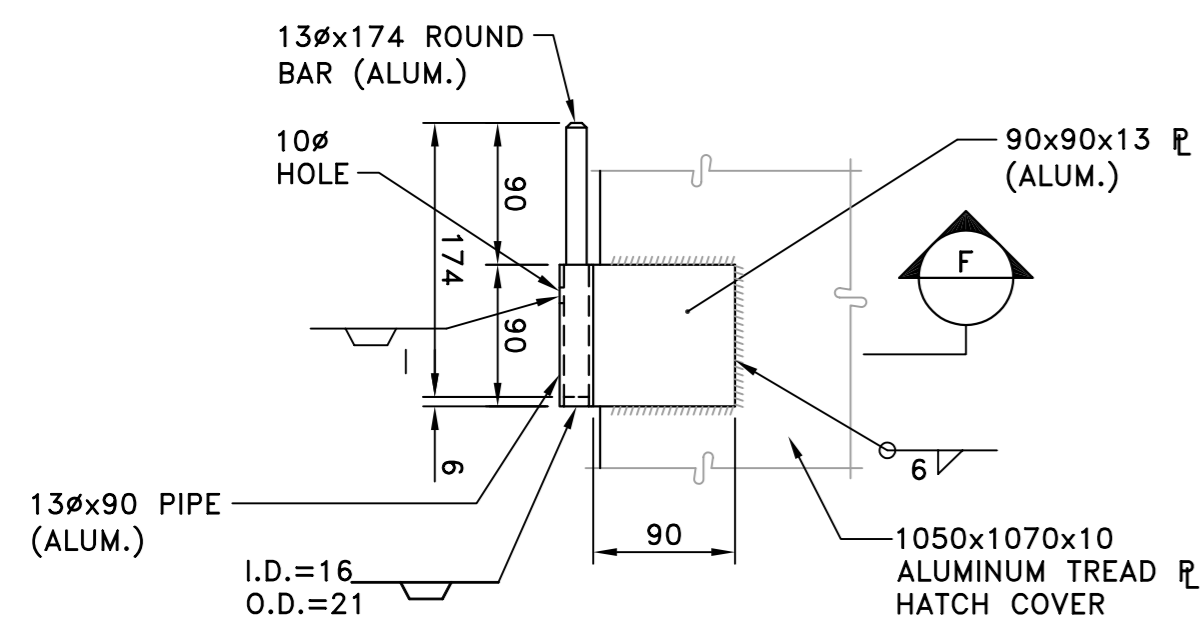
**F SECTION**  
1:5



**1 DETAIL**  
1:15

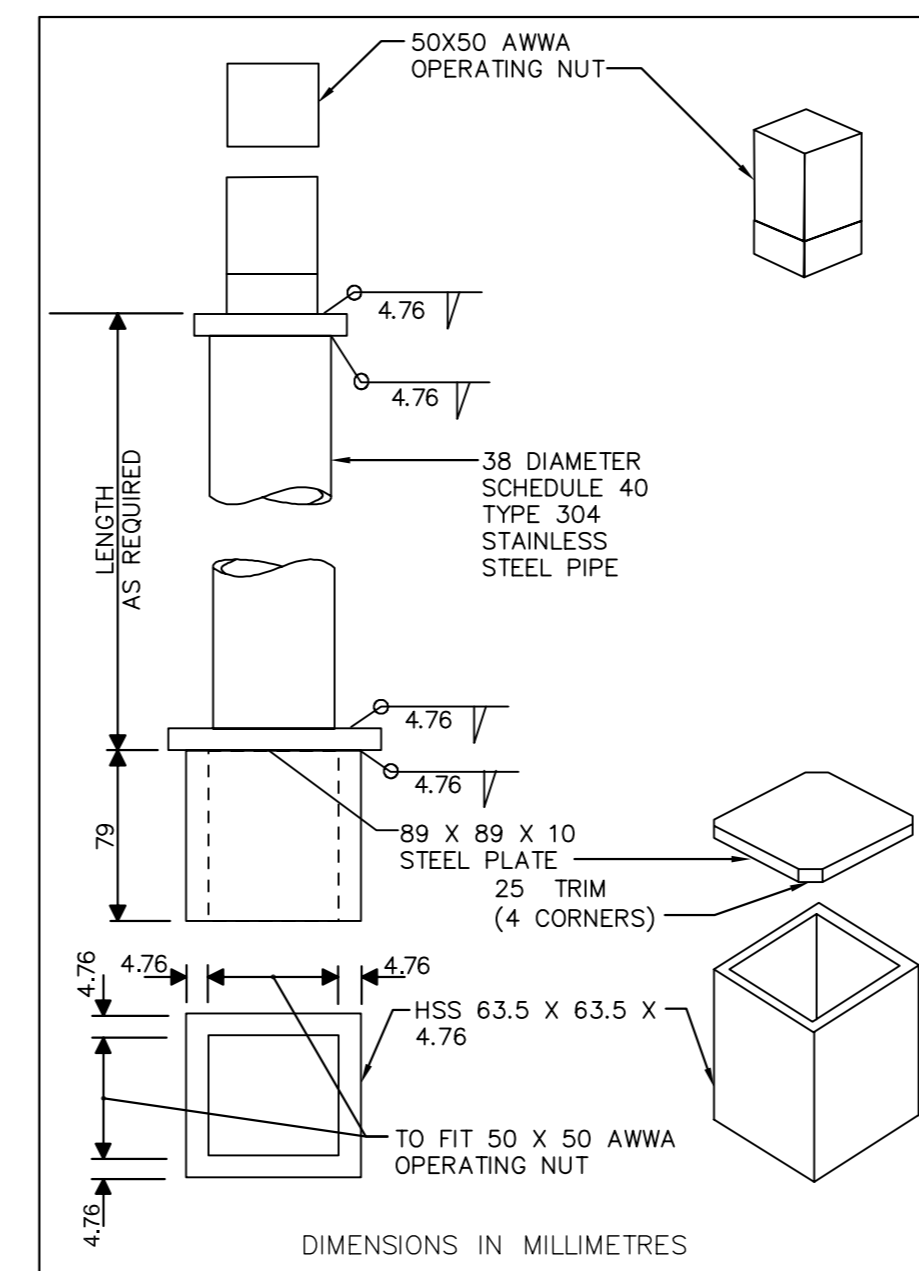


**CHAIN HOOK DETAIL**  
SCALE 1:10

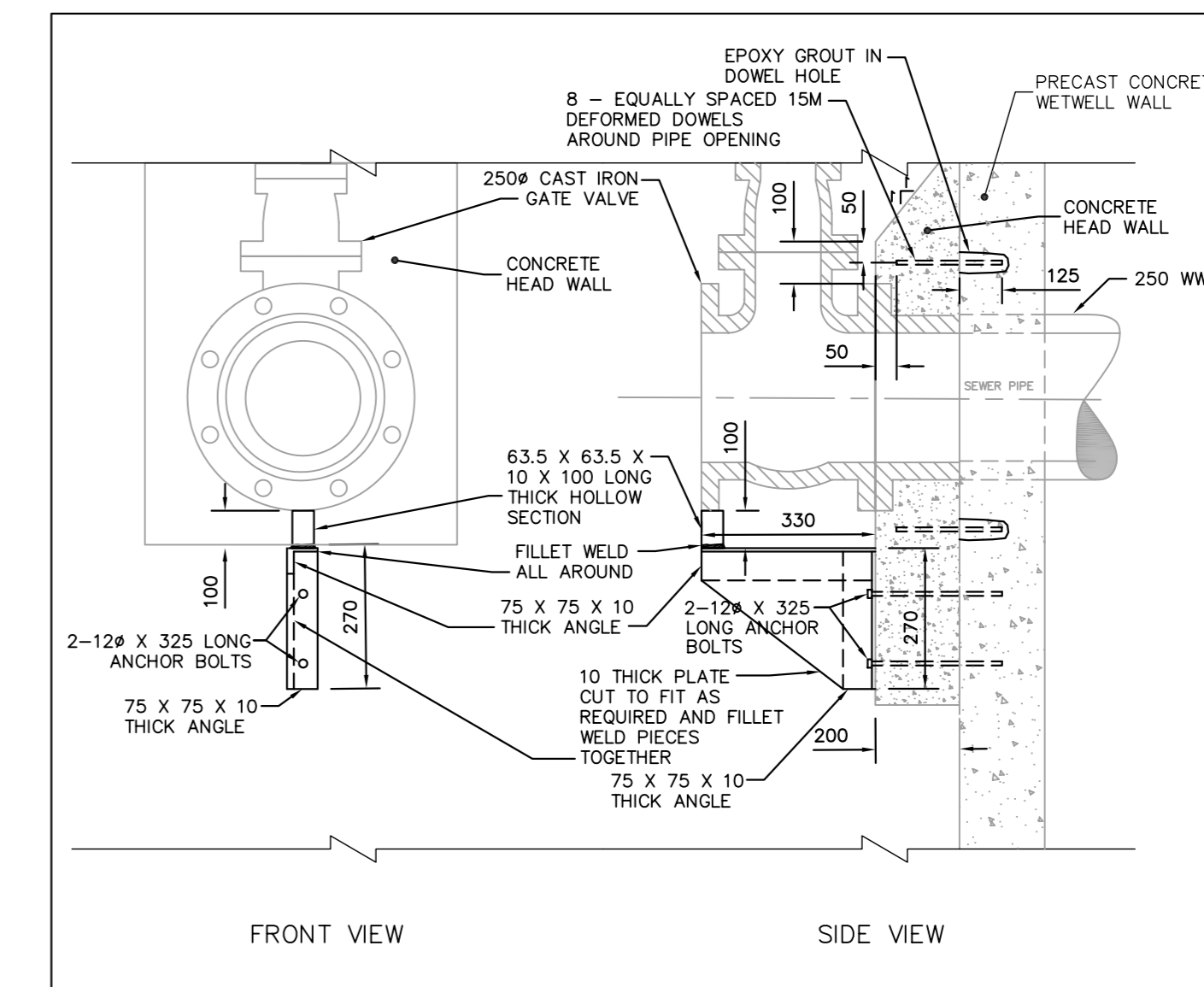


NOTE: HINGE VIEW FROM BELOW

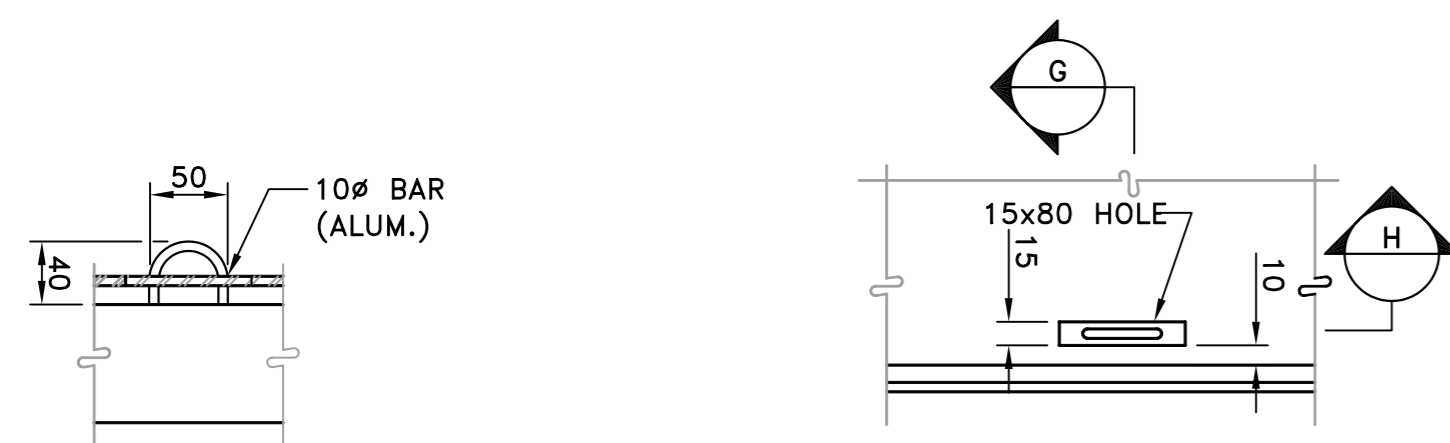
**2 DETAIL**  
1:5



**VALVE STEM EXTENSION**  
SCALE N.T.S.



**VALVE SUPPORT DETAIL**  
SCALE N.T.S.



2 REQUIRED PER HATCH

**H SECTION**  
1:5

**3 HATCH LOCK HASP PLAN**  
1:5

**WARNING**  
IF POWER EQUIPMENT OR EXPLOSIVES ARE TO BE USED FOR EXCAVATION ON THIS PROJECT THE CONTRACTOR MUST:  
1) NOTIFY THE GAS COMPANY OF THE PROPOSED LOCATION OF EXCAVATION.  
2) TAKE PRECAUTION TO AVOID DAMAGE TO GAS COMPANY INSTALLATIONS.  
SEE PROVINCIAL REGULATION 210/72 FOR DETAILS

**METRIC**  
WHOLE NUMBERS INDICATE MILLIMETRES  
DECIMALIZED NUMBERS INDICATE METRES

B.M. ELEV.	FIELD BOOK #	<b>CITY OF WINNIPEG WATER AND WASTE ENGINEERING DIVISION</b>		ENGINEER'S SEAL	<b>Winnipeg</b> <b>THE CITY OF WINNIPEG</b> WATER AND WASTE DEPARTMENT	2005 CRESCENT DRIVE WASTEWATER SEWER AND PUMPING STATION CONSTRUCTION <b>WASTEWATER PUMPING STATION PRE-CAST CONCRETE OPTION</b> MISCELLANEOUS DETAILS	SHEET 5 OF 9 CITY DRAWING NUMBER <b>05692</b>
POSTED TO LBIS		DESIGNED BY: DB	CHECKED BY: TW	ORIGINAL SIGNED BY: K.R. ZUREK 05/09/29			
		DRAWN BY: CJH	APPROVED BY: KZ				
		HOR. SCALE: AS	RELEASED FOR CONSTRUCTION				
		VERTICAL: SHOWN					
NO.	REVISIONS	DATE	BY	DATE	2005 09 29		