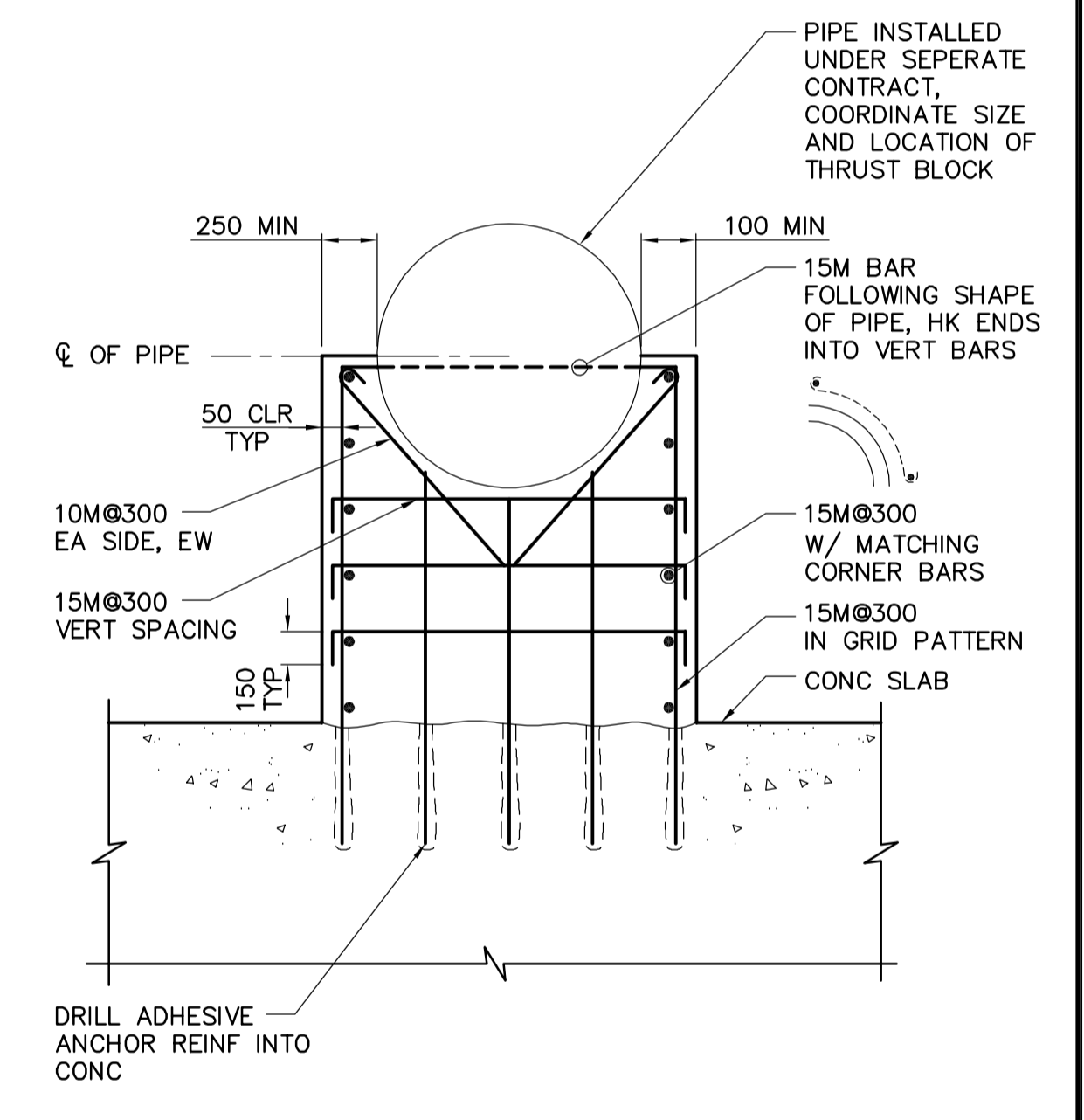


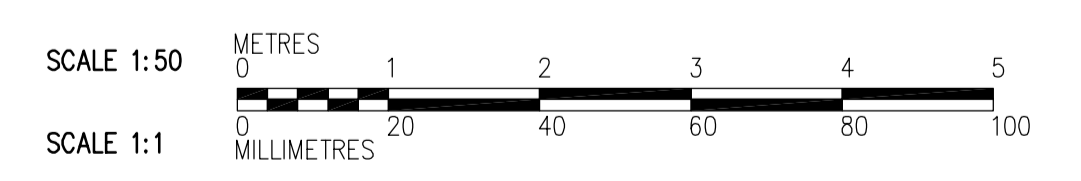
NOTES:

1. SEE PLANS FOR SLAB REINFORCEMENT.
2. SEE DWG WA-S0515 FOR BEAM AND COLUMN SCHEDULES.



PIPE THRUST BLOCK REINFORCING

1 DETAIL
WA-S0101 NTS



C SECTION
WA-S0101 1:50
WA-S0111, WA-S0121,
WA-S0131, WA-S0141

D SECTION
WA-S0101 1:50
WA-S0111, WA-S0121,
WA-S0131, WA-S0141



NO.	REVISIONS	DATE	BY
01	583-2005 ADDENDUM 3	06/03/10	MC
00	ISSUED FOR TENDER	2006/02/03	MC

CH2MHILL Frederickson Cooper ARCHITECTS		EarthTech A Tetra International Ltd. Company	
DESIGNED BY	MC	CHECKED BY	AP
DRAWN BY	RL	APPROVED BY	DJT
SCALE:	1:50	RELEASED FOR CONSTRUCTION BY:	R. SOROKOWSKI
DATE	2008/08/04	DATE	2006/02/08

ENGINEER'S SEAL
ORIGINAL SIGNED BY
D. KRUGER
2006/02/06
CONSULTANT DRAWING NO.
WA-S0203

THE CITY OF WINNIPEG
WATER AND WASTE DEPARTMENT
ENGINEERING DIVISION

WATER TREATMENT PLANT
ADMINISTRATION
FOUNDATIONS AND CONCRETE STRUCTURES

STRUCTURAL
ADMINISTRATION AREA
SECTIONS

CITY FILE NUMBER
SHEET OF
CITY DRAWING NUMBER
1-0601A-A-50203-001-0D